



A TEREX BRAND

Parts Manual

Serial Number Range

GS-2669DC

from SN GS6912-1300

GS-3369DC

GS-4069DC

Part No. 237928

Rev C4

January 2015

Technical Publications

Genie has endeavored to deliver the highest degree of accuracy possible. However, continuous improvement of our products is a Genie policy. Therefore, product specifications are subject to change without notice.

Readers are encouraged to notify Genie of errors and send in suggestions for improvement. All communications will be carefully considered for future printings of this and all other manuals.


Contact Us:

Internet: www.genielift.com

E-mail: AWP.techpub@terex.com

Copyright © 2011 by Terex Corporation
237928 Rev C August 2014
First Edition, Third Printing

Genie is a registered trademark of Terex South Dakota in the USA and many other countries. "GS" is a trademark of South Dakota, Inc.

 Printed on recycled paper



Model: GS-3369
Serial number: GS6912-1301
Model year: 2012 **Manufacture date:** 05/10/12
Electrical schematic number: Es0539
Machine unladen weight: 7,672 lb / 3,480 kg

Rated work load (including occupants): 1,000 lb / 454 kg

Maximum allowable inclination of the chassis:

N/A

Gradeability: N/A

Maximum allowable side force : 200 lb / 890 N

Maximum number of platform occupants: 4

Country of manufacture: USA

This machine complies with:

ANSI A92.6
B354.2

Terex South Dakota, Inc.

500 Oak Wood Road

PO Box 1150

Watertown SD US 57201

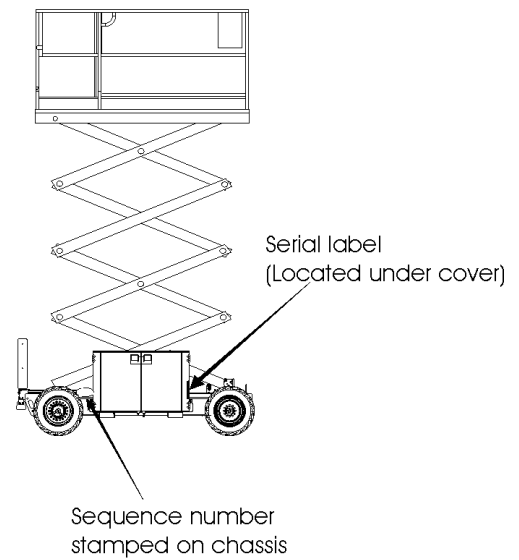
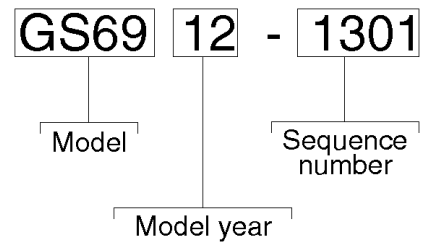


Table of Contents

This manual is updated frequently. If you have a printed manual, you can keep it up to date by downloading new figures from the Genie website at www.genielift.com. For the most up-to-date parts information, visit the Parts Lookup System on the Genie website at www.genielift.com.

How to Read Your Serial Number.....	3
Parts Stocking List.....	7
How to Order Parts.....	8
Service Parts Fax Order Form.....	9

Electronic Version

Click on any page number to view the figure.

100 Decals

101.1 Decals with Words, GS-2669, Battery Side.....	10
102.1 Decals with Words, GS-2669, Controls Side.....	12
103.1 Decals with Words, GS-2669, Platform, ANSI & CSA.....	14
104.1 Decals with Words, GS-2669, Platform, AUS.....	16
105.1 Decals with Symbols, GS-2669, Battery Side.....	18
106.1 Decals with Symbols, GS-2669, Controls Side.....	20
107.1 Decals with Symbols, GS-2669, Platform, Asia & S. America.....	22
108.1 Decals with Symbols, GS-2669, Platform, CE.....	24
109.1 Decals with Words, GS-3369, Battery Side.....	26
110.1 Decals with Words, GS-3369, Controls Side.....	28
111.1 Decals with Words, GS-3369, Platform, ANSI & CSA.....	30
112.1 Decals with Words, GS-3369, Platform, AUS.....	32
113.1 Decals with Symbols, GS-3369, Battery Side.....	34
114.1 Decals with Symbols, GS-3369, Controls Side.....	36
115.1 Decals with Symbols, GS-3369, Platform, Asia & S. America.....	38
116.1 Decals with Symbols, GS-3369, Platform, CE.....	40
117.1 Decals with Words, GS-4069, Battery Side.....	42
118.1 Decals with Words, GS-4069, Controls Side.....	44
119.1 Decals with Words, GS-4069, Platform, ANSI & CSA.....	46
120.1 Decals with Words, GS-4069, Platform, AUS.....	48
121.1 Decals with Symbols, GS-4069, Battery Side.....	50
122.1 Decals with Symbols, GS-4069, Controls Side.....	52
123.1 Decals with Symbols, GS-4069, Platform, Asia & S. America.....	54
124.1 Decals with Symbols, GS-4069, Platform, CE.....	56

200 Drive Chassis Components

201.1 Steer Axle Linkage, Wheels and Drive Motors.....	58
202.1 Steer Axle Linkage, Oscillation.....	62
203.1 Non-Steer Axle and Drive Motors.....	64
204.1 Ladder and Counterweight.....	66
205.1 Drive Chassis, Safety Components.....	68

300 Chassis Tray Components

301.1 Hydraulic Tank and Ground Controls Installation.....	70
302.1 Hydraulic Tray Components, View 1.....	72
303.1 Hydraulic Tray Components, View 2.....	74
304.1 Battery Tray Components, View 1.....	76
305.1 Battery Tray Components, View 2.....	78
306.1 Ground Controls.....	80
307.1 Chassis Cover Installation (to SN GS6914-3661)....	82
307.2 Chassis Cover Installation (from SN GS6914-3662)..	84
308.1 Power Cables.....	86
309.1 Electrical Wiring.....	88

400 Scissor Components

401.1 Scissor Components, GS-2669DC.....	90
402.1 Scissor Components, GS-3369DC, View 1.....	92
403.1 Scissor Components, GS-3369DC, View 2.....	94
404.1 Scissor Components, GS-4069DC, View 1.....	96
405.1 Scissor Components, GS-4069DC, View 2.....	98

500 Platform Components

501.1 Platform Installation, GS-2669.....	100
502.1 Platform Installation, GS-3369 & GS-4069.....	102
503.1 Platform Railing Installation.....	104
504.1 Platform Entry Gate.....	106
505.1 Platform Extension.....	108
506.1 Platform Extension Deck Lock.....	110
507.1 Power to Platform.....	112
508.1 Platform Controls, 7 and 5 Button (2 Speed Lift)....	114
509.1 Platform Controls, 5 and 3 Button (Proportional Lift)..	118
510.1 Platform Controls Joystick.....	120

600 Hydraulic Components

601.1 Function Manifold.....	122
602.1 Oscillate Cylinder Assembly, All Models.....	124
603.1 Lift Cylinders.....	126
604.1 Hydraulic Hoses and Fitting, Lift Cylinder, GS-4069..	128
605.1 Hydraulic Hoses and Fittings.....	130

700 Accessories

701.1 Flashing and Motion Beacon.....	132
702.1 Outrigger Installation, View 1.....	134
703.1 Outrigger Installation, View 2.....	136

704.1 Outrigger Manifold.....138
705.1 Outrigger Cylinders, All Models.....140
706.1 Hydraulic Hoses and Fittings, Outrigger.....142
707.1 Air to Platform.....144
708.1 Link Guard, CE and Australia.....146

Indices

Part Number Index.....148
Part Description Index.....152

Cross References

Fittings Cross Reference.....158

Required Parts

The following parts are required to perform maintenance procedures as outlined in the *Genie GS-69 DC Service Manual*.

Description	Part No.
Plug and Cap Kit (for ORFS fittings).....	49613
Dielectric Grease.....	66399
Hydraulic Filter.....	60857
Cotter Pin.....	45114
Hydraulic Tank Cap (models w/opt. hyd fluid)	131658

Recommended Parts

Description	Part No.
Genie Blue Paint, 1 Gallon	32150
Genie Blue Paint, 12 Ounce Aerosol.....	1484
Genie Gray Paint, 1 Gallon.....	32151
Genie Gray Paint, 12 Ounce Aerosol	1268

Manuals

Genie Industries offers the following support documents for these models:

Title	Part No.
Genie GS-69 DC Operator's Manual, ANSI/CSA models	236445
Genie GS-69 DC Service Manual	214415
EMI Safety Manual	27581
Manual of Responsibilities	
ANSI A92.6	44163

How To Order Parts

Please be prepared with the following information when ordering replacement parts for your Terex or Genie product:

- Machine model number
- Machine serial number
- Part number
- Part description and quantity
- Purchase order number
- "Ship to" address
- Desired method of shipment
- Name and telephone number of the authorized distributor in your area

Use the Service Parts Fax Order Form on the next page and fax your order to our Parts Department.

If you don't know the name of your authorized distributor, or if your area is not currently serviced by an authorized distributor, please call Terex or Genie Industries.

Machine Information

Model

Serial Number

Date of Purchase

Authorized Genie Distributor

Phone Number

North America

Telephone (425) 556-6551
 Toll Free (877) 367-5606 in U.S.A. and Canada
 Fax (425) 556-8659
 Toll Free Fax (888) 274-6192

Europe

Parts Telephone (31) (165) 519 313
 Parts Fax (31) (165) 511 148

Australia

Parts Telephone (61) (7) 3456 4444
 Parts Fax (61) (7) 3456 4466

South America

Parts Telephone (55) (11) 4082 5600
 Parts Fax (55) (11) 4082 5630



Service Parts Fax Order Form

Fax to: (425) 556-8659 or Toll Free: 888-274-6192
International: +1-425-556-8659

Please fill out completely

Date _____ Account Number _____
 Your Name _____ Your Fax Number _____
 _____ Your Phone Number _____
 Bill To _____ Ship To _____

 Purchase Order Number _____ Ship Via _____

Model(s) _____ **Serial No.(s)** _____
Optional Equipment _____

Part Number	Description	Quantity	Price

All back-ordered parts will be shipped when available via the same ship method as the original order unless Noted below:

- Ship complete order only - No back orders
- Ship all available parts and contact customer on disposition of back-ordered parts
- Other (please specify)

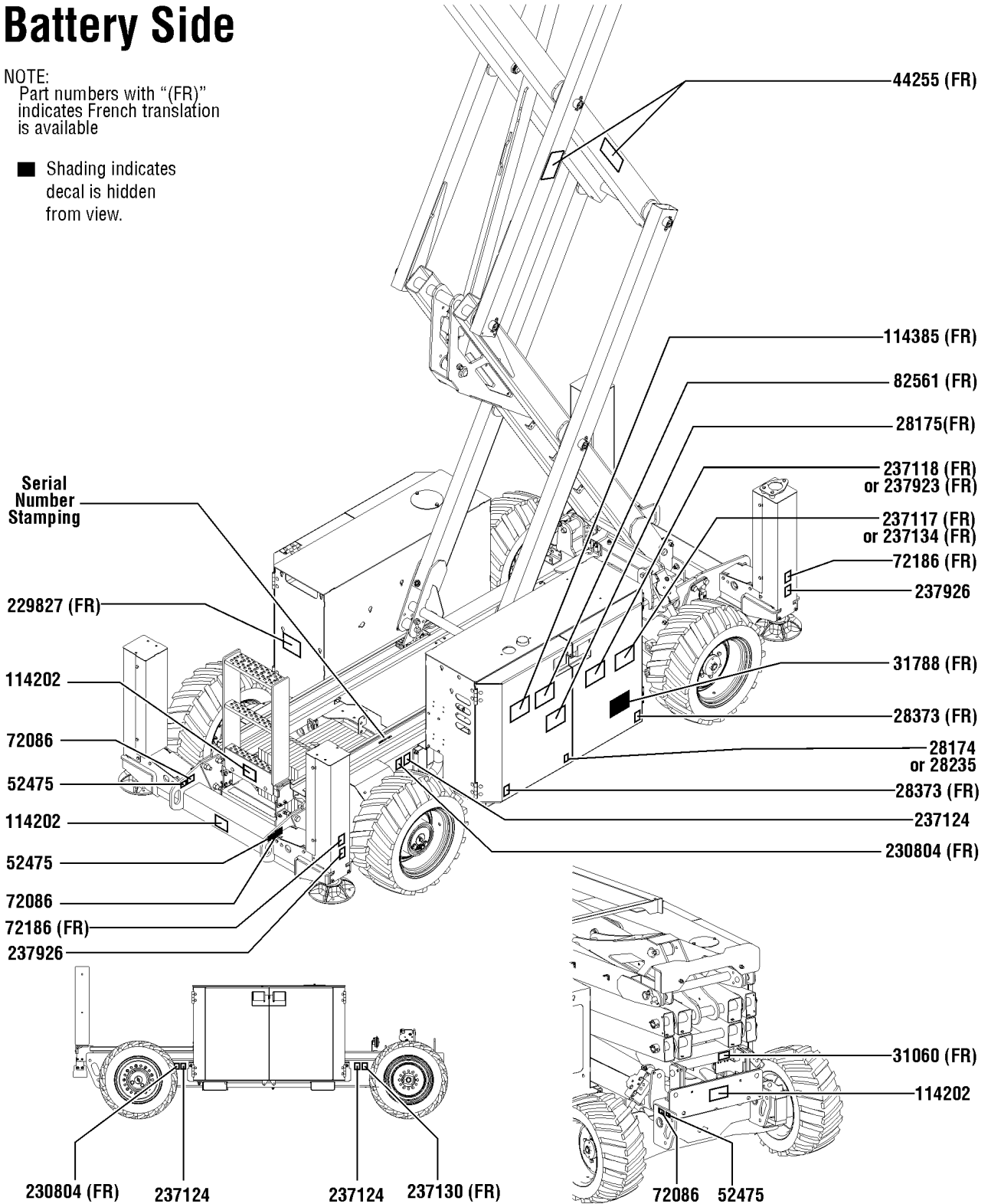


101.1 Decals with Words, GS-2669, Battery Side

Battery Side

NOTE:
Part numbers with "(FR)" indicates French translation is available

■ Shading indicates decal is hidden from view.



101.1 Decals with Words, GS-2669, Battery Side

Item	Part No.	Description	Qty.	Item	Part No.	Description	Qty.
--	216826	DECAL KIT,2669DC COMP,WRD,ANSI <i>(Decal kit, complete for ANSI models only) to SN GS6914-5499</i>		17	237118	DECAL,BATT CONN DIAGRAM,J305.....1 <i>(option)</i>	
--	216827	DECAL KIT,2669DC PLAT,WRDS,ANSI <i>(Decal kit, platform for ANSI models only) to SN GS6914-5499</i>		18	237124	DECAL,LABEL,WHEEL LD,GS2669DC.....2	
--	216874	DECAL KIT,2669DC COMP,WRD,AUS <i>(Decal kit, complete for AUS models only) to SN GS6914-5499</i>		19	237130	DECAL,NOTICE,TIRE SPECS, FRONT.....1 <i>(steer end)</i>	
--	216875	DECAL KIT,2669DC PLAT,WRDS,AUS <i>(Decal kit, platform for AUS models only) to SN GS6914-5499</i>		20	237134	DECAL,DANGER-TIP-OVR,BATT,T105.1 GS-2669 DC and GS-3369 DC ONLY	
1	28174	DECAL,POWER TO PLATFORM 230V.....1		21	237923	DECAL,BATT CONN DIAGRAM,T105.....1 <i>(GS-2669 DC and GS-3369 DC ONLY</i>	
2	28175	DECAL,COMPARTMENT ACCESS.....1		22	237926	DECAL,LABEL,OUTRIGGER LD.....2 <i>(option)</i>	
3	28235	DECAL,POWER TO PLATFORM 115V.....1					
4	28373	DECAL,FORK LIFT POCKET.....2					
5	31060	DECAL,DANGER DO NOT ALTER SWTC.....1					
6	31788	DECAL,DANGER,BATTERY SAFETY***.....1					
7	44255	DECAL,DANGER,CRUSHING HAZARD.....2					
8	52475	DECAL,LABEL,TRANSPORT TIEDOWN*.....3					
9	72086	DECAL,LABEL,LIFTING EYE.....3					
10	72186	DECAL,WARNING,CRUSHING HAZARD.....2 <i>(option)</i>					
11	82561	DECAL,DANGER-USE SAFETY ARM.....1					
12	114202	DECAL,LABEL,TRANSPORT TIE 68.....3					
13	114385	DECAL,DANGER,ELEC HAZARD,GS.....1					
14	229827	DECAL,WARNING,HOT SURFACE.....1					
15	230804	DECAL,NOTICE,TIRE SPECS, REAR.....1 <i>(non-steer end)</i>					
16	237117	DECAL,DANGER-TIP-OVR,BATT,J305.1 <i>(option)</i>					

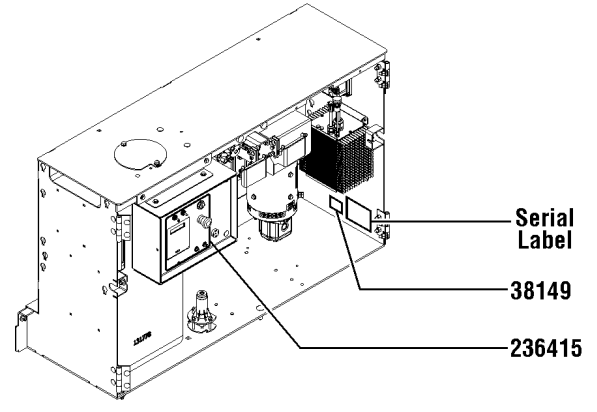
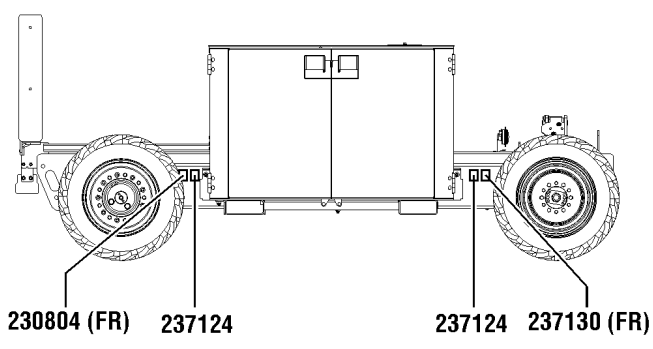
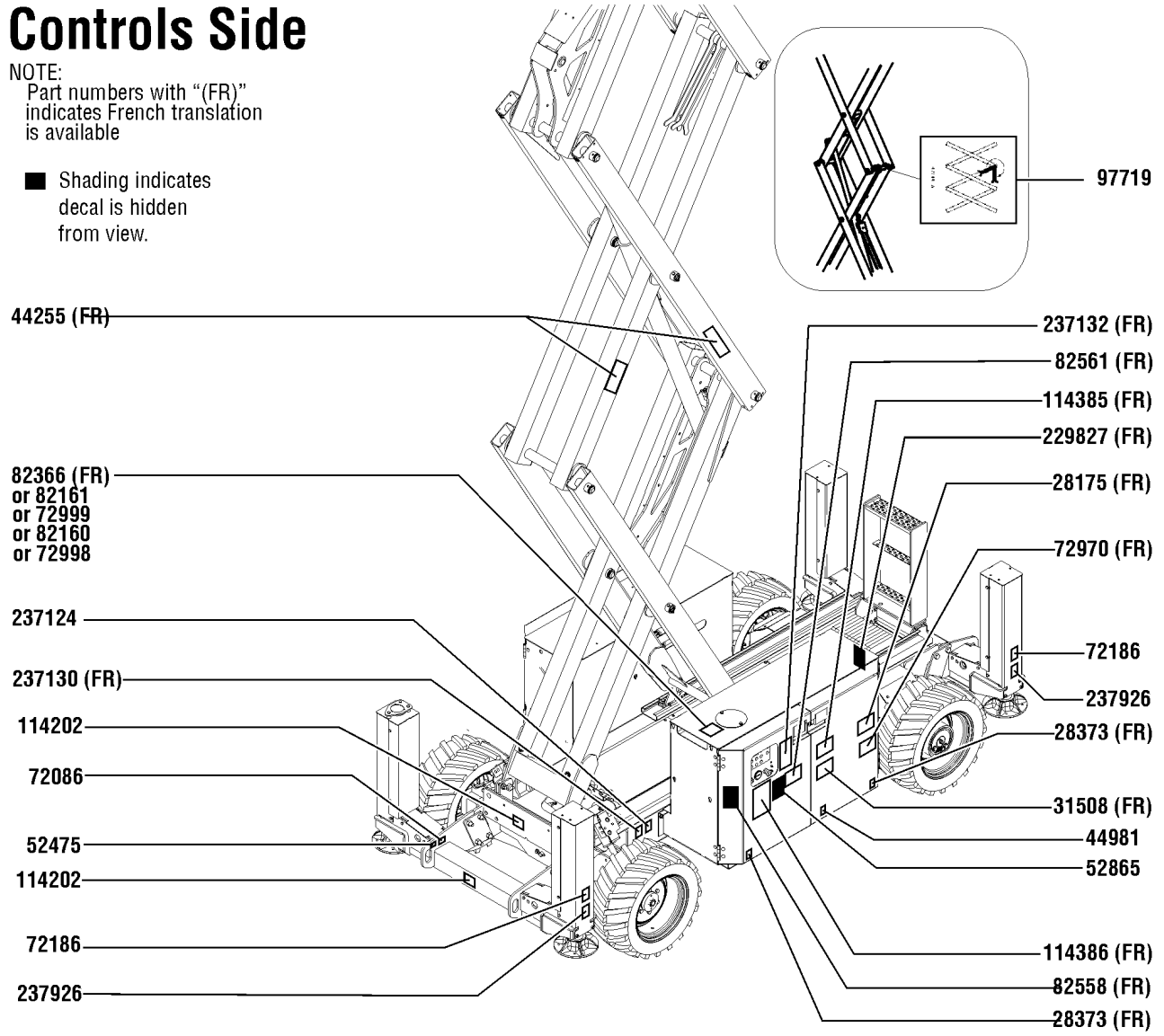


102.1 Decals with Words, GS-2669, Controls Side

Controls Side

NOTE:
Part numbers with "(FR)" indicates French translation is available

■ Shading indicates decal is hidden from view.



102.1 Decals with Words, GS-2669, Controls Side

Item	Part No.	Description	Qty.	Item	Part No.	Description	Qty.
--		Ref. Word Decal Kits <i>(refer to 101.1)</i>		21	97719	DECAL, LABEL, SAFETY ARM SYMB.....	1
1	28174	DECAL,POWER TO PLATFORM 230V.....	1	22	114202	DECAL,LABEL,TRANSPORT TIE 68.....	2
2	28175	DECAL,COMPARTMENT ACCESS.....	1	23	114385	DECAL,DANGER,ELEC HAZARD,GS.....	1
3	28235	DECAL,POWER TO PLATFORM 115V.....	1	24	114386	DECAL,DANGER-GEN SAFETY.....	1
4	28373	DECAL,FORK LIFT POCKET.....	2	25	229827	DECAL,WARNING,HOT SURFACE.....	1
5	31508	DECAL,DANGER,ELECT HAZARD,PLUG.....	1	26	230804	DECAL,NOTICE,TIRE SPECS, REAR..... <i>(non-steer end)</i>	1
6	38149	DECAL,LABEL,PATENTS..... <i>(US Only)</i>	1	27	236415	DECAL, GROUND CONTROL PANEL, G.....	1
7	44255	DECAL,DANGER,CRUSHING HAZARD.....	2	28	237124	DECAL,LABEL,WHEEL LD,GS2669DC.....	3
8	44981	DECAL,LABEL,AIRLINE 110 PSI..... <i>(option)</i>	1	29	237130	DECAL,NOTICE,TIRE SPECS, FRONT..... <i>(steer end)</i>	2
9	52475	DECAL,LABEL,TRANSPORT TIEDOWN*.....	1	30	237132	DECAL,GRND OPS INSTRUCT,GS69DC.....	1
10	52865	DECAL,ANNUAL INSP***.....	1	31	237926	DECAL,LABEL,OUTRIGGER LD..... <i>(option)</i>	2
11	72086	DECAL,LABEL,LIFTING EYE.....	1				
12	72186	DECAL,WARNING,CRUSHING HAZARD..... <i>(option)</i>	2				
13	72970	DECAL,INSTRUCTIONS-CHARGER OP.....	1				
14	72998	DECAL,LABEL,QUINTOLUBRIK..... <i>(For models with Quintolub hydraulic oil only)</i>	1				
15	72999	DECAL,LABEL,PETRO CANADA***..... <i>(For models with Petro Canada hydraulic oil only)</i>	1				
16	82160	DECAL,LABEL,STATOIL HYDRA WAY..... <i>(For models with Statoil hydraulic oil only)</i>	1				
17	82161	DECAL,LABEL,UCON HYDROLUBE..... <i>(For models with Ucon Hydrolube hydraulic oil only)</i>	1				
18	82366	DECAL,CHEVRON RANDO HD..... <i>(For models with Chevron Rando hydraulic oil only)</i>	1				
19	82558	DECAL,SKIN INJECTION.....	1				
20	82561	DECAL,DANGER-USE SAFETY ARM.....	1				

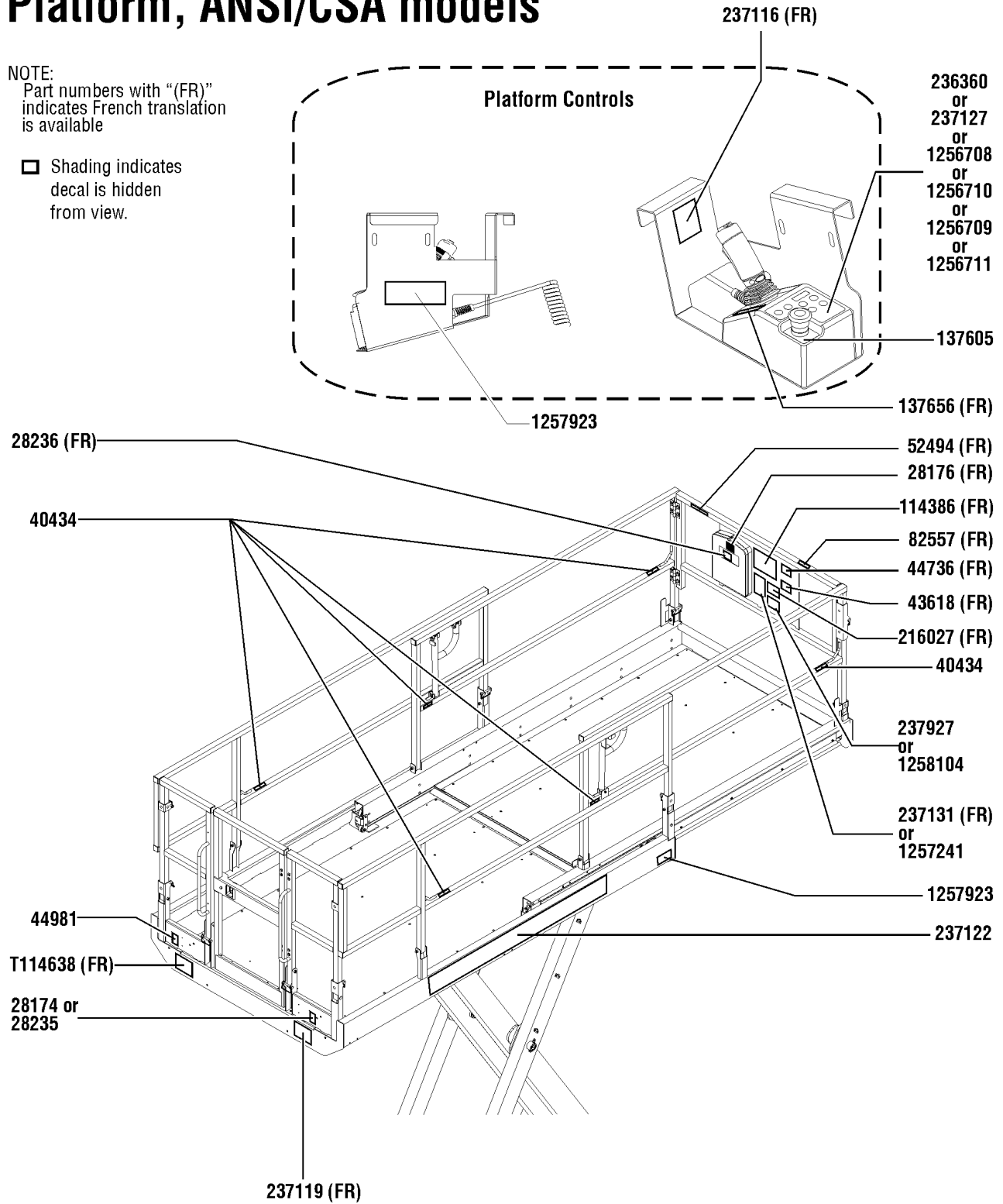


103.1 Decals with Words, GS-2669, Platform, ANSI & CSA

Platform, ANSI/CSA models

NOTE:
Part numbers with "(FR)" indicates French translation is available

☐ Shading indicates decal is hidden from view.



103.1 Decals with Words, GS-2669, Platform, ANSI & CSA

Item	Part No.	Description	Qty.	Item	Part No.	Description	Qty.
--		Ref. Word Decal Kits <i>(refer to 101.1)</i>		21	237927	DECAL,DANGER,OUTRIGGER SAFETY.....1 <i>(models with outriggers and 2 speed controller) to SN GS6914-5499</i>	1
1	28174	DECAL,POWER TO PLATFORM 230V.....1 <i>(option)</i>	1	22	T114638	DECAL,NOTICE,MAX CAP GS2669.....1	1
2	28176	DECAL,LABEL,MANUAL NOT HERE.....1	1	23	1256708	DECAL,STD,PROP LIFT,69DC,UI....1 <i>(models without outriggers and with 3 button, proportional controller)</i>	1
3	28235	DECAL,POWER TO PLATFORM 115V.....1 <i>(option)</i>	1	24	1256709	DECAL, STD, PROP LIFT, 69DC, U.....1 <i>(models without outriggers that are converted from 5 button, 2 speed lift to 3 button, proportional controller)</i>	1
4	28236	DECAL,WARN,IMPROPER OPERATION.....1	1	25	1256710	DECAL,O/R,PROP LIFT,69DC,UI....1 <i>(models with outriggers 5 button, proportional controller)</i>	1
5	40434	DECAL,LANYARD ANCHORAGE POINT.....6	6	26	1256711	DECAL, O/R, PROP LIFT, 69DC, U.....1 <i>(models with outriggers that are converted from 7 button, 2 speed lift to 5 button, proportional controller)</i>	1
6	43618	DECAL,LABEL-DIRECTION ARROWS.....1	1	27	1257396	DECAL,OP,INSTR,PLAT,69DC,AUS.1 <i>(models with proportional controller)</i>	1
7	44736	DECAL,DANGER,TIP-OVER,TILT....1	1	28	1257923	DECAL, SMARTLINK PROPORTIONAL.....2 <i>(models with proportional controller)</i>	2
8	44981	DECAL,LABEL,AIRLINE 110 PSI.....1 <i>(option)</i>	1	29	1258104	DECAL,DANGER,OUTRIGGER SAFETY.....1 <i>(models with outriggers and proportional controller)</i>	1
9	52494	DECAL,CAUTION,CRUSH HAZ, RAILS.....1	1				
10	82557	DECAL,LABEL,PLAT CONT LOCATION.....1	1				
11	114386	DECAL,DANGER-GEN SAFETY.....1	1				
12	137605	DECAL,E-STOP,GR/GRC/GS PCON.....1	1				
13	137656	DECAL,PROPEL,GR/GRC/GS,PCON.1	1				
14	216027	DECAL,DANGER-RUNAWAY HAZARD,SLOPE.....1	1				
15	236360	DECAL, UI, GS69DC,PCON.....1 <i>(models without outriggers and with 5 button, 2 speed controller) to SN GS6914-5499</i>	1				
16	237116	DECAL,LABEL,FAULT CODES,69DC.....1	1				
17	237119	DECAL,NOTICE,SIDE FRC GS2669DC.....1	1				
18	237122	DECAL,COSMETIC GENIE GS-2669DC.....1	1				
19	237127	DECAL,UI,GS69DC W/OR,PCON....1 <i>(models with outriggers and 7 button, 2 speed controller) to SN GS6914-5499</i>	1				
20	237131	DECAL,PLAT OPS INSTRUCT,GS69DC.....1 <i>(models with 2 speed controller) to SN GS6914-5499</i>	1				

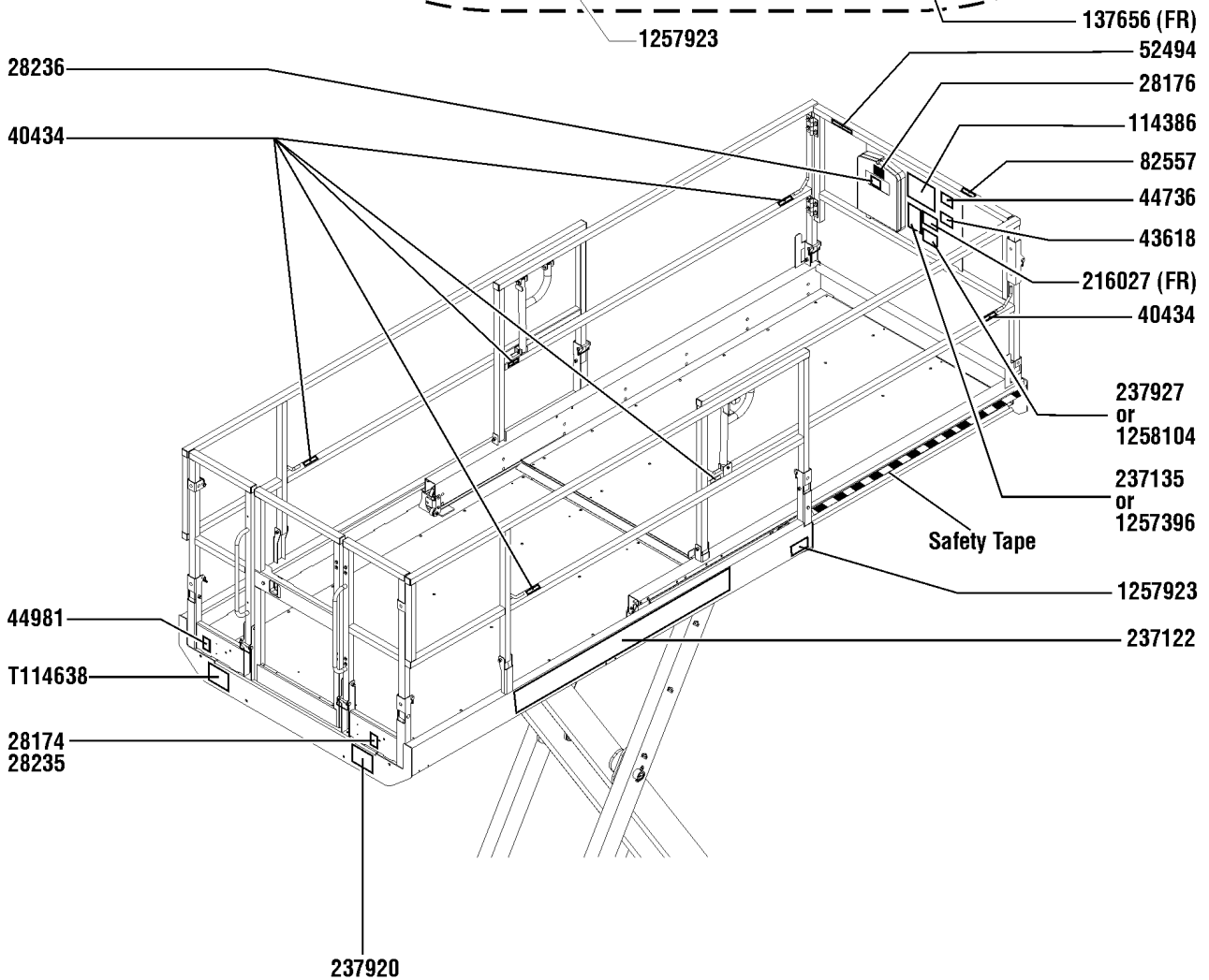
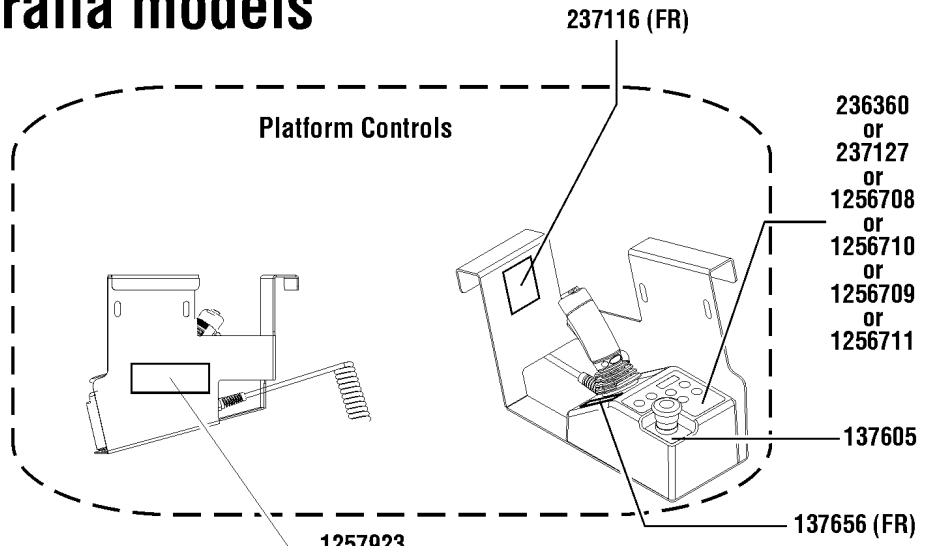


104.1 Decals with Words, GS-2669, Platform, AUS

Platform, Australia models

NOTE:
Part numbers with "(FR)" indicates French translation is available

☐ Shading indicates decal is hidden from view.



104.1 Decals with Words, GS-2669, Platform, AUS

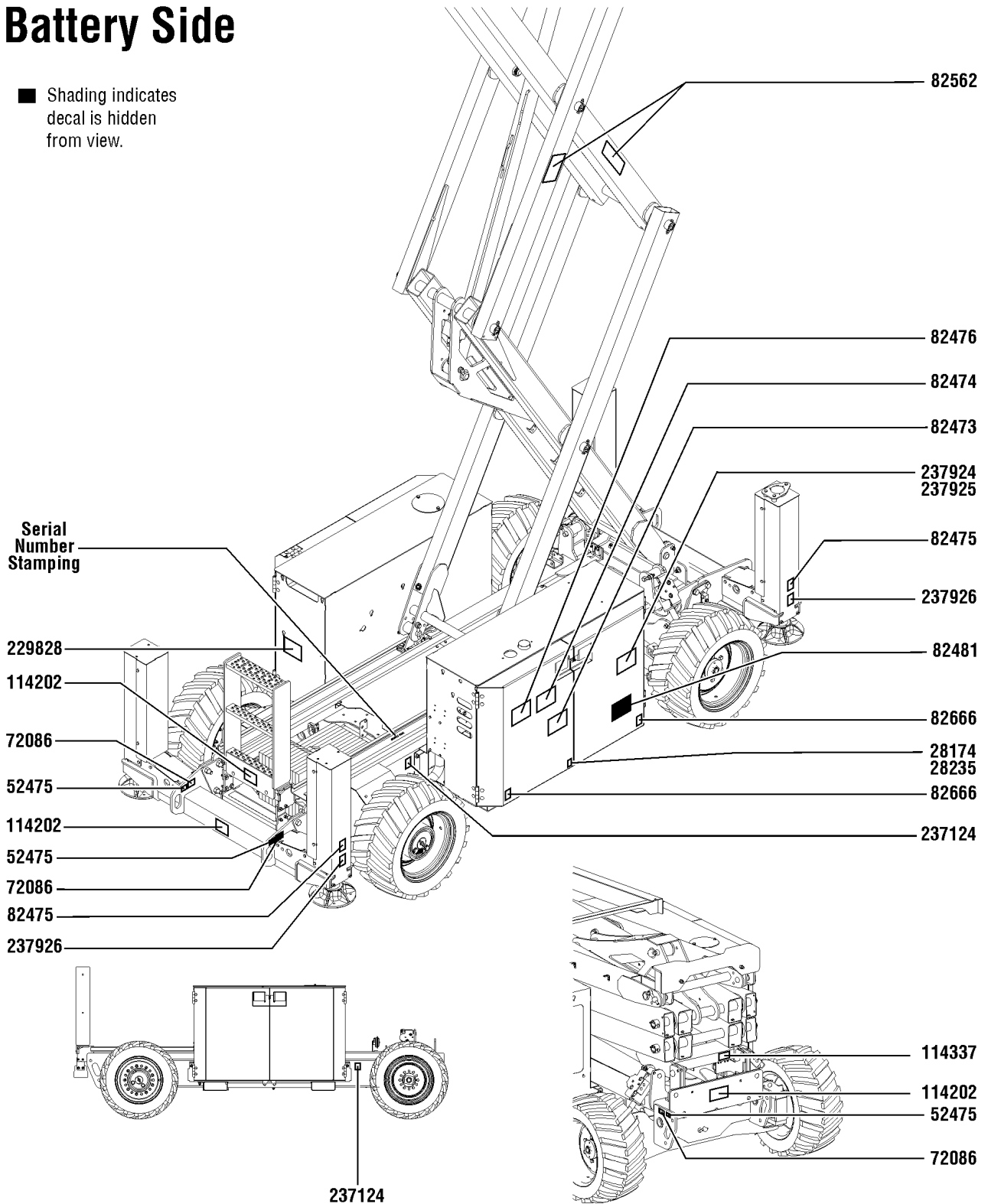
Item	Part No.	Description	Qty.	Item	Part No.	Description	Qty.
--		Ref. Word Decal Kits <i>(refer to 101.1)</i>		21	237927	DECAL,DANGER,OUTRIGGER SAFETY.....1 <i>(models with outriggers and 2 speed controller) to SN GS6914-5499</i>	1
1	28174	DECAL,POWER TO PLATFORM 230V.....1	1	22	T114638	DECAL,NOTICE,MAX CAP GS2669.....1	1
2	28176	DECAL,LABEL,MANUAL NOT HERE.....1	1	23	1256708	DECAL,STD,PROP LIFT,69DC,UI....1 <i>(models without outriggers and with 3 button, proportional controller)</i>	1
3	28235	DECAL,POWER TO PLATFORM 115V.....1	1	24	1256709	DECAL, STD, PROP LIFT, 69DC, U.....1 <i>(models without outriggers that are converted from 5 button, 2 speed lift to 3 button, proportional controller)</i>	1
4	28236	DECAL,WARN,IMPROPER OPERATION.....1	1	25	1256710	DECAL,O/R,PROP LIFT,69DC,UI....1 <i>(models with outriggers 5 button, proportional controller)</i>	1
5	40434	DECAL,LANYARD ANCHORAGE POINT.....6	6	26	1256711	DECAL, O/R, PROP LIFT, 69DC, U.....1 <i>(models with outriggers that are converted from 7 button, 2 speed lift to 5 button, proportional controller)</i>	1
6	43618	DECAL,LABEL-DIRECTION ARROWS.....1	1	27	1257396	DECAL,OP,INSTR,PLAT,69DC,AUS.1 <i>(models with proportional controller)</i>	1
7	44736	DECAL,DANGER,TIP-OVER,TILT....1	1	28	1257923	DECAL, SMARTLINK PROPORTIONAL.....2 <i>(models with proportional controller)</i>	2
8	44981	DECAL,LABEL,AIRLINE 110 PSI....1 <i>(option)</i>	1	29	1258104	DECAL,DANGER,OUTRIGGER SAFETY.....1 <i>(models with outriggers and proportional controller)</i>	1
9	52494	DECAL,CAUTION,CRUSH HAZ, RAILS.....1	1				
10	82557	DECAL,LABEL,PLAT CONT LOCATION.....1	1				
11	114386	DECAL,DANGER-GEN SAFETY.....1	1				
12	137605	DECAL,E-STOP,GR/GRC/GS PCON.....1	1				
13	137656	DECAL,PROPEL,GR/GRC/GS,PCON.1	1				
14	216027	DECAL,DANGER-RUNAWAY HAZARD,SLOPE.....1	1				
15	236360	DECAL, UI, GS69DC,PCON.....1 <i>(models without outriggers and with 5 button, 2 speed controller) to SN GS6914-5499</i>	1				
16	237116	DECAL,LABEL,FAULT CODES,69DC.....1	1				
17	237122	DECAL,COSMETIC GENIE GS-2669DC.....1	1				
18	237127	DECAL,UI,GS69DC W/OR,PCON....1 <i>(models with outriggers and 7 button, 2 speed controller) to SN GS6914-5499</i>	1				
19	237135	DECAL,PLAT OPS INSTRUCT,GS69DC.....1 <i>(models with 2 speed controller) to SN GS6914-5499</i>	1				
20	237920	DECAL,NOTICE,SIDE FRC GS2669DC.....1	1				



105.1 Decals with Symbols, GS-2669, Battery Side

Battery Side

■ Shading indicates decal is hidden from view.



105.1 Decals with Symbols, GS-2669, Battery Side

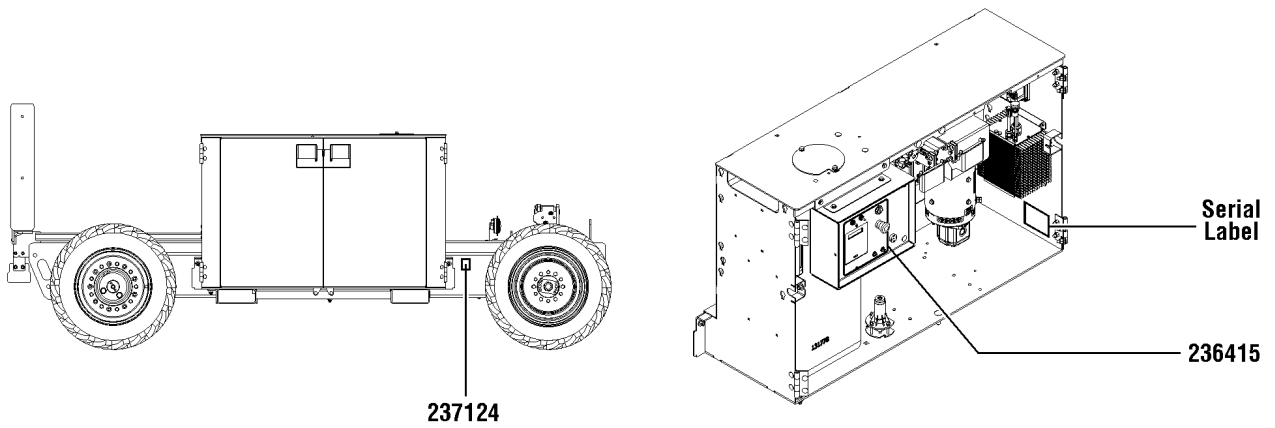
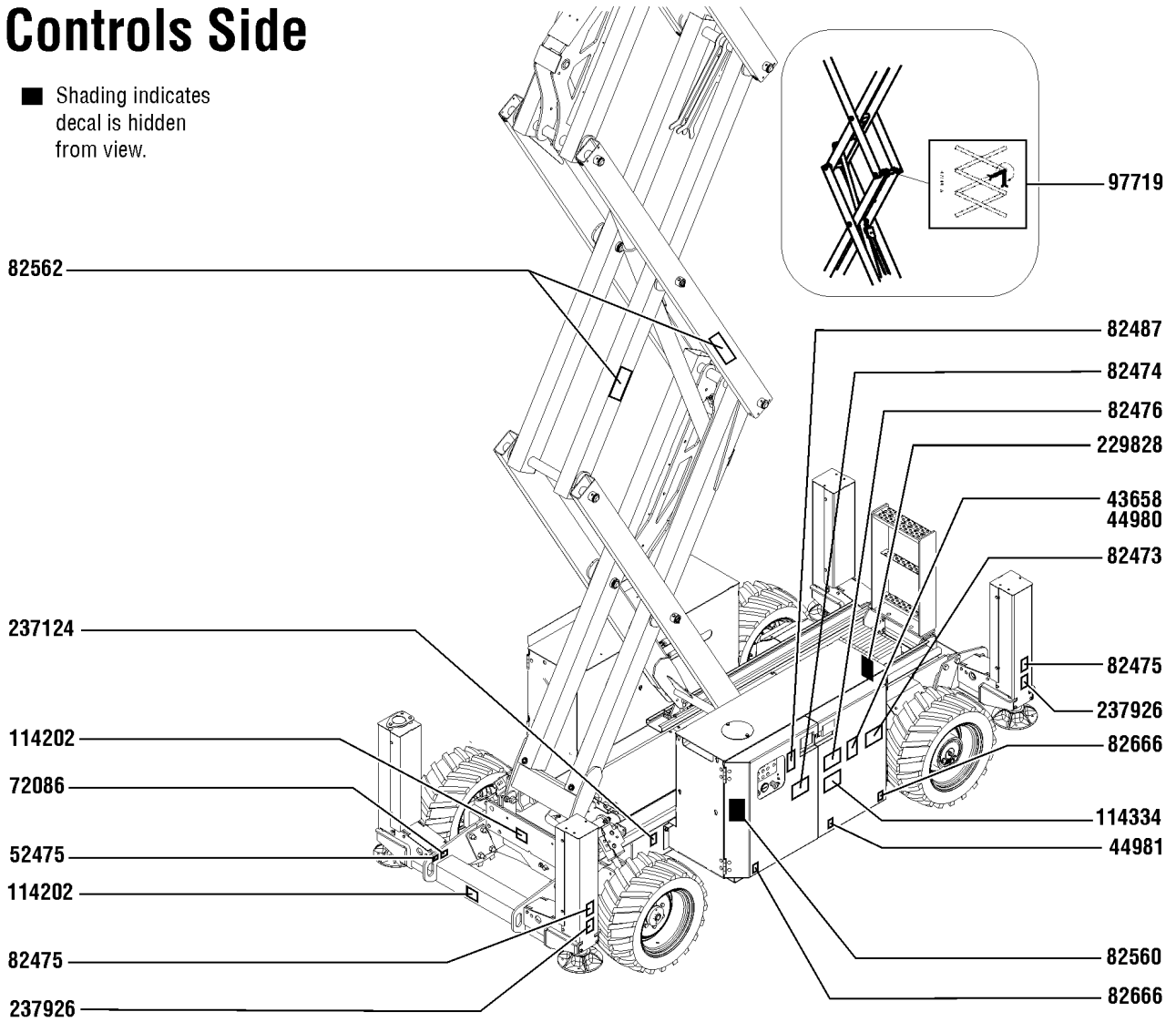
Item	Part No.	Description	Qty.
--	216832	DECAL KIT,2669DC COMP,SYM,ANSI <i>(Decal kit, complete for ANSI models only) to SN GS6914-5499</i>	
--	216880	DECAL KIT,2669DC PLAT,SYM,ANSI <i>(Decal kit, platform for ANSI models only) to SN GS6914-5499</i>	
--	216883	DECAL KIT,2669DC COMP,SYM,CE <i>(Decal kit, complete for CE models only) to SN GS6914-5499</i>	
--	216884	DECAL KIT,2669DC PLAT,SYM,CE <i>(Decal kit, platform for CE models only) to SN GS6914-5499</i>	
1	28174	DECAL,POWER TO PLATFORM 230V.....	1
2	28235	DECAL,POWER TO PLATFORM 115V.....	1
3	52475	DECAL,LABEL,TRANSPORT TIEDOWN*.....	3
4	72086	DECAL,LABEL,LIFTING EYE.....	3
5	82473	DECAL,SYMBOL-COMP ACCESS.....	1
6	82474	DECAL,SYMBOL-USE SAFETY ARM.....	1
7	82475	DECAL,SYMBOL-FOOT CRUSHING.....	2
8	82476	DECAL,SYMBOL-ELEC HAZARD,GS.....	1
9	82481	DECAL,SYMBOL-BATTERY SAFETY.....	1
10	82562	DECAL,SYMBOL-CRUSHING HAZARD.....	2
11	82666	DECAL,LABEL,FORKLIFT POCKET.....	2
12	114202	DECAL,LABEL,TRANSPORT TIE 68.....	3
13	114337	DECAL,SYM-TIP-OVR,LIM SWITCH.....	1
14	229828	DECAL,LABEL,HOT,SYMBOL.....	1
15	237124	DECAL,LABEL,WHEEL LD,GS2669DC.....	2
16	237924	DECAL,DNGR-TIP-OVR,BATT,J305CE.1 <i>(option)</i>	1
17	237925	DECAL,DNGR-TIP-OVR,BATT,T105CE.1 <i>GS-2669 DC and GS-3369 DC ONLY</i>	1
18	237926	DECAL,LABEL,OUTRIGGER LD..... <i>(option)</i>	2



106.1 Decals with Symbols, GS-2669, Controls Side

Controls Side

■ Shading indicates decal is hidden from view.

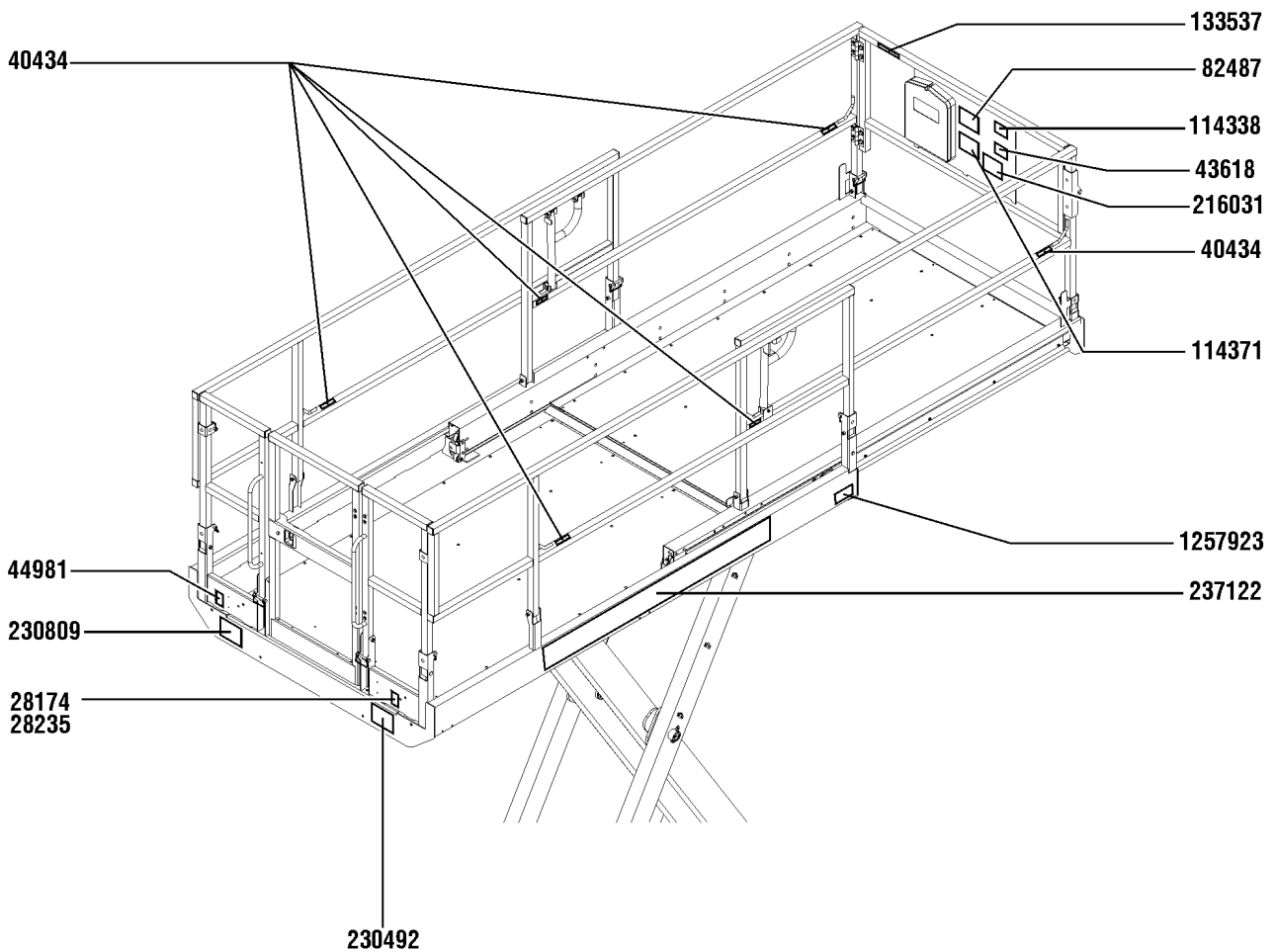
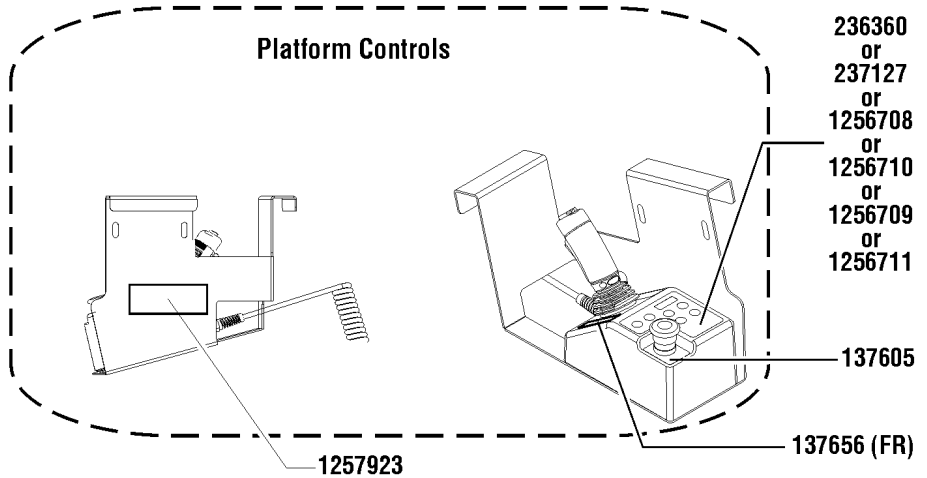


106.1 Decals with Symbols, GS-2669, Controls Side

Item	Part No.	Description	Qty.
--		Ref. Symbol Decal Kits (refer to 105.1)	
1	43658	DECAL,LABEL,PWR TO CHARGR 230V.....	1
2	44980	DECAL,LABEL,PWR TO CHARGR 115V.....	1
3	44981	DECAL,LABEL,AIRLINE 110 PSI..... (option)	1
4	52475	DECAL,LABEL,TRANSPORT TIEDOWN*.....	1
5	72086	DECAL,LABEL,LIFTING EYE.....	1
6	82473	DECAL,SYMBOL-COMP ACCESS.....	1
7	82474	DECAL,SYMBOL-USE SAFETY ARM.....	1
8	82475	DECAL,SYMBOL-FOOT CRUSHING.....	2
9	82476	DECAL,SYMBOL-ELEC HAZARD,GS.....	1
10	82487	DECAL,SYMBOL-READ THE MANUAL.....	1
11	82560	DECAL,SYMBOL-SKIN INJECT HAZRD.....	1
12	82562	DECAL,SYMBOL-CRUSHING HAZARD.....	2
13	82666	DECAL,LABEL,FORKLIFT POCKET.....	2
14	97719	DECAL, LABEL, SAFETY ARM SYMB.....	1
15	114202	DECAL,LABEL,TRANSPORT TIE 68.....	2
16	114334	DECAL,SYM-ELEC HAZARD,PLUG.....	1
17	229828	DECAL,LABEL,HOT,SYMBOL.....	1
18	236415	DECAL, GROUND CONTROL PANEL, G.....	1
19	237124	DECAL,LABEL,WHEEL LD,GS2669DC.....	2
20	237926	DECAL,LABEL,OUTRIGGER LD..... (option)	2

Platform ANSI models

☐ Shading indicates decal is hidden from view.



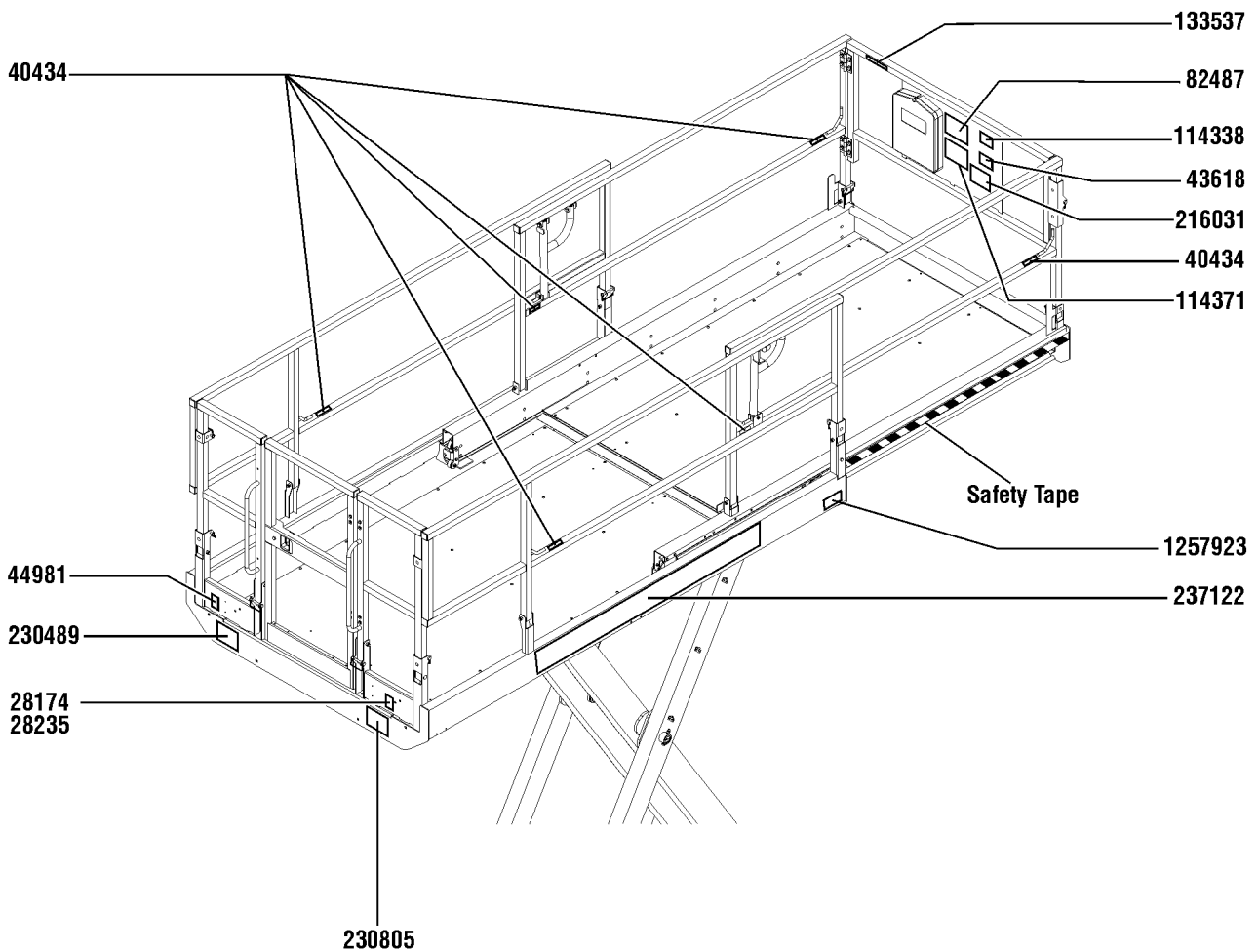
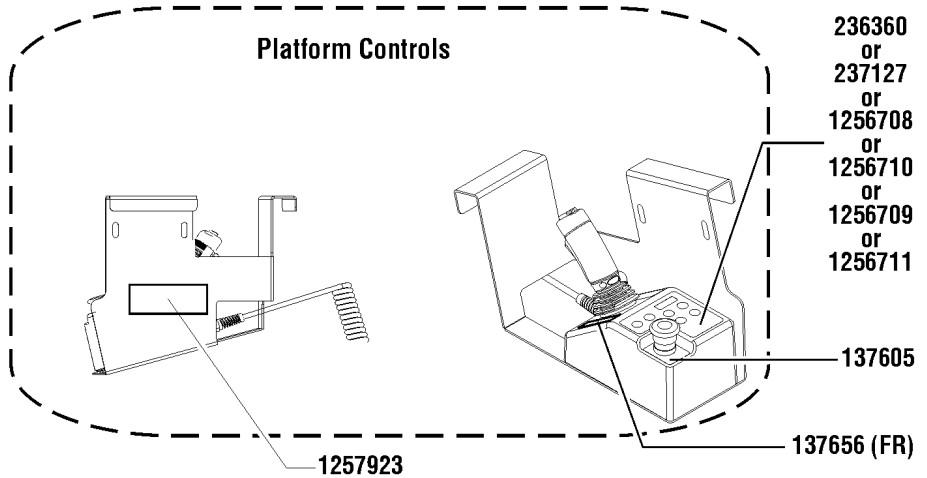
107.1 Decals with Symbols, GS-2669, Platform, Asia & S. America

Item	Part No.	Description	Qty.	Item	Part No.	Description	Qty.
--		Ref. Symbol Decal Kits <i>(refer to 105.1)</i>		20	1256710	DECAL,O/R,PROP LIFT,69DC,UI....1 <i>(models with outriggers and 5 button, proportional controller)</i>	
1	28174	DECAL,POWER TO PLATFORM 230V.....1	1	21	1256711	DECAL, O/R, PROP LIFT, 69DC, U.....1 <i>(models with outriggers that are converted from 7 button, 2 speed lift to 5 button, proportional controller)</i>	
2	28235	DECAL,POWER TO PLATFORM 115V.....1	1	22	1257923	DECAL, SMARTLINK PROPORTIONAL.....2 <i>(models with proportional controller)</i>	
3	40434	DECAL,LANYARD ANCHORAGE POINT.....6	6				
4	43618	DECAL,LABEL-DIRECTION ARROWS.....1	1				
5	44981	DECAL,LABEL,AIRLINE 110 PSI....1 <i>(option)</i>	1				
6	82487	DECAL,SYMBOL-READ THE MANUAL.....1	1				
7	114338	DECAL,SYM-TIP-OVR,TILT ALARM.....1	1				
8	114371	DECAL,SYM-TIP-OVER,OUTRGR..1 <i>(models with outriggers)</i>	1				
9	133537	DECAL,CRUSH HAZ RAILS SYMB.....1	1				
10	137605	DECAL,E-STOP,GR/GRC/GS PCON.....1	1				
11	137656	DECAL,PROPEL,GR/GRC/GS,PCON.1	1				
12	216031	DECAL,DANGER-RUNAWAY HAZARD,SLOPE.....1	1				
13	230492	DECAL,DANGER,SIDE FRC,GS2669.....1	1				
14	230809	DECAL,NOTICE,MAX CAP GS2669.....1	1				
15	236360	DECAL, UI, GS69DC,PCON.....1 <i>(models without outriggers and with 5 button, 2 speed controller) to SN GS6914-5499</i>	1				
16	237122	DECAL,COSMETIC GENIE GS-2669DC.....1	1				
17	237127	DECAL,UI,GS69DC W/OR,PCON....1 <i>(models with outriggers and 7 button, 2 speed controller) to SN GS6914-5499</i>	1				
18	1256708	DECAL,STD,PROP LIFT,69DC,UI....1 <i>(models without outriggers and with 3 button, proportional controller)</i>	1				
19	1256709	DECAL, STD, PROP LIFT, 69DC, U.....1 <i>(models without outriggers that are converted from 5 button, 2 speed lift to 3 button, proportional controller)</i>	1				



Platform CE models

☐ Shading indicates decal is hidden from view.



108.1 Decals with Symbols, GS-2669, Platform, CE

Item	Part No.	Description	Qty.	Item	Part No.	Description	Qty.
--		Ref. Symbol Decal Kits <i>(refer to 105.1)</i>		20	1256710	DECAL,O/R,PROP LIFT,69DC,UI....1 <i>(models with outriggers and 5 button, proportional controller)</i>	1
1	28174	DECAL,POWER TO PLATFORM 230V.....	1	21	1256711	DECAL, O/R, PROP LIFT, 69DC, U.....	1
2	28235	DECAL,POWER TO PLATFORM 115V.....	1			<i>(models with outriggers that are converted from 7 button, 2 speed lift to 5 button, proportional controller)</i>	
3	40434	DECAL,LANYARD ANCHORAGE POINT.....	6	22	1257923	DECAL, SMARTLINK PROPORTIONAL.....	2
4	43618	DECAL,LABEL-DIRECTION ARROWS.....	1			<i>(models with proportional controller)</i>	
5	44981	DECAL,LABEL,AIRLINE 110 PSI.... <i>(option)</i>	1				
6	82487	DECAL,SYMBOL-READ THE MANUAL.....	1				
7	114338	DECAL,SYM-TIP-OVR,TILT ALARM.....	1				
8	114371	DECAL,SYM-TIP-OVER,OUTRGR..1 <i>(models with outriggers)</i>	1				
9	133537	DECAL,CRUSH HAZ RAILS SYMB.....	1				
10	137605	DECAL,E-STOP,GR/GRC/GS PCON.....	1				
11	137656	DECAL,PROPEL,GR/GRC/GS,PCON.1	1				
12	216031	DECAL,DANGER,RUNAWAY HAZ, SYM.....	1				
13	230489	DECAL,NOTICE,MAX CAP GS2669.....	1				
14	236360	DECAL, UI, GS69DC,PCON.....	1				
15	236360	DECAL, UI, GS69DC,PCON..... <i>(models without outriggers and with 5 button, 2 speed controller) to SN GS6914-5499</i>	1				
16	237122	DECAL,COSMETIC,GENIE GS-2669DC.....	1				
17	237127	DECAL,UI,GS69DC W/OR,PCON....1 <i>(models with outriggers and 7 button, 2 speed controller) to SN GS6914-5499</i>	1				
18	1256708	DECAL,STD,PROP LIFT,69DC,UI....1 <i>(models without outriggers and with 3 button, proportional controller)</i>	1				
19	1256709	DECAL, STD, PROP LIFT, 69DC, U.....	1				
		<i>(models without outriggers that are converted from 5 button, 2 speed lift to 3 button, proportional controller)</i>					

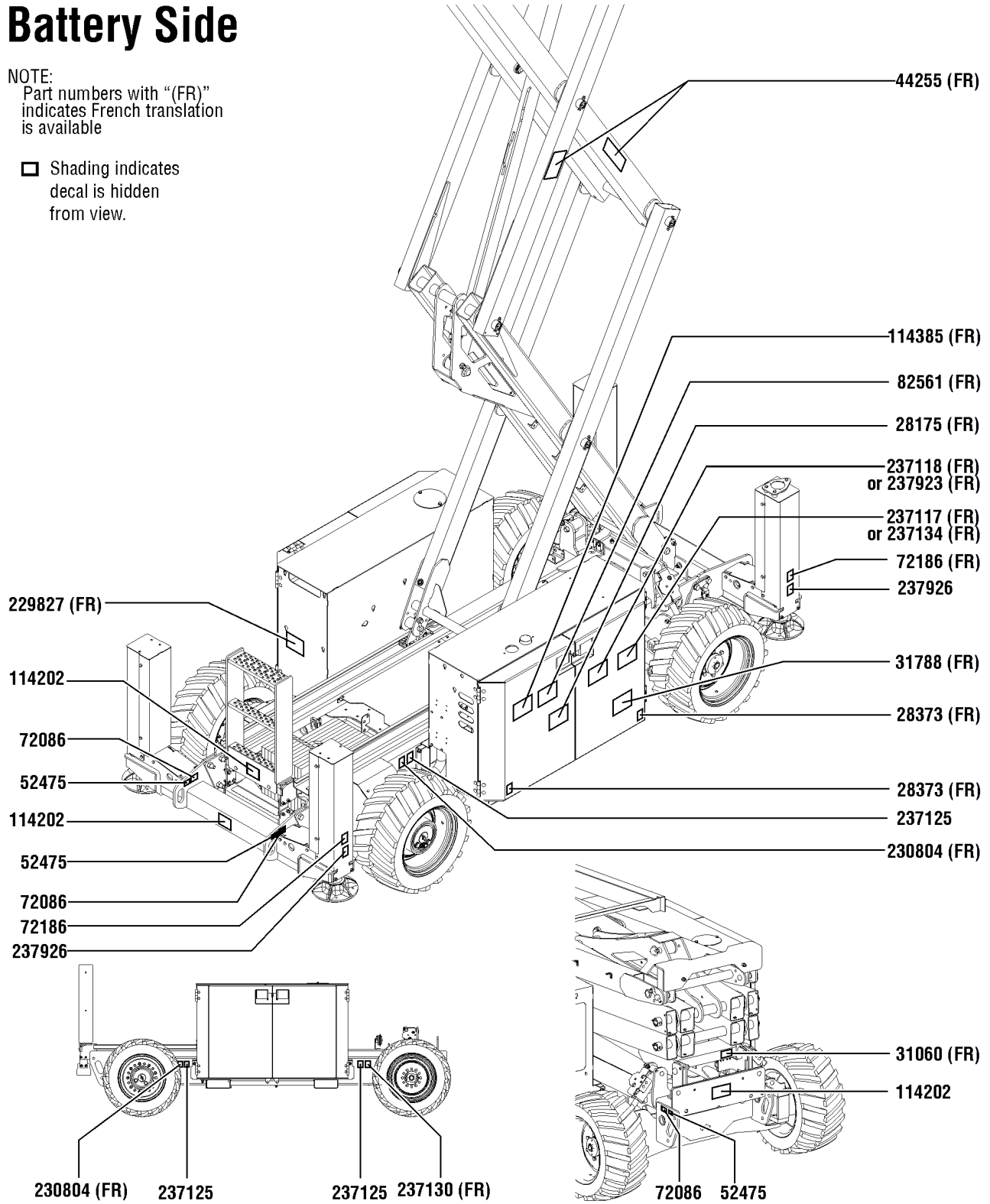


109.1 Decals with Words, GS-3369, Battery Side

Battery Side

NOTE:
Part numbers with "(FR)" indicates French translation is available

☐ Shading indicates decal is hidden from view.



109.1 Decals with Words, GS-3369, Battery Side

Item	Part No.	Description	Qty.	Item	Part No.	Description	Qty.
--	216828	DECAL KIT,3369DC COMP,WRD,ANSI <i>(Decal kit, complete for ANSI models only) to SN GS6914-5499</i>		16	237125	DECAL,LABEL,WHEEL LD,GS3369DC.....	2
--	216829	DECAL KIT,3369DC PLAT,WRDS,ANSI <i>(Decal kit, platform for ANSI models only) to SN GS6914-5499</i>		17	237130	DECAL,NOTICE,TIRE SPECS, FRONT.....	1 <i>(steer end)</i>
--	216876	DECAL KIT,3369DC COMP,WRD,AUS <i>(Decal kit, complete for AUS models only) to SN GS6914-5499</i>		18	237134	DECAL,DANGER-TIP-OVR,BATT,T105.1 GS-2669 DC and GS-3369 DC ONLY	
--	216877	DECAL KIT,3369DC PLAT,WRDS,AUS <i>(Decal kit, platform for AUS models only) to SN GS6914-5499</i>		19	237923	DECAL,BATT CONN DIAGRAM,T105.....	1 GS-2669 DC and GS-3369 DC ONLY
1	28175	DECAL,COMPARTMENT ACCESS.....	1	20	237926	DECAL,LABEL,OUTRIGGER LD.....	2 <i>(option)</i>
2	28373	DECAL,FORK LIFT POCKET.....	2				
3	31060	DECAL,DANGER DO NOT ALTER SWTC.....	1				
4	31788	DECAL,DANGER,BATTERY SAFETY***	1				
5	44255	DECAL,DANGER,CRUSHING HAZARD.....	2				
6	52475	DECAL,LABEL,TRANSPORT TIEDOWN*.....	3				
7	72086	DECAL,LABEL,LIFTING EYE.....	3				
8	72186	DECAL,WARNING,CRUSHING HAZARD.....	2				
9	82561	DECAL,DANGER-USE SAFETY ARM.....	1				
10	114202	DECAL,LABEL,TRANSPORT TIE 68.....	3				
11	114385	DECAL,DANGER,ELEC HAZARD,GS.....	1				
12	229827	DECAL,WARNING,HOT SURFACE.....	1				
13	230804	DECAL,NOTICE,TIRE SPECS, REAR.....	1 <i>(non-steer end)</i>				
14	237117	DECAL,DANGER-TIP-OVR,BATT,J305.1 <i>(option)</i>					
15	237118	DECAL,BATT CONN DIAGRAM,J305.....	1 <i>(option)</i>				

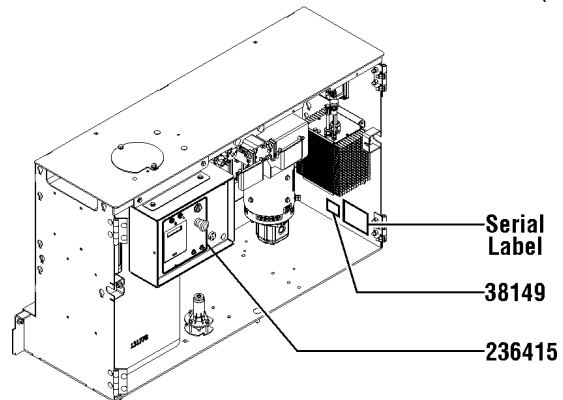
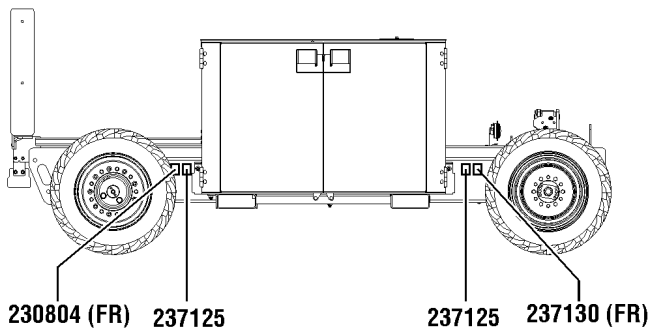
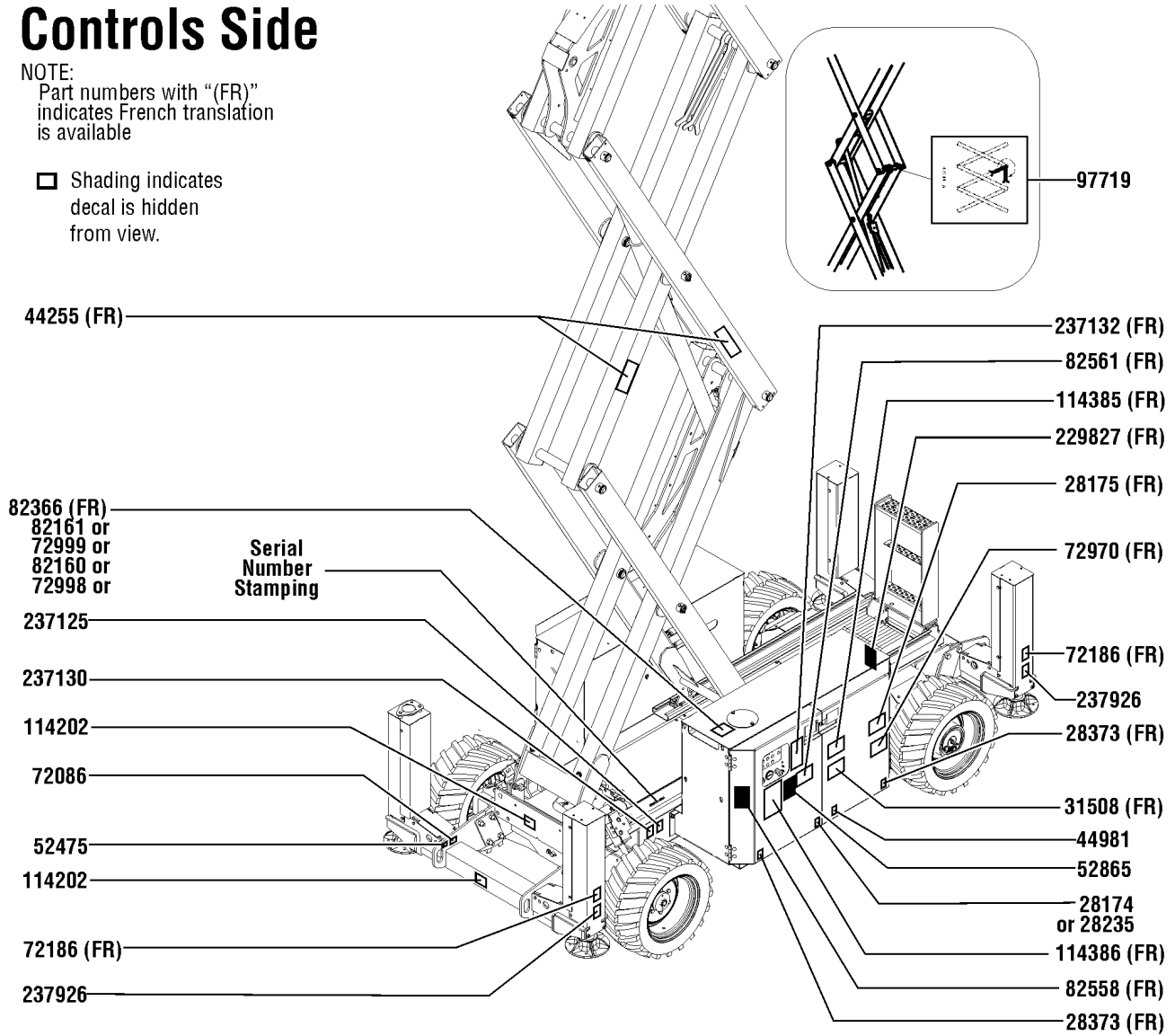


110.1 Decals with Words, GS-3369, Controls Side

Controls Side

NOTE:
Part numbers with "(FR)" indicates French translation is available

☐ Shading indicates decal is hidden from view.



110.1 Decals with Words, GS-3369, Controls Side

Item	Part No.	Description	Qty.	Item	Part No.	Description	Qty.
--		Ref. Word Decal Kits <i>(refer to 109.1)</i>		21	97719	DECAL, LABEL, SAFETY ARM SYMB.....	1
1	28174	DECAL,POWER TO PLATFORM 230V.....	1	22	114202	DECAL,LABEL,TRANSPORT TIE 68.....	2
2	28175	DECAL,COMPARTMENT ACCESS.....	1	23	114385	DECAL,DANGER,ELEC HAZARD,GS.....	1
3	28235	DECAL,POWER TO PLATFORM 115V.....	1	24	114386	DECAL,DANGER-GEN SAFETY.....	1
4	28373	DECAL,FORK LIFT POCKET.....	2	25	229827	DECAL,WARNING,HOT SURFACE.....	1
5	31508	DECAL,DANGER,ELECT HAZARD,PLUG.....	1	26	230804	DECAL,NOTICE,TIRE SPECS, REAR..... <i>(non-steer end)</i>	1
6	38149	DECAL,LABEL,PATENTS..... <i>(US Only)</i>	1	27	236415	DECAL, GROUND CONTROL PANEL, G.....	1
7	44255	DECAL,DANGER,CRUSHING HAZARD.....	2	28	237125	DECAL,LABEL,WHEEL LD,GS3369DC.....	3
8	44981	DECAL,LABEL,AIRLINE 110 PSI..... <i>(option)</i>	1	29	237130	DECAL,NOTICE,TIRE SPECS, FRONT..... <i>(steer end)</i>	2
9	52475	DECAL,LABEL,TRANSPORT TIEDOWN*.....	1	30	237132	DECAL,GRND OPS INSTRUCT,GS69DC.....	1
10	52865	DECAL,ANNUAL INSP***.....	1	31	237926	DECAL,LABEL,OUTRIGGER LD..... <i>(option)</i>	2
11	72086	DECAL,LABEL,LIFTING EYE.....	1				
12	72186	DECAL,WARNING,CRUSHING HAZARD.....	2				
13	72970	DECAL,INSTRUCTIONS-CHARGER OP.....	1				
14	72998	DECAL,LABEL,QUINTOLUBRIK..... <i>(For models with Quintolub hydraulic oil only)</i>	1				
15	72999	DECAL,LABEL,PETRO CANADA***..... <i>(For models with Petro Canada hydraulic oil only)</i>	1				
16	82160	DECAL,LABEL,STATOIL HYDRA WAY..... <i>(For models with Statoil hydraulic oil only)</i>	1				
17	82161	DECAL,LABEL,UCON HYDROLUBE..... <i>(For models with Ucon Hydrolube hydraulic oil only)</i>	1				
18	82366	DECAL,CHEVRON RANDO HD..... <i>(For models with Chevron Rando hydraulic oil only)</i>	1				
19	82558	DECAL,SKIN INJECTION.....	1				
20	82561	DECAL,DANGER-USE SAFETY ARM.....	1				

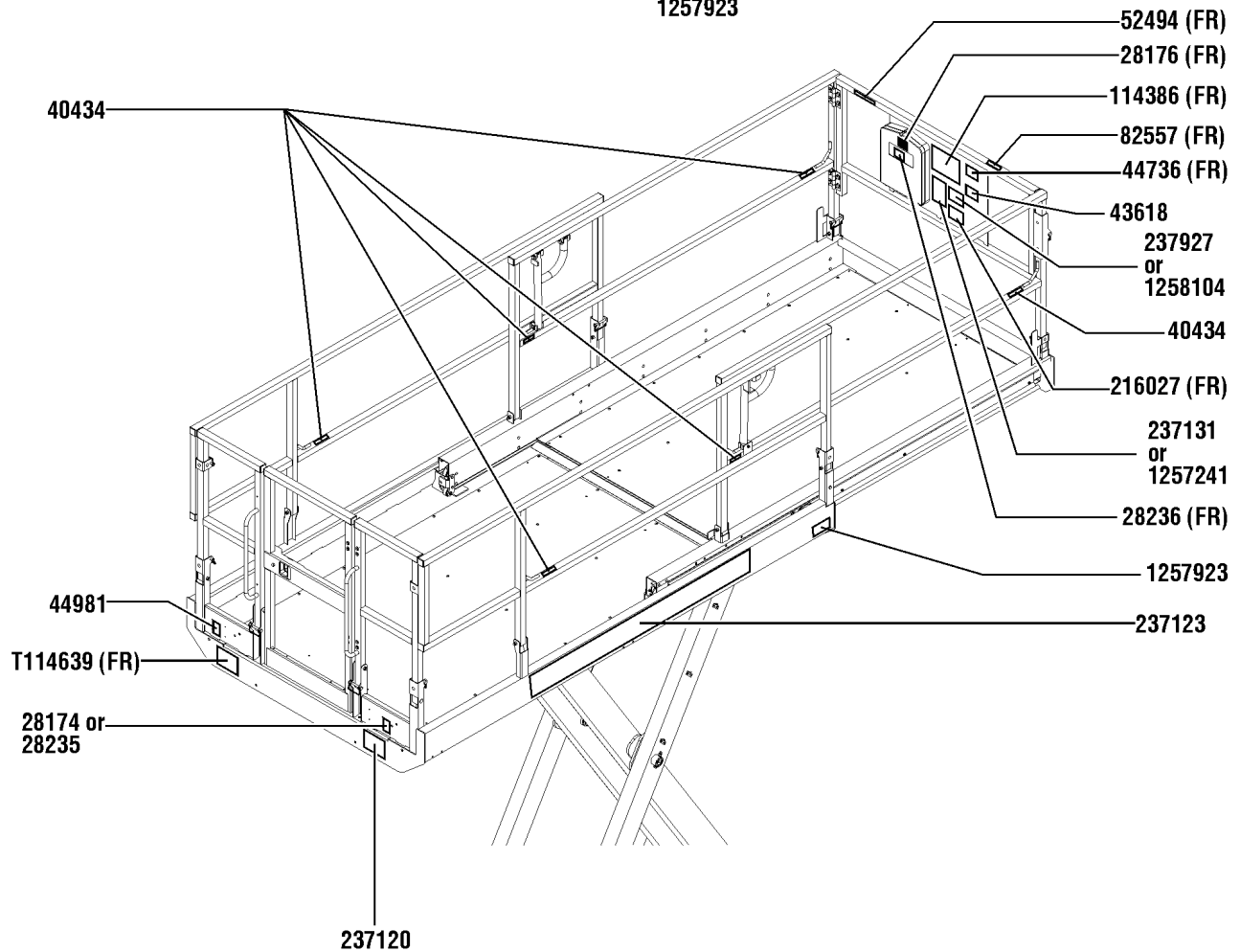
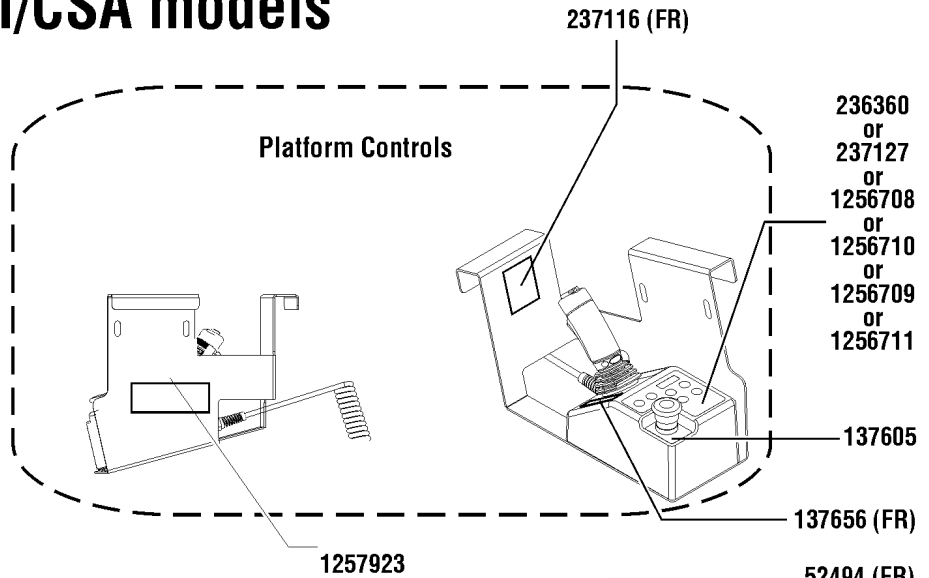


111.1 Decals with Words, GS-3369, Platform, ANSI & CSA

Platform, ANSI/CSA models

NOTE:
Part numbers with "(FR)" indicates French translation is available

☐ Shading indicates decal is hidden from view.



111.1 Decals with Words, GS-3369, Platform, ANSI & CSA

Item	Part No.	Description	Qty.	Item	Part No.	Description	Qty.
--		Ref. Word Decal Kits <i>(refer to 109.1)</i>		21	237927	DECAL,DANGER,OUTRIGGER SAFETY.....1 <i>(models with outriggers and 2 speed controller) to SN GS6914-5499</i>	1
1	28174	DECAL,POWER TO PLATFORM 230V.....1	1	22	T114639	DECAL,NOTICE,MAX CAP,GS3369.....1	1
2	28176	DECAL,LABEL,MANUAL NOT HERE.....1	1	23	1256708	DECAL,STD,PROP LIFT,69DC,UI....1 <i>(models without outriggers and with 3 button, proportional controller)</i>	1
3	28235	DECAL,POWER TO PLATFORM 115V.....1	1	24	1256709	DECAL, STD, PROP LIFT, 69DC, U.....1 <i>(models without outriggers that are converted from 5 button, 2 speed lift to 3 button, proportional controller)</i>	1
4	28236	DECAL,WARN,IMPROPER OPERATION.....1	1	25	1256710	DECAL,O/R,PROP LIFT,69DC,UI....1 <i>(models with outriggers 5 button, proportional controller)</i>	1
5	40434	DECAL,LANYARD ANCHORAGE POINT.....6	6	26	1256711	DECAL, O/R, PROP LIFT, 69DC, U.....1 <i>(models with outriggers that are converted from 7 button, 2 speed lift to 5 button, proportional controller)</i>	1
6	43618	DECAL,LABEL-DIRECTION ARROWS.....1	1	27	1257396	DECAL,OP,INSTR,PLAT,69DC,AUS.1 <i>(models with proportional controller)</i>	1
7	44736	DECAL,DANGER,TIP-OVER,TILT....1	1	28	1257923	DECAL, SMARTLINK PROPORTIONAL.....2 <i>(models with proportional controller)</i>	2
8	44981	DECAL,LABEL,AIRLINE 110 PSI....1 <i>(option)</i>	1	29	1258104	DECAL,DANGER,OUTRIGGER SAFETY.....1 <i>(models with outriggers and proportional controller)</i>	1
9	52494	DECAL,CAUTION,CRUSH HAZ, RAILS.....1	1				
10	82557	DECAL,LABEL,PLAT CONT LOCATION.....1	1				
11	114386	DECAL,DANGER-GEN SAFETY.....1	1				
12	137605	DECAL,E-STOP,GR/GRC/GS PCON.....1	1				
13	137656	DECAL,PROPEL,GR/GRC/GS,PCON.1	1				
14	216027	DECAL,DANGER-RUNAWAY HAZARD,SLOPE.....1	1				
15	236360	DECAL, UI, GS69DC,PCON.....1 <i>(models without outriggers and with 5 button, 2 speed controller) to SN GS6914-5499</i>	1				
16	237116	DECAL,LABEL,FAULT CODES,69DC.....1	1				
17	237120	DECAL,NOTICE,SIDE FRC GS3369DC.....1	1				
18	237123	DECAL,COSMETIC GENIE GS-3369DC.....1	1				
19	237127	DECAL,UI,GS69DC W/OR,PCON....1 <i>(models with outriggers and 7 button, 2 speed controller) to SN GS6914-5499</i>	1				
20	237131	DECAL,PLAT OPS INSTRUCT,GS69DC.....1 <i>(models with 2 speed controller) to SN GS6914-5499</i>	1				

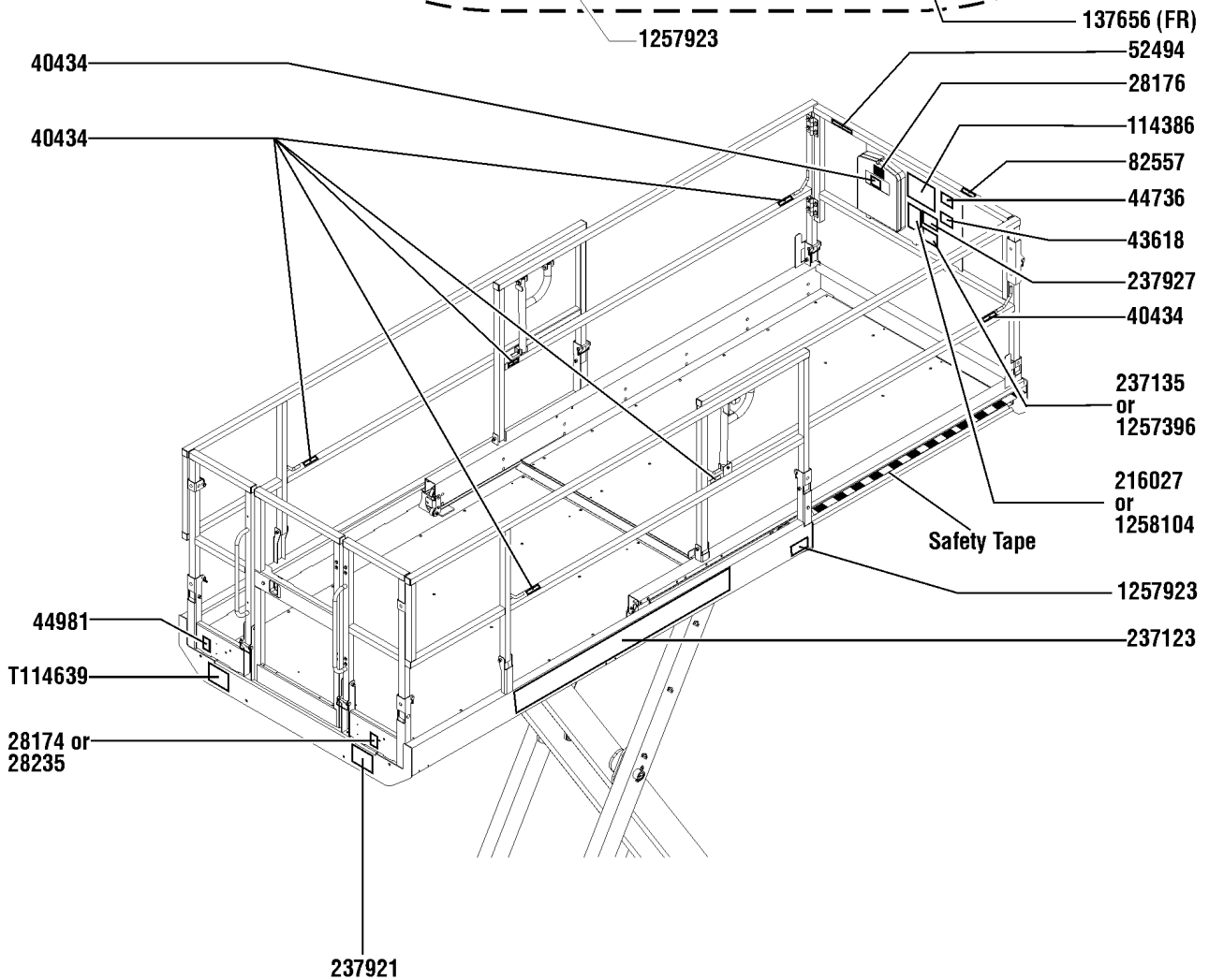
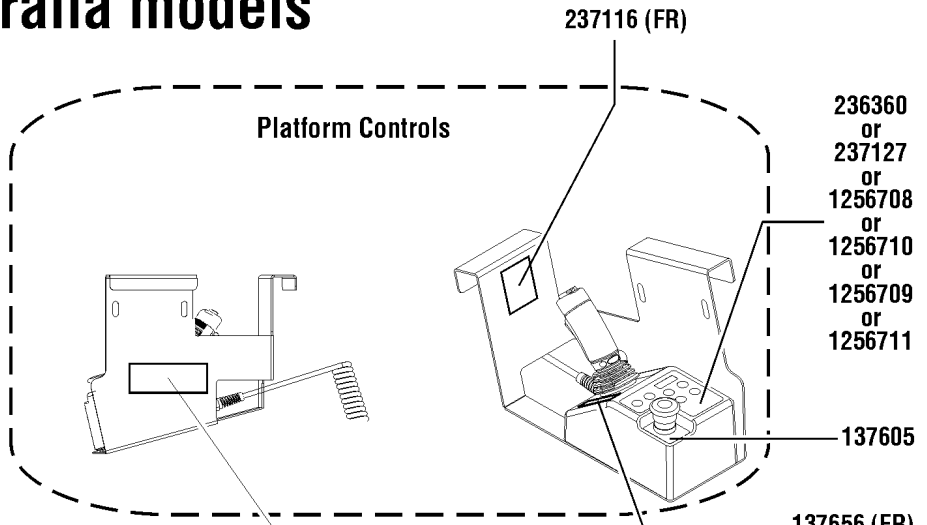


112.1 Decals with Words, GS-3369, Platform, AUS

Platform, Australia models

NOTE:
Part numbers with "(FR)" indicates French translation is available

☐ Shading indicates decal is hidden from view.



112.1 Decals with Words, GS-3369, Platform, AUS

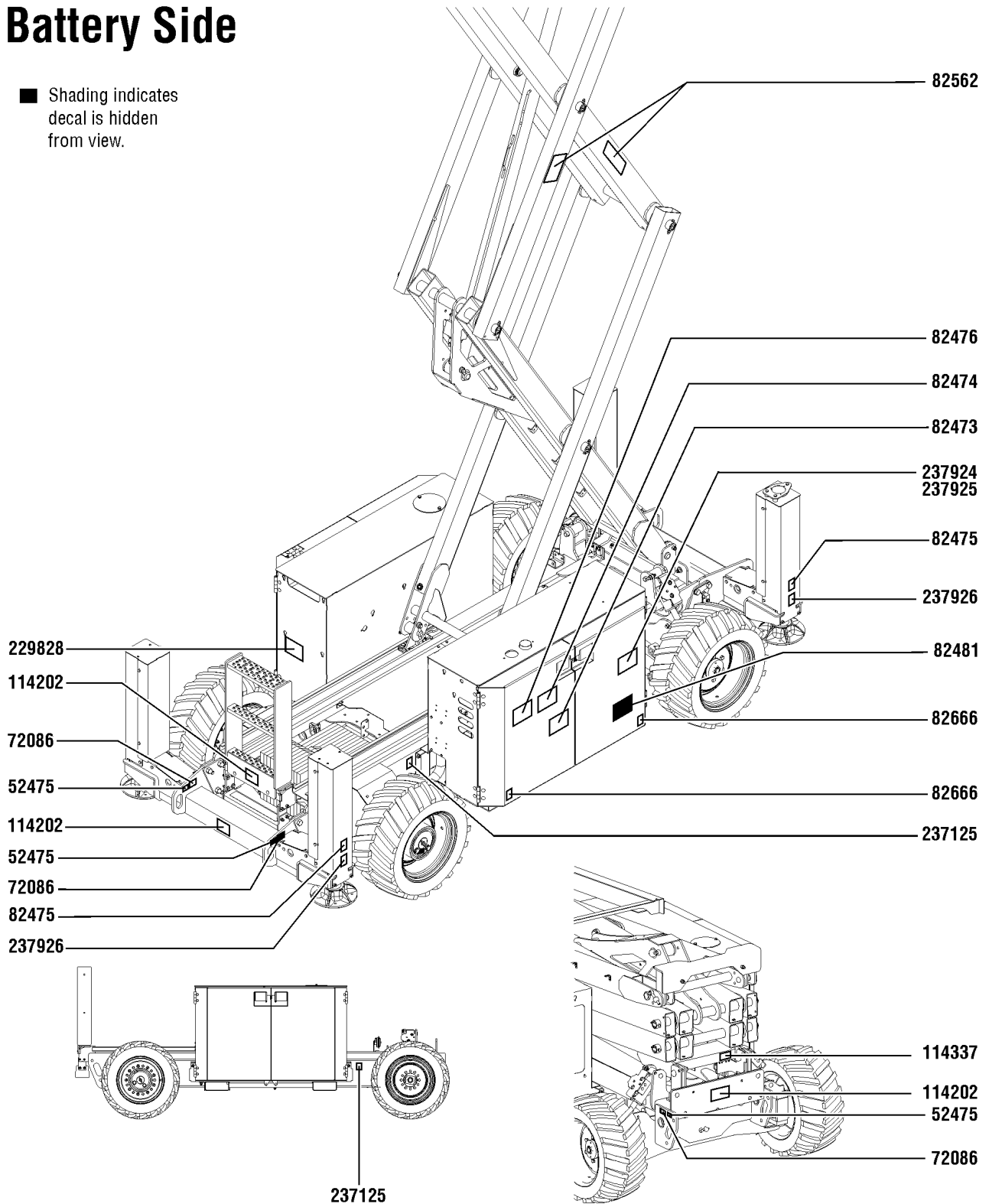
Item	Part No.	Description	Qty.	Item	Part No.	Description	Qty.
--		Ref. Word Decal Kits <i>(refer to 109.1)</i>		21	237927	DECAL,DANGER,OUTRIGGER SAFETY.....1 <i>(models with outriggers and 2 speed controller) to SN GS6914-5499</i>	1
1	28174	DECAL,POWER TO PLATFORM 230V.....1	1	22	T114639	DECAL,NOTICE,MAX CAP,GS3369.....1	1
2	28176	DECAL,LABEL,MANUAL NOT HERE.....1	1	23	1256708	DECAL,STD,PROP LIFT,69DC,UI....1 <i>(models without outriggers and with 3 button, proportional controller)</i>	1
3	28235	DECAL,POWER TO PLATFORM 115V.....1	1	24	1256709	DECAL, STD, PROP LIFT, 69DC, U.....1 <i>(models without outriggers that are converted from 5 button, 2 speed lift to 3 button, proportional controller)</i>	1
4	28236	DECAL,WARN,IMPROPER OPERATION.....1	1	25	1256710	DECAL,O/R,PROP LIFT,69DC,UI....1 <i>(models with outriggers 5 button, proportional controller)</i>	1
5	40434	DECAL,LANYARD ANCHORAGE POINT.....6	6	26	1256711	DECAL, O/R, PROP LIFT, 69DC, U.....1 <i>(models with outriggers that are converted from 7 button, 2 speed lift to 5 button, proportional controller)</i>	1
6	43618	DECAL,LABEL-DIRECTION ARROWS.....1	1	27	1257396	DECAL,OP,INSTR,PLAT,69DC,AUS.1 <i>(models with proportional controller)</i>	1
7	44736	DECAL,DANGER,TIP-OVER,TILT....1	1	28	1257923	DECAL, SMARTLINK PROPORTIONAL.....2 <i>(models with proportional controller)</i>	2
8	44981	DECAL,LABEL,AIRLINE 110 PSI....1 <i>(option)</i>	1	29	1258104	DECAL,DANGER,OUTRIGGER SAFETY.....1 <i>(models with outriggers and proportional controller)</i>	1
9	52494	DECAL,CAUTION,CRUSH HAZ, RAILS.....1	1				
10	82557	DECAL,LABEL,PLAT CONT LOCATION.....1	1				
11	114386	DECAL,DANGER-GEN SAFETY.....1	1				
12	137605	DECAL,E-STOP,GR/GRC/GS PCON.....1	1				
13	137656	DECAL,PROPEL,GR/GRC/GS,PCON.1	1				
14	216027	DECAL,DANGER-RUNAWAY HAZARD,SLOPE.....1	1				
15	236360	DECAL, UI, GS69DC,PCON.....1 <i>(models without outriggers and with 5 button, 2 speed controller) to SN GS6914-5499</i>	1				
16	237116	DECAL,LABEL,FAULT CODES,69DC.....1	1				
17	237123	DECAL,COSMETIC GENIE GS-3369DC.....1	1				
18	237127	DECAL,UI,GS69DC W/OR,PCON....1 <i>(models with outriggers and 7 button, 2 speed controller) to SN GS6914-5499</i>	1				
19	237135	DECAL,PLAT OPS INSTRUCT,GS69DC.....1 <i>(models with 2 speed controller) to SN GS6914-5499</i>	1				
20	237921	DECAL,NOTICE,SIDE FRC GS3369DC.....1	1				



113.1 Decals with Symbols, GS-3369, Battery Side

Battery Side

■ Shading indicates decal is hidden from view.



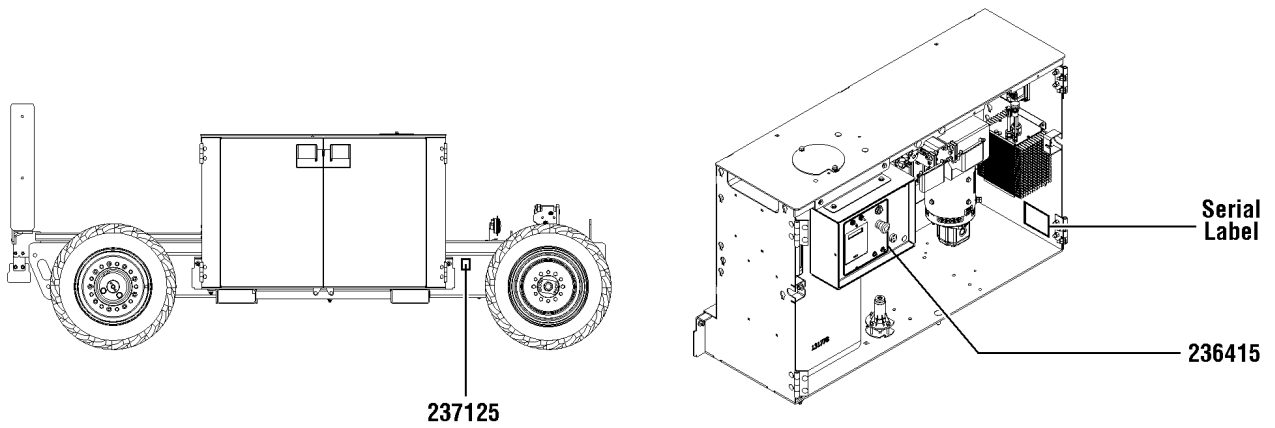
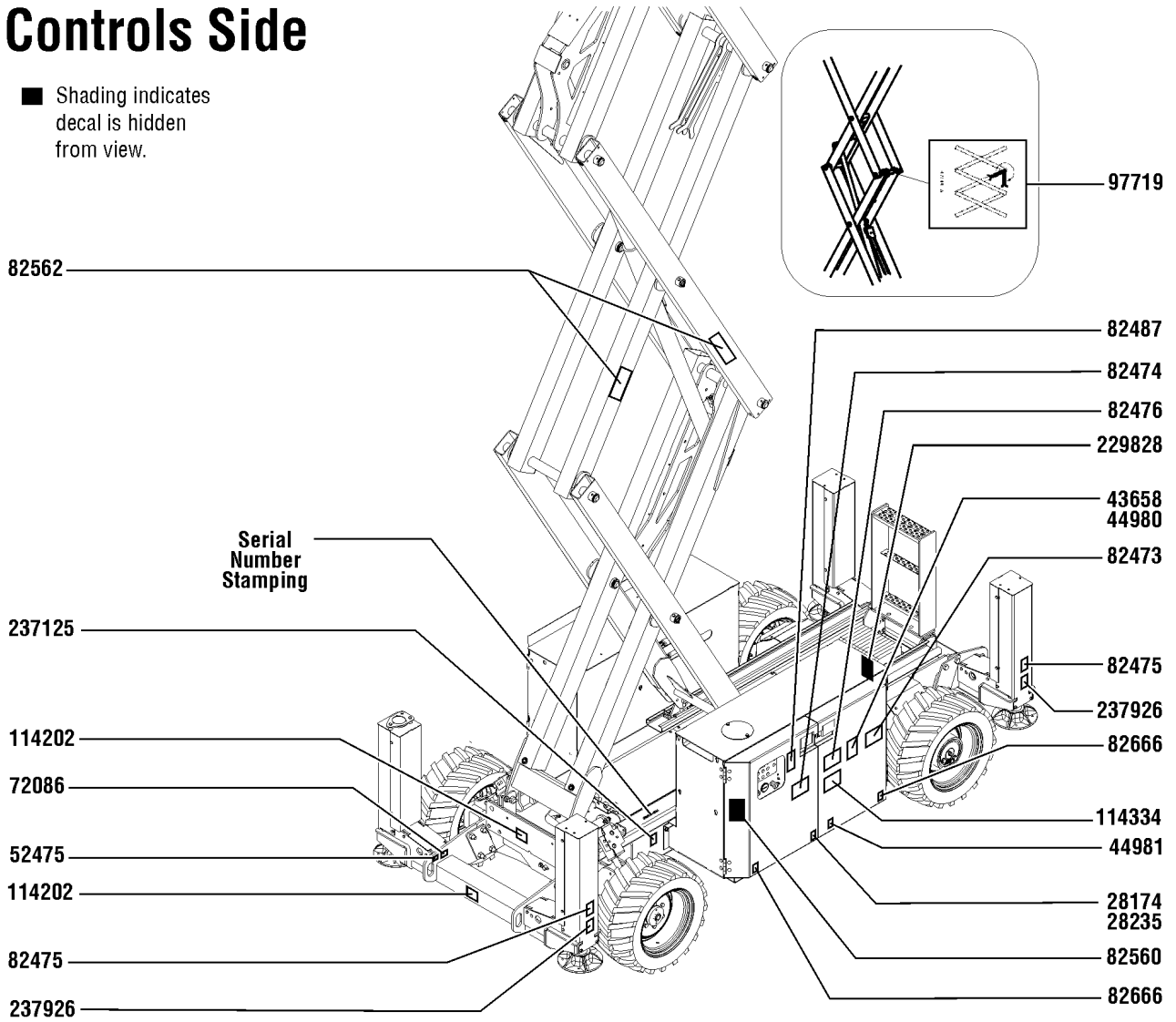
113.1 Decals with Symbols, GS-3369, Battery Side

Item	Part No.	Description	Qty.
--	216833	DECAL KIT,3369DC COMP,SYM,ANSI <i>(Decal kit, complete for ANSI models only) to SN GS6914-5499</i>	
--	216881	DECAL KIT,3369DC PLAT,SYM,ANSI <i>(Decal kit, platform for ANSI models only) to SN GS6914-5499</i>	
--	216885	DECAL KIT,3369DC COMP,SYM,CE <i>(Decal kit, complete for CE models only) to SN GS6914-5499</i>	
--	216886	DECAL KIT,3369DC PLAT,SYM,CE <i>(Decal kit, platform for CE models only) to SN GS6914-5499</i>	
1	52475	DECAL,LABEL,TRANSPORT TIEDOWN*.....	3
2	72086	DECAL,LABEL,LIFTING EYE.....	3
3	82473	DECAL,SYMBOL-COMP ACCESS.....	1
4	82474	DECAL,SYMBOL-USE SAFETY ARM.....	1
5	82475	DECAL,SYMBOL-FOOT CRUSHING.....	2
6	82476	DECAL,SYMBOL-ELEC HAZARD,GS.....	1
7	82481	DECAL,SYMBOL-BATTERY SAFETY.....	1
8	82562	DECAL,SYMBOL-CRUSHING HAZARD.....	2
9	82666	DECAL,LABEL,FORKLIFT POCKET.....	2
10	114202	DECAL,LABEL,TRANSPORT TIE 68.....	3
11	114337	DECAL,SYM-TIP-OVR,LIM SWITCH.....	1
12	229828	DECAL,LABEL,HOT,SYMBOL.....	1
13	237125	DECAL,LABEL,WHEEL LD,GS3369DC.....	2
14	237924	DECAL,DNGR-TIP-OVR,BATT,J305CE.1 <i>(option)</i>	1
15	237925	DECAL,DNGR-TIP-OVR,BATT,T105CE.1 <i>GS-2669 DC and GS-3369 DC ONLY</i>	1
16	237926	DECAL,LABEL,OUTRIGGER LD..... <i>(option)</i>	2

114.1 Decals with Symbols, GS-3369, Controls Side

Controls Side

■ Shading indicates decal is hidden from view.

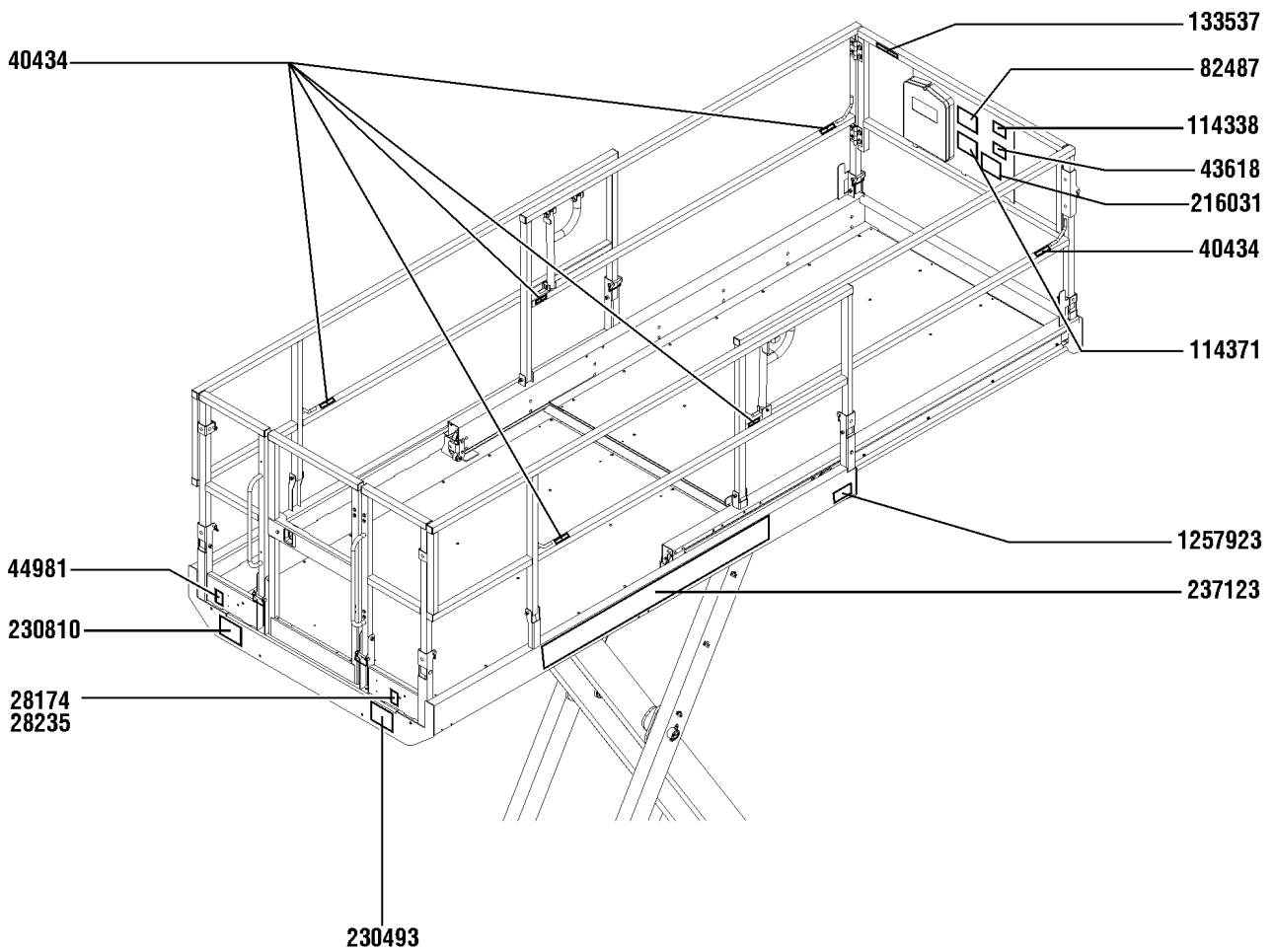
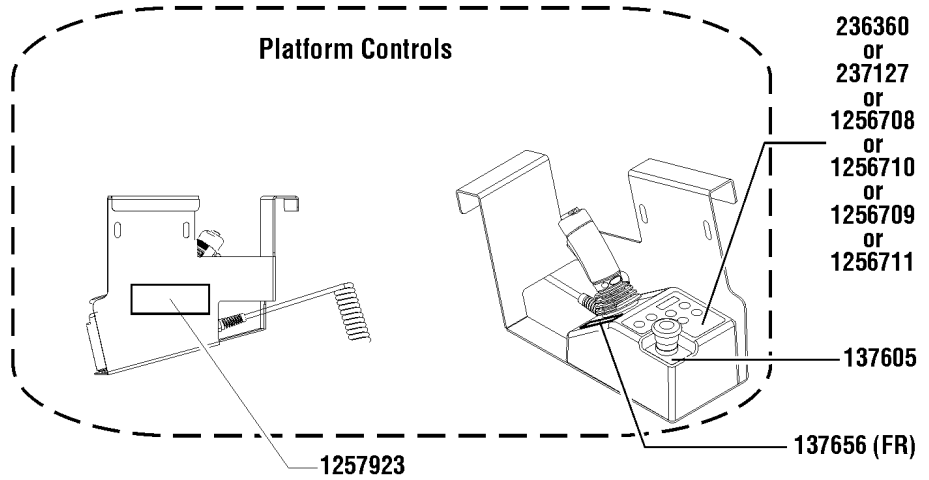


114.1 Decals with Symbols, GS-3369, Controls Side

Item	Part No.	Description	Qty.
--		Ref. Symbol Decal Kits (refer to 113.1)	
1	28174	DECAL,POWER TO PLATFORM 230V.....	1
2	28235	DECAL,POWER TO PLATFORM 115V.....	1
3	43658	DECAL,LABEL,PWR TO CHARGR 230V.....	1
		(option)	
4	44980	DECAL,LABEL,PWR TO CHARGR 115V.....	1
		(option)	
5	44981	DECAL,LABEL,AIRLINE 110 PSI.....	1
		(option)	
6	52475	DECAL,LABEL,TRANSPORT TIEDOWN*.....	1
7	72086	DECAL,LABEL,LIFTING EYE.....	1
8	82473	DECAL,SYMBOL-COMP ACCESS.....	1
9	82474	DECAL,SYMBOL-USE SAFETY ARM.....	1
10	82475	DECAL,SYMBOL-FOOT CRUSHING.....	2
11	82476	DECAL,SYMBOL-ELEC HAZARD,GS.....	1
12	82487	DECAL,SYMBOL-READ THE MANUAL.....	1
13	82560	DECAL,SYMBOL-SKIN INJECT HAZRD.....	1
14	82562	DECAL,SYMBOL-CRUSHING HAZARD.....	2
15	82666	DECAL,LABEL,FORKLIFT POCKET.....	2
16	97719	DECAL, LABEL, SAFETY ARM SYMB.....	1
17	114202	DECAL,LABEL,TRANSPORT TIE 68.....	2
18	114334	DECAL,SYM-ELEC HAZARD,PLUG.....	1
19	229828	DECAL,LABEL,HOT,SYMBOL.....	1
20	236415	DECAL, GROUND CONTROL PANEL, G.....	1
21	237125	DECAL,LABEL,WHEEL LD,GS3369DC.....	2
22	237926	DECAL,LABEL,OUTRIGGER LD.....	2
		(option)	

Platform ANSI models

☐ Shading indicates decal is hidden from view.



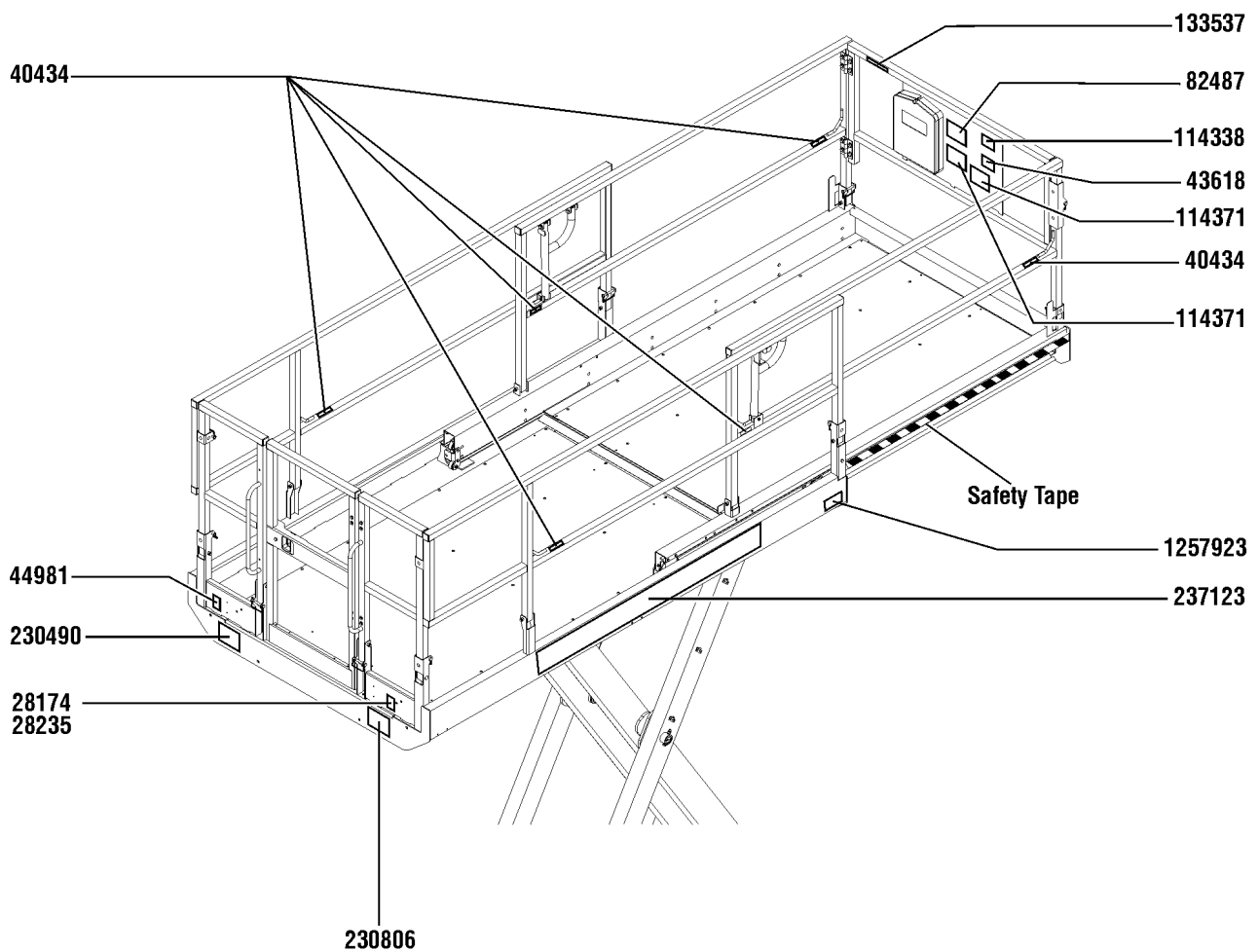
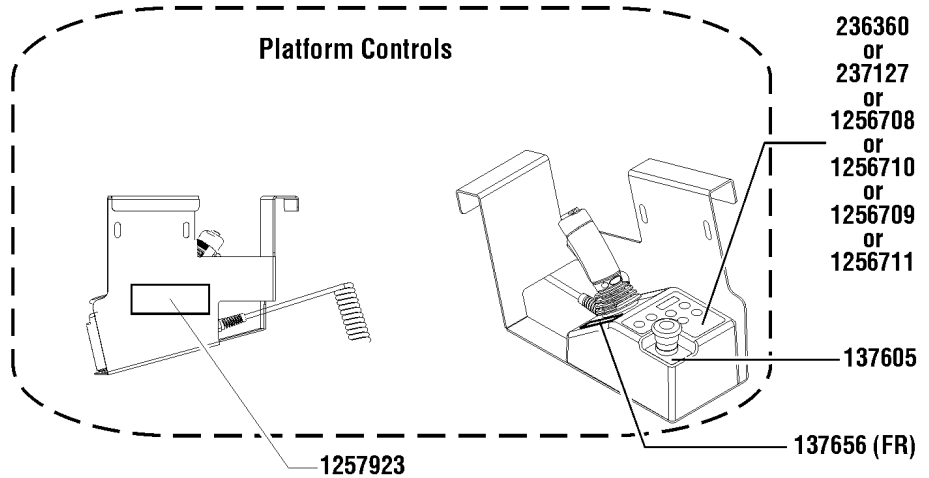
115.1 Decals with Symbols, GS-3369, Platform, Asia & S. America

Item	Part No.	Description	Qty.	Item	Part No.	Description	Qty.
--		Ref. Symbol Decal Kits <i>(refer to 113.1)</i>		20	1256710	DECAL,O/R,PROP LIFT,69DC,UI....1 <i>(models with outriggers and 5 button, proportional controller)</i>	
1	28174	DECAL,POWER TO PLATFORM 230V.....1		21	1256711	DECAL, O/R, PROP LIFT, 69DC, U.....1 <i>(models with outriggers that are converted from 7 button, 2 speed lift to 5 button, proportional controller)</i>	
2	28235	DECAL,POWER TO PLATFORM 115V.....1		22	1257923	DECAL, SMARTLINK PROPORTIONAL.....2 <i>(models with proportional controller)</i>	
3	40434	DECAL,LANYARD ANCHORAGE POINT.....6					
4	43618	DECAL,LABEL-DIRECTION ARROWS.....1					
5	44981	DECAL,LABEL,AIRLINE 110 PSI....1 <i>(option)</i>					
6	82487	DECAL,SYMBOL-READ THE MANUAL.....1					
7	114338	DECAL,SYM-TIP-OVR,TILT ALARM.....1					
8	114371	DECAL,SYM-TIP-OVER,OUTRGR..1 <i>(models with outriggers)</i>					
9	133537	DECAL,CRUSH HAZ RAILS SYMB.....1					
10	137605	DECAL,E-STOP,GR/GRC/GS PCON.....1					
11	137656	DECAL,PROPEL,GR/GRC/GS,PCON.1					
12	216031	DECAL,DANGER-RUNAWAY HAZARD,SLOPE.....1					
13	230493	DECAL,DANGER,SIDE FRC,GS3369.....1					
14	230810	DECAL,NOTICE,MAX CAP GS3369.....1					
15	236360	DECAL, UI, GS69DC,PCON.....1 <i>(models without outriggers and with 5 button, 2 speed controller) to SN GS6914-5499</i>					
16	237123	DECAL,COSMETIC GENIE GS-3369DC.....1					
17	237127	DECAL,UI,GS69DC W/OR,PCON....1 <i>(models with outriggers and 7 button, 2 speed controller) to SN GS6914-5499</i>					
18	1256708	DECAL,STD,PROP LIFT,69DC,UI....1 <i>(models without outriggers and with 3 button, proportional controller)</i>					
19	1256709	DECAL, STD, PROP LIFT, 69DC, U.....1 <i>(models without outriggers that are converted from 5 button, 2 speed lift to 3 button, proportional controller)</i>					



Platform CE models

☐ Shading indicates decal is hidden from view.



116.1 Decals with Symbols, GS-3369, Platform, CE

Item	Part No.	Description	Qty.	Item	Part No.	Description	Qty.
--		Ref. Symbol Decal Kits <i>(refer to 113.1)</i>		20	1256710	DECAL,O/R,PROP LIFT,69DC,UI....1 <i>(models with outriggers and 5 button, proportional controller)</i>	1
1	28174	DECAL,POWER TO PLATFORM 230V.....	1	21	1256711	DECAL, O/R, PROP LIFT, 69DC, U.....	1
2	28235	DECAL,POWER TO PLATFORM 115V.....	1			<i>(models with outriggers that are converted from 7 button, 2 speed lift to 5 button, proportional controller)</i>	
3	40434	DECAL,LANYARD ANCHORAGE POINT.....	6	22	1257923	DECAL, SMARTLINK PROPORTIONAL.....	2
4	43618	DECAL,LABEL-DIRECTION ARROWS.....	1			<i>(models with proportional controller)</i>	
5	44981	DECAL,LABEL,AIRLINE 110 PSI.... <i>(option)</i>	1				
6	82487	DECAL,SYMBOL-READ THE MANUAL.....	1				
7	114338	DECAL,SYM-TIP-OVR,TILT ALARM.....	1				
8	114371	DECAL,SYM-TIP-OVER,OUTRGR..	1				
9	133537	DECAL,CRUSH HAZ RAILS SYMB.....	1				
10	137605	DECAL,E-STOP,GR/GRC/GS PCON.....	1				
11	137656	DECAL,PROPEL,GR/GRC/GS,PCON.	1				
12	216031	DECAL,DANGER-RUNAWAY HAZARD,SLOPE.....	1				
13	230490	DECAL,NOTICE,MAX CAP GS3369.....	1				
14	230490	DECAL,NOTICE,MAX CAP GS3369.....	1				
15	236360	DECAL, UI, GS69DC,PCON..... <i>(models without outriggers and with 5 button, 2 speed controller) to SN GS6914-5499</i>	1				
16	237123	DECAL,COSMETIC GENIE GS-3369DC.....	1				
17	237127	DECAL,UI,GS69DC W/OR,PCON.... <i>(models with outriggers and 7 button, 2 speed controller) to SN GS6914-5499</i>	1				
18	1256708	DECAL,STD,PROP LIFT,69DC,UI.... <i>(models without outriggers and with 3 button, proportional controller)</i>	1				
19	1256709	DECAL, STD, PROP LIFT, 69DC, U.....	1				
		<i>(models without outriggers that are converted from 5 button, 2 speed lift to 3 button, proportional controller)</i>					

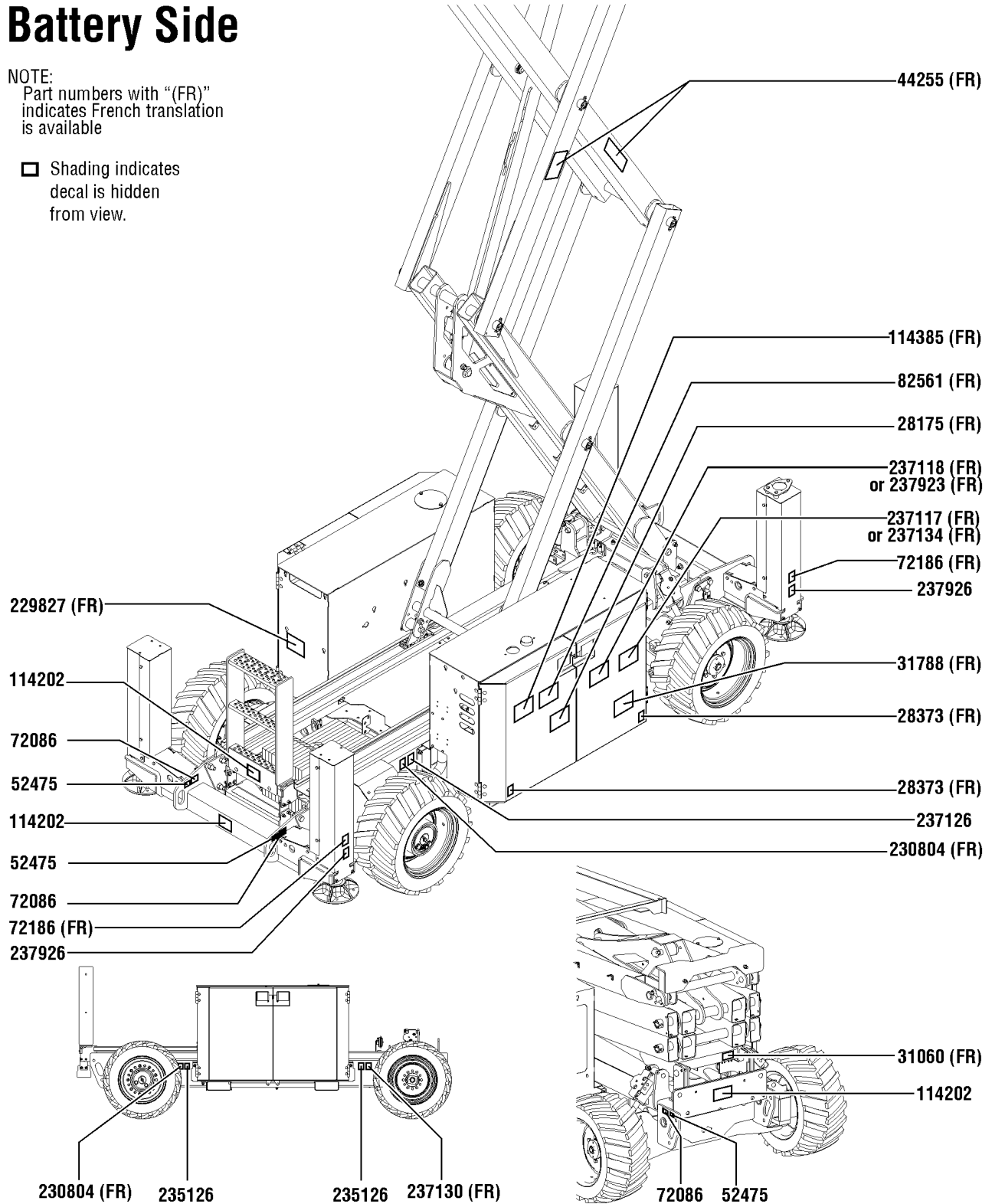


117.1 Decals with Words, GS-4069, Battery Side

Battery Side

NOTE:
Part numbers with "(FR)" indicates French translation is available

☐ Shading indicates decal is hidden from view.



117.1 Decals with Words, GS-4069, Battery Side

Item	Part No.	Description	Qty.	Item	Part No.	Description	Qty.
--	216830	DECAL KIT,4069DC COMP,WRD,ANSI <i>(Decal kit, complete for ANSI models only) to SN GS6914-5499</i>		18	237926	DECAL,LABEL,OUTRIGGER LD.....2 <i>(option)</i>	
--	216831	DECAL KIT,4069DC PLAT,WRD,ANSI <i>(Decal kit, platform for ANSI models only) to SN GS6914-5499</i>					
--	216878	DECAL KIT,4069DC COMP,WRD,AUS <i>(Decal kit, complete for AUS models only) to SN GS6914-5499</i>					
--	216879	DECAL KIT,4069DC PLAT,WRD,AUS <i>(Decal kit, platform for AUS models only) to SN GS6914-5499</i>					
1	28175	DECAL,COMPARTMENT ACCESS.....	1				
2	28373	DECAL,FORK LIFT POCKET.....	2				
3	31060	DECAL,DANGER DO NOT ALTER SWTC.....	1				
4	31788	DECAL,DANGER,BATTERY SAFETY***	1				
5	44255	DECAL,DANGER,CRUSHING HAZARD.....	2				
6	52475	DECAL,LABEL,TRANSPORT TIEDOWN*	3				
7	72086	DECAL,LABEL,LIFTING EYE.....	3				
8	72186	DECAL,WARNING,CRUSHING HAZARD.....	2				
9	82561	DECAL,DANGER-USE SAFETY ARM.....	1				
10	114202	DECAL,LABEL,TRANSPORT TIE 68.....	3				
11	114385	DECAL,DANGER,ELEC HAZARD,GS.....	1				
12	229827	DECAL,WARNING,HOT SURFACE.....	1				
13	230804	DECAL,NOTICE,TIRE SPECS, REAR..... <i>(non-steer end)</i>	1				
14	237117	DECAL,DANGER-TIP-OVR,BATT,J305.	1				
15	237118	DECAL,BATT CONN DIAGRAM,J305.....	1				
16	237126	DECAL,LABEL,WHEEL LD,GS4069DC.....	2				
17	237130	DECAL,NOTICE,TIRE SPECS, FRONT..... <i>(steer end)</i>	1				

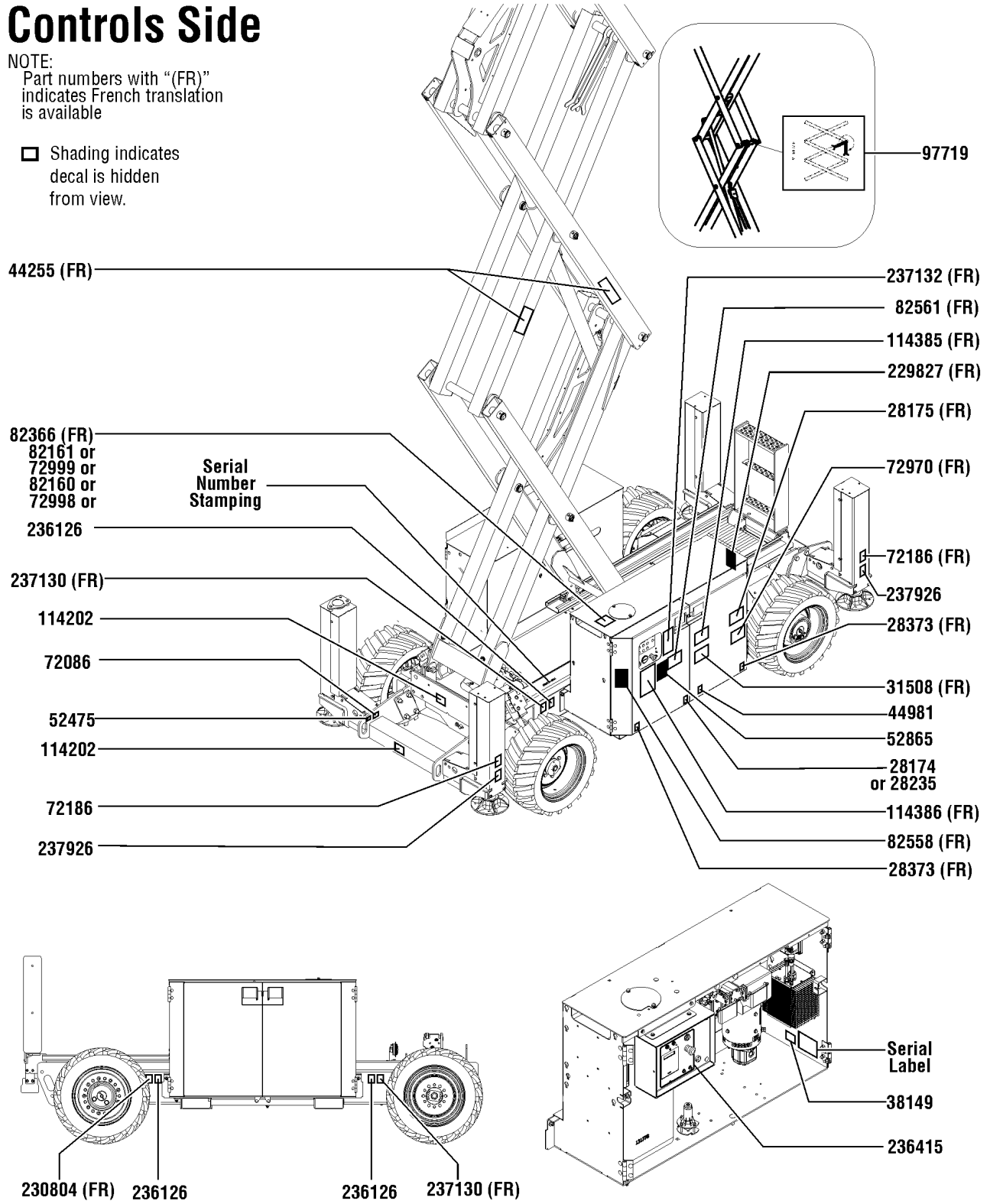


118.1 Decals with Words, GS-4069, Controls Side

Controls Side

NOTE:
Part numbers with "(FR)" indicates French translation is available

☐ Shading indicates decal is hidden from view.



118.1 Decals with Words, GS-4069, Controls Side

Item	Part No.	Description	Qty.	Item	Part No.	Description	Qty.
--		Ref. Word Decal Kits <i>(refer to 117.1)</i>		21	97719	DECAL, LABEL, SAFETY ARM SYMB.....	1
1	28174	DECAL,POWER TO PLATFORM 230V.....	1	22	114202	DECAL,LABEL,TRANSPORT TIE 68.....	2
2	28175	DECAL,COMPARTMENT ACCESS.....	1	23	114385	DECAL,DANGER,ELEC HAZARD,GS.....	1
3	28235	DECAL,POWER TO PLATFORM 115V.....	1	24	114386	DECAL,DANGER-GEN SAFETY.....	1
4	28373	DECAL,FORK LIFT POCKET.....	2	25	229827	DECAL,WARNING,HOT SURFACE.....	1
5	31508	DECAL,DANGER,ELECT HAZARD,PLUG.....	1	26	230804	DECAL,NOTICE,TIRE SPECS, REAR..... <i>(non-steer end)</i>	1
6	38149	DECAL,LABEL,PATENTS..... <i>(US Only)</i>	1	27	237126	DECAL,LABEL,WHEEL LD,GS4069DC.....	3
7	44255	DECAL,DANGER,CRUSHING HAZARD.....	1	28	236415	DECAL, GROUND CONTROL PANEL, G.....	1
8	44981	DECAL,LABEL,AIRLINE 110 PSI.....	1	29	237130	DECAL,NOTICE,TIRE SPECS, FRONT..... <i>(steer end)</i>	2
9	52475	DECAL,LABEL,TRANSPORT TIEDOWN*.....	1	30	237132	DECAL,GRND OPS INSTRUCT,GS69DC.....	1
10	52865	DECAL,ANNUAL INSP***.....	1	31	237926	DECAL,LABEL,OUTRIGGER LD..... <i>(option)</i>	2
11	72086	DECAL,LABEL,LIFTING EYE.....	1				
12	72186	DECAL,WARNING,CRUSHING HAZARD.....	2				
13	72970	DECAL,INSTRUCTIONS-CHARGER OP.....	1				
14	72998	DECAL,LABEL,QUINTOLUBRIK..... <i>(For models with Quintolub hydraulic oil only)</i>	1				
15	72999	DECAL,LABEL,PETRO CANADA***..... <i>(For models with Petro Canada hydraulic oil only)</i>	1				
16	82160	DECAL,LABEL,STATOIL HYDRA WAY..... <i>(For models with Statoil hydraulic oil only)</i>	1				
17	82161	DECAL,LABEL,UCON HYDROLUBE..... <i>(For models with Ucon Hydrolube hydraulic oil only)</i>	1				
18	82366	DECAL,CHEVRON RANDO HD..... <i>(For models with Chevron Rando hydraulic oil only)</i>	1				
19	82558	DECAL,SKIN INJECTION.....	1				
20	82561	DECAL,DANGER-USE SAFETY ARM.....	1				

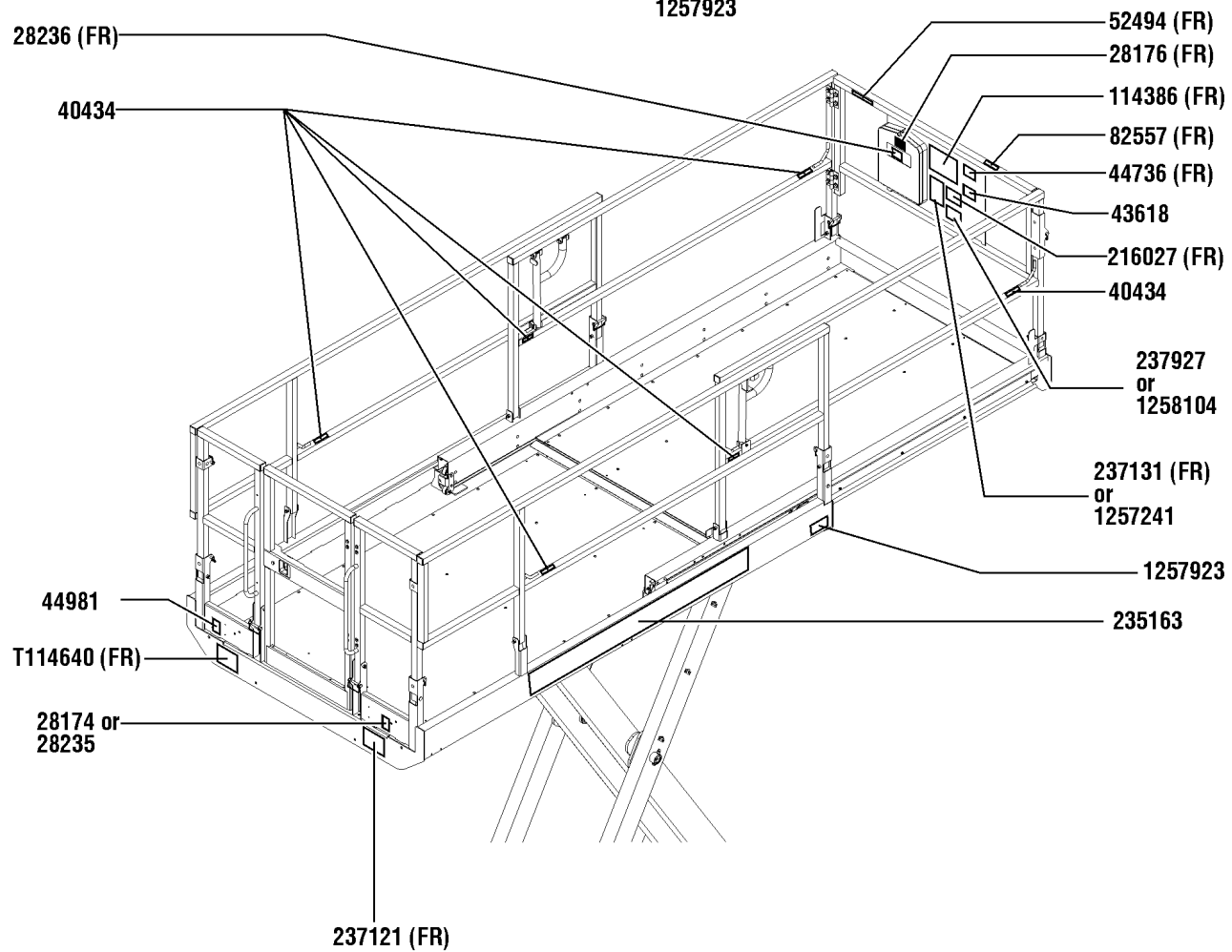
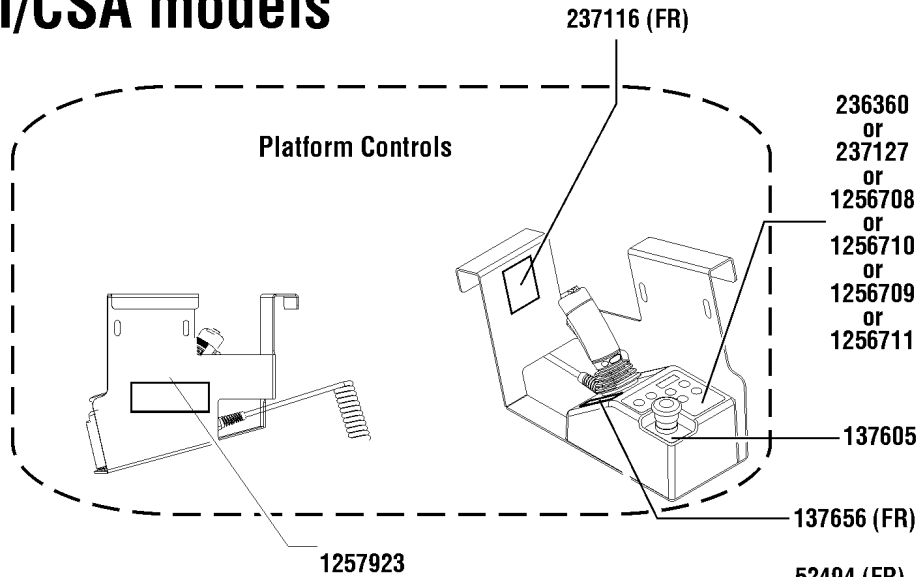


119.1 Decals with Words, GS-4069, Platform, ANSI & CSA

Platform, ANSI/CSA models

NOTE:
Part numbers with "(FR)" indicates French translation is available

☐ Shading indicates decal is hidden from view.



119.1 Decals with Words, GS-4069, Platform, ANSI & CSA

Item	Part No.	Description	Qty.	Item	Part No.	Description	Qty.
--		Ref. Word Decal Kits <i>(refer to 117.1)</i>		21	237927	DECAL,DANGER,OUTRIGGER SAFETY.....1 <i>(models with outriggers and 2 speed controller) to SN GS6914-5499</i>	1
1	28174	DECAL,POWER TO PLATFORM 230V.....1	1	22	T114640	DECAL,NOTICE,MAX CAP GS4069.....1	1
2	28176	DECAL,LABEL,MANUAL NOT HERE.....1	1	23	1256708	DECAL,STD,PROP LIFT,69DC,UI....1 <i>(models without outriggers and with 3 button, proportional controller)</i>	1
3	28235	DECAL,POWER TO PLATFORM 115V.....1	1	24	1256709	DECAL, STD, PROP LIFT, 69DC, U.....1 <i>(models without outriggers that are converted from 5 button, 2 speed lift to 3 button, proportional controller)</i>	1
4	28236	DECAL,WARN,IMPROPER OPERATION.....1	1	25	1256710	DECAL,O/R,PROP LIFT,69DC,UI....1 <i>(models with outriggers 5 button, proportional controller)</i>	1
5	40434	DECAL,LANYARD ANCHORAGE POINT.....6	6	26	1256711	DECAL, O/R, PROP LIFT, 69DC, U.....1 <i>(models with outriggers that are converted from 7 button, 2 speed lift to 5 button, proportional controller)</i>	1
6	43618	DECAL,LABEL-DIRECTION ARROWS.....1	1	27	1257241	DECAL,NOTICE,OP,INST,PLAT,69DC.1 <i>(models with proportional controller)</i>	1
7	44736	DECAL,DANGER,TIP-OVER,TILT....1	1	28	1257923	DECAL, SMARTLINK PROPORTIONAL.....2 <i>(models with proportional controller)</i>	2
8	44981	DECAL,LABEL,AIRLINE 110 PSI....1 <i>(option)</i>	1	29	1258104	DECAL,DANGER,OUTRIGGER SAFETY.....1 <i>(models with outriggers and proportional controller)</i>	1
9	52494	DECAL,CAUTION,CRUSH HAZ, RAILS.....1	1				
10	82557	DECAL,LABEL,PLAT CONT LOCATION.....1	1				
11	114386	DECAL,DANGER-GEN SAFETY.....1	1				
12	137605	DECAL,E-STOP,GR/GRC/GS PCON.....1	1				
13	137656	DECAL,PROPEL,GR/GRC/GS,PCON.1	1				
14	216027	DECAL,DANGER-RUNAWAY HAZARD,SLOPE.....1	1				
15	235163	DECAL COSMETIC,GS4069DC....1	1				
16	236360	DECAL, UI, GS69DC,PCON.....1 <i>(models without outriggers and with 5 button, 2 speed controller) to SN GS6914-5499</i>	1				
17	237116	DECAL,LABEL,FAULT CODES,69DC.....1	1				
18	237121	DECAL,NOTICE,SIDE FRC GS4069DC.....1	1				
19	237127	DECAL,UI,GS69DC W/OR,PCON....1 <i>(models with outriggers and 7 button, 2 speed controller) to SN GS6914-5499</i>	1				
20	237131	DECAL,PLAT OPS INSTRUCT,GS69DC.....1 <i>(models with 2 speed controller) to SN GS6914-5499</i>	1				

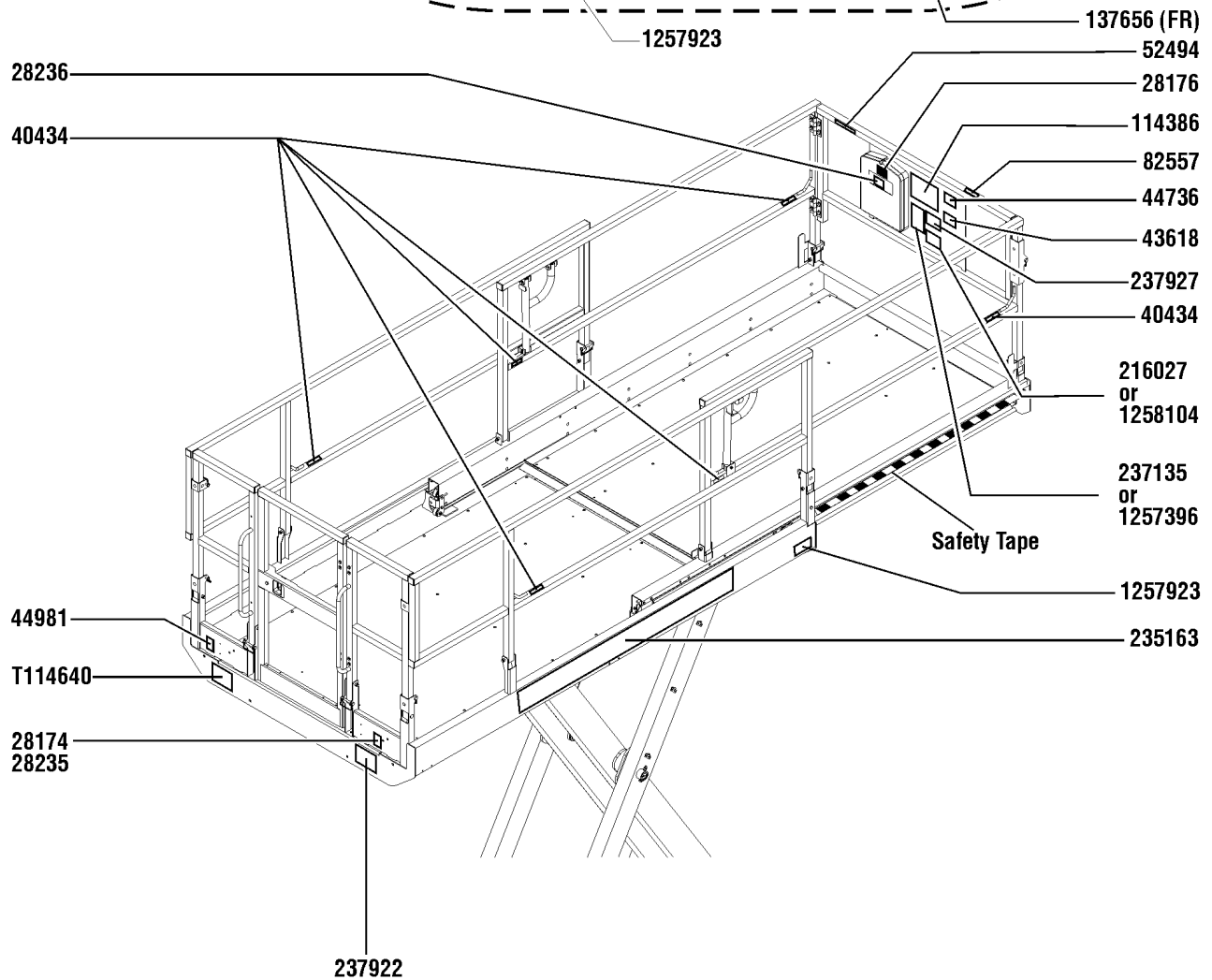
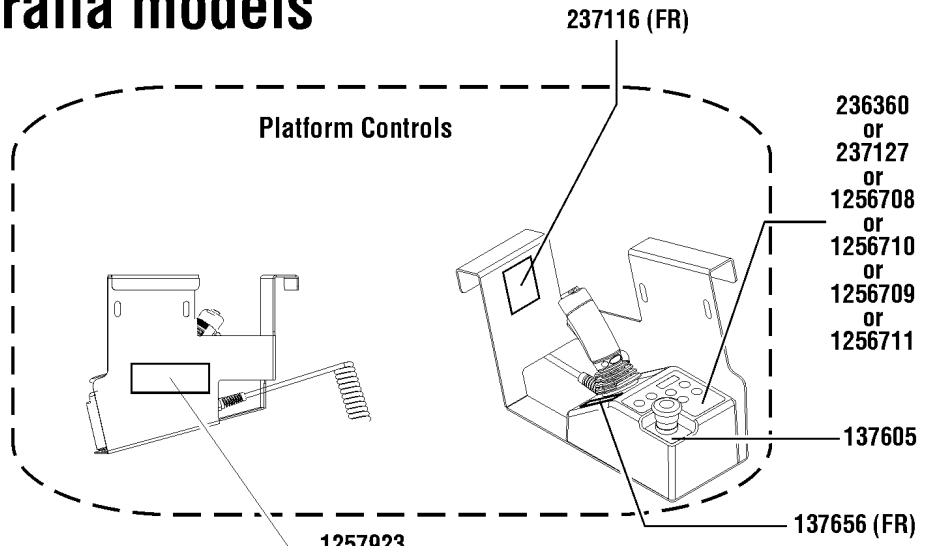


120.1 Decals with Words, GS-4069, Platform, AUS

Platform, Australia models

NOTE:
Part numbers with "(FR)" indicates French translation is available

☐ Shading indicates decal is hidden from view.



120.1 Decals with Words, GS-4069, Platform, AUS

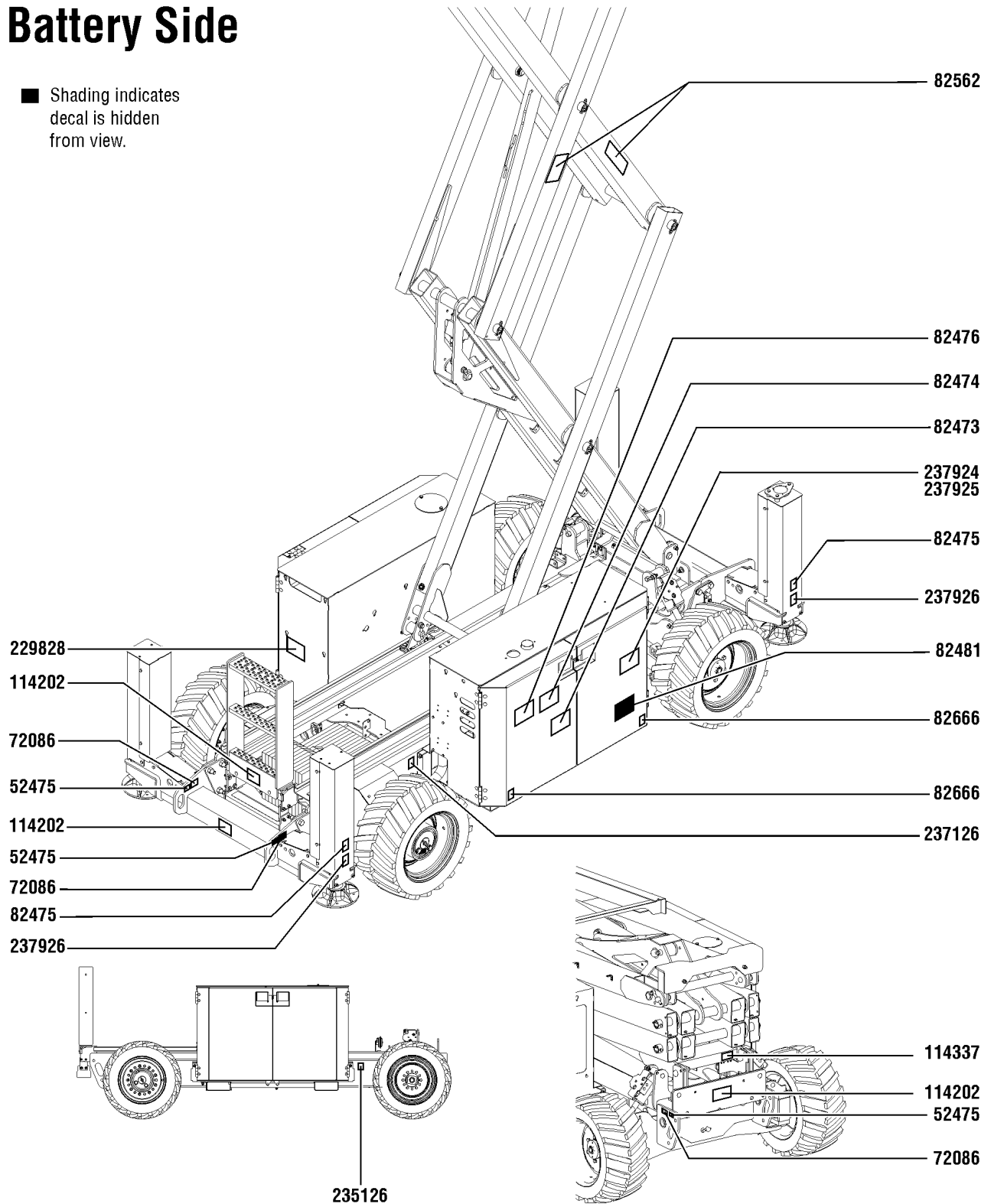
Item	Part No.	Description	Qty.	Item	Part No.	Description	Qty.
--		Ref. Word Decal Kits <i>(refer to 117.1)</i>		21	237927	DECAL,DANGER,OUTRIGGER SAFETY.....1 <i>(models with outriggers and 2 speed controller) to SN GS6914-5499</i>	1
1	28174	DECAL,POWER TO PLATFORM 230V.....1	1	22	T114640	DECAL,NOTICE,MAX CAP GS4069.....1	1
2	28176	DECAL,LABEL,MANUAL NOT HERE.....1	1	23	1256708	DECAL,STD,PROP LIFT,69DC,UI....1 <i>(models without outriggers and with 3 button, proportional controller)</i>	1
3	28235	DECAL,POWER TO PLATFORM 115V.....1	1	24	1256709	DECAL, STD, PROP LIFT, 69DC, U.....1 <i>(models without outriggers that are converted from 5 button, 2 speed lift to 3 button, proportional controller)</i>	1
4	28236	DECAL,WARN,IMPROPER OPERATION.....1	1	25	1256710	DECAL,O/R,PROP LIFT,69DC,UI....1 <i>(models with outriggers 5 button, proportional controller)</i>	1
5	40434	DECAL,LANYARD ANCHORAGE POINT.....6	6	26	1256711	DECAL, O/R, PROP LIFT, 69DC, U.....1 <i>(models with outriggers that are converted from 7 button, 2 speed lift to 5 button, proportional controller)</i>	1
6	43618	DECAL,LABEL-DIRECTION ARROWS.....1	1	27	1257396	DECAL,OP,INSTR,PLAT,69DC,AUS.1 <i>(models with proportional controller)</i>	1
7	44736	DECAL,DANGER,TIP-OVER,TILT....1	1	28	1257923	DECAL, SMARTLINK PROPORTIONAL.....2 <i>(models with proportional controller)</i>	2
8	44981	DECAL,LABEL,AIRLINE 110 PSI....1 <i>(option)</i>	1	29	1258104	DECAL,DANGER,OUTRIGGER SAFETY.....1 <i>(models with outriggers and proportional controller)</i>	1
9	52494	DECAL,CAUTION,CRUSH HAZ, RAILS.....1	1				
10	82557	DECAL,LABEL,PLAT CONT LOCATION.....1	1				
11	114386	DECAL,DANGER-GEN SAFETY.....1	1				
12	137605	DECAL,E-STOP,GR/GRC/GS PCON.....1	1				
13	137656	DECAL,PROPEL,GR/GRC/GS,PCON.1	1				
14	216027	DECAL,DANGER-RUNAWAY HAZARD,SLOPE.....1	1				
15	236360	DECAL, UI, GS69DC,PCON.....1 <i>(models without outriggers and with 5 button, 2 speed controller) to SN GS6914-5499</i>	1				
16	237116	DECAL,LABEL,FAULT CODES,69DC.....1	1				
17	235163	DECAL COSMETIC,GS4069DC.....1	1				
18	237127	DECAL,UI,GS69DC W/OR,PCON....1 <i>(models with outriggers and 7 button, 2 speed controller) to SN GS6914-5499</i>	1				
19	237135	DECAL,PLAT OPS INSTRUCT,GS69DC.....1 <i>(models with 2 speed controller) to SN GS6914-5499</i>	1				
20	237922	DECAL,NOTICE,SIDE FRC GS4069DC.....1	1				



121.1 Decals with Symbols, GS-4069, Battery Side

Battery Side

■ Shading indicates decal is hidden from view.



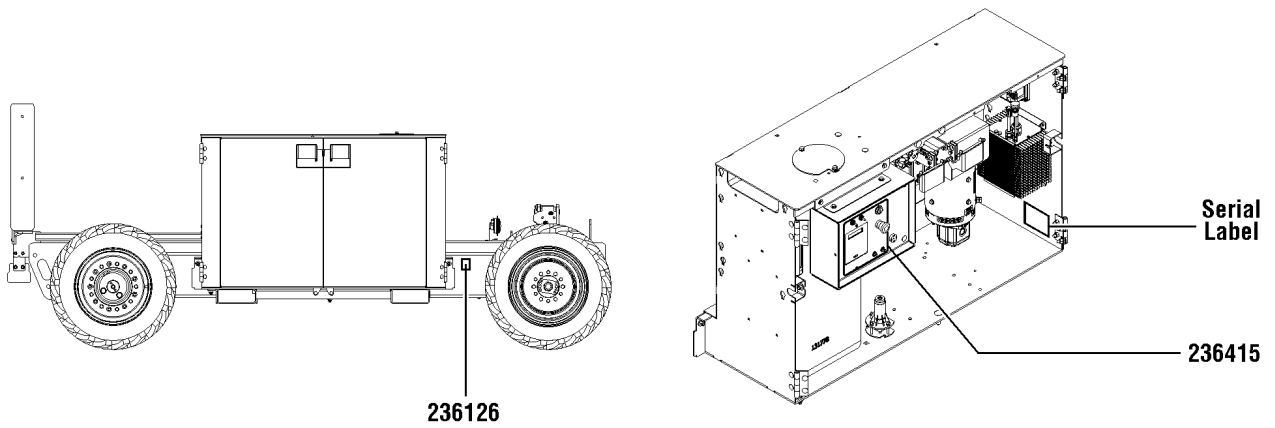
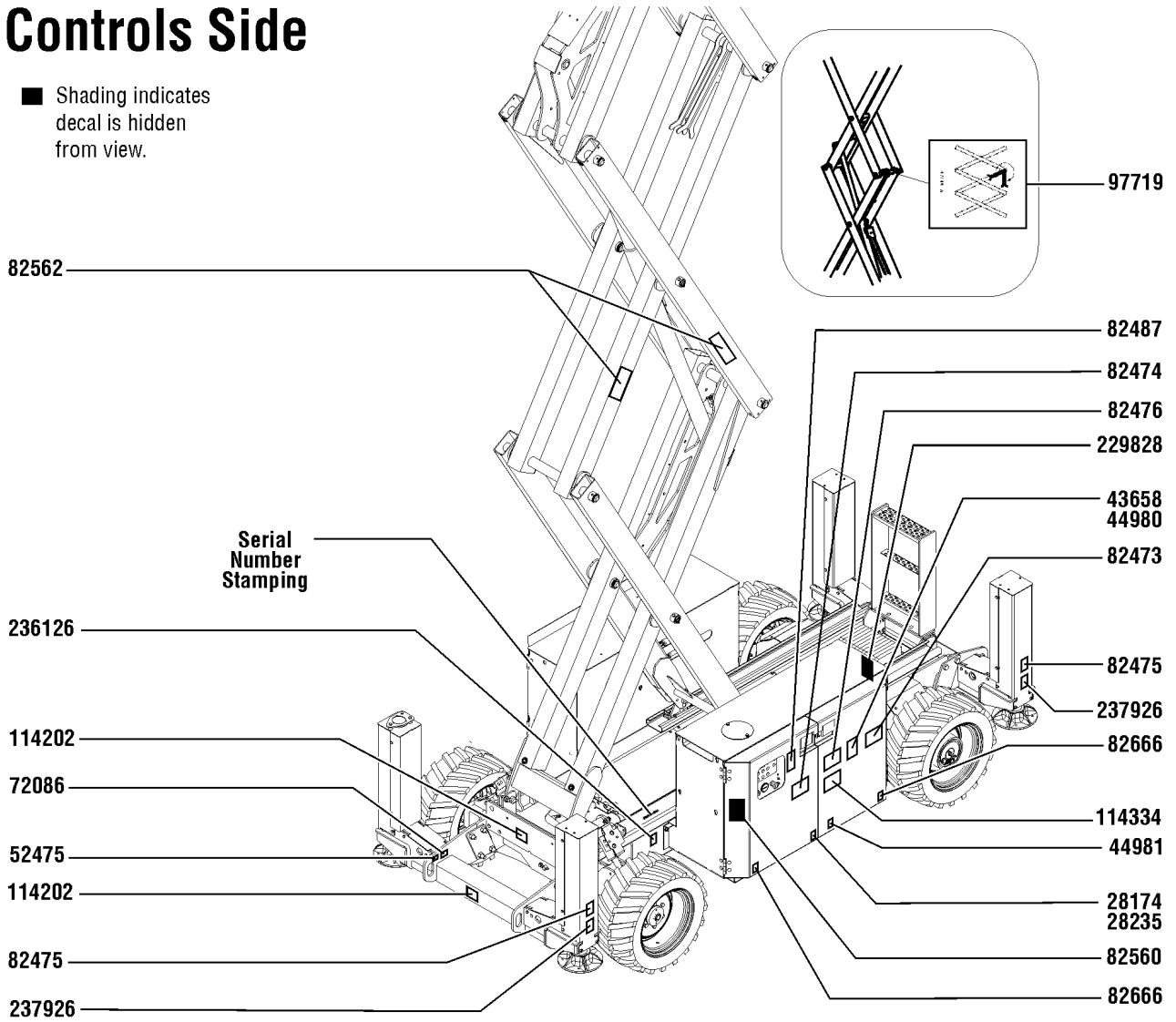
121.1 Decals with Symbols, GS-4069, Battery Side

Item	Part No.	Description	Qty.
--	216834	DECAL KIT,4069DC COMP,SYM,ANSI <i>(Decal kit, complete for ANSI models only) to SN GS6914-5499</i>	
--	216882	DECAL KIT,4069DC PLAT,SYM,ANSI <i>(Decal kit, platform for ANSI models only) to SN GS6914-5499</i>	
--	216887	DECAL KIT,4069DC COMP,SYM,CE <i>(Decal kit, complete for CE models only) to SN GS6914-5499</i>	
--	216888	DECAL KIT,4069DC PLAT,SYM,CE <i>(Decal kit, platform for CE models only) to SN GS6914-5499</i>	
1	52475	DECAL,LABEL,TRANSPORT TIEDOWN*.....	3
2	72086	DECAL,LABEL,LIFTING EYE.....	3
3	82473	DECAL,SYMBOL-COMP ACCESS.....	1
4	82474	DECAL,SYMBOL-USE SAFETY ARM.....	1
5	82475	DECAL,SYMBOL-FOOT CRUSHING.....	2
6	82476	DECAL,SYMBOL-ELEC HAZARD,GS.....	1
7	82481	DECAL,SYMBOL-BATTERY SAFETY.....	1
8	82562	DECAL,SYMBOL-CRUSHING HAZARD.....	2
9	82666	DECAL,LABEL,FORKLIFT POCKET.....	2
10	114202	DECAL,LABEL,TRANSPORT TIE 68.....	3
11	114337	DECAL,SYM-TIP-OVR,LIM SWITCH.....	1
12	229828	DECAL,LABEL,HOT,SYMBOL.....	1
13	237126	DECAL,LABEL,WHEEL LD,GS4069DC.....	1
14	237924	DECAL,DNGR-TIP-OVR,BATT,J305CE.	1
15	237926	DECAL,LABEL,OUTRIGGER LD..... <i>(option)</i>	2

122.1 Decals with Symbols, GS-4069, Controls Side

Controls Side

■ Shading indicates decal is hidden from view.

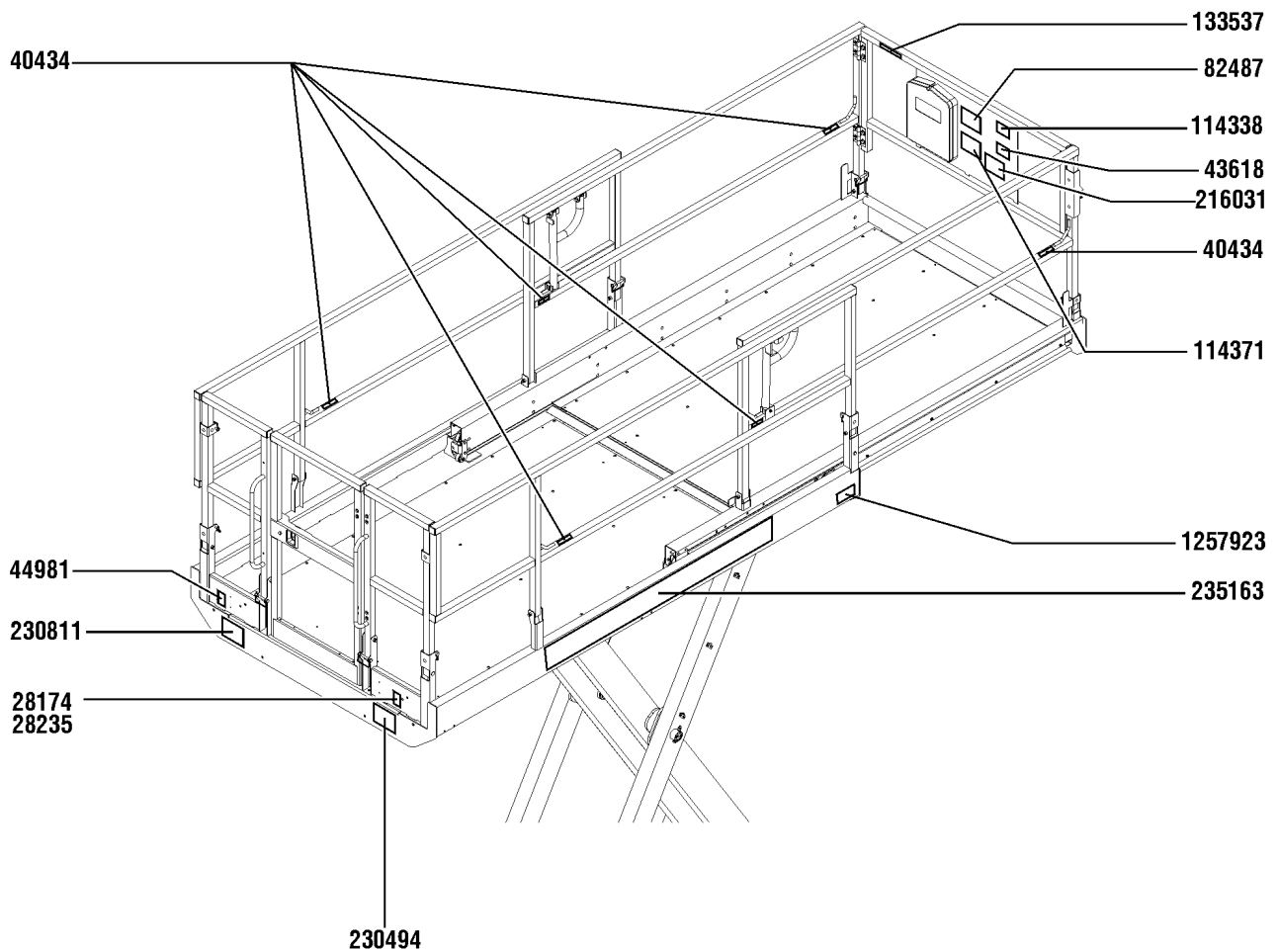
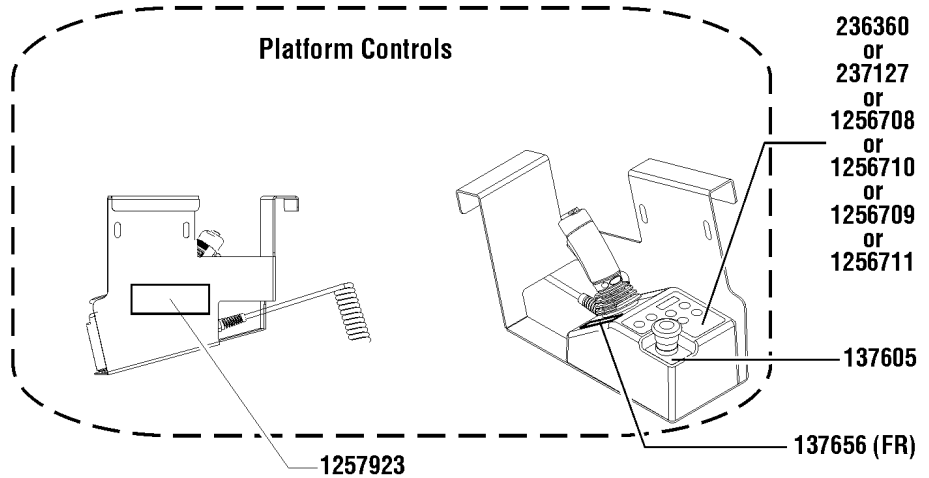


122.1 Decals with Symbols, GS-4069, Controls Side

Item	Part No.	Description	Qty.
--		Ref. Symbol Decal Kits (refer to 121.1)	
1	28174	DECAL,POWER TO PLATFORM 230V.....	1
2	28235	DECAL,POWER TO PLATFORM 115V.....	1
3	43658	DECAL,LABEL,PWR TO CHARGR 230V.....	1
		(option)	
4	44980	DECAL,LABEL,PWR TO CHARGR 115V.....	1
		(option)	
5	44981	DECAL,LABEL,AIRLINE 110 PSI.....	1
		(option)	
6	52475	DECAL,LABEL,TRANSPORT TIEDOWN*.....	1
7	72086	DECAL,LABEL,LIFTING EYE.....	1
8	82473	DECAL,SYMBOL-COMP ACCESS.....	1
9	82474	DECAL,SYMBOL-USE SAFETY ARM.....	1
10	82475	DECAL,SYMBOL-FOOT CRUSHING.....	2
		(option)	
11	82476	DECAL,SYMBOL-ELEC HAZARD,GS.....	1
12	82487	DECAL,SYMBOL-READ THE MANUAL.....	1
13	82560	DECAL,SYMBOL-SKIN INJECT HAZRD.....	1
14	82562	DECAL,SYMBOL-CRUSHING HAZARD.....	2
15	82666	DECAL,LABEL,FORKLIFT POCKET.....	2
16	97719	DECAL, LABEL, SAFETY ARM SYMB.....	1
17	114202	DECAL,LABEL,TRANSPORT TIE 68.....	2
18	114334	DECAL,SYM-ELEC HAZARD,PLUG.....	1
19	229828	DECAL,LABEL,HOT,SYMBOL.....	1
20	237126	DECAL,LABEL,WHEEL LD,GS4069DC.....	2
21	236415	DECAL, GROUND CONTROL PANEL, G.....	1
22	237926	DECAL,LABEL,OUTRIGGER LD.....	2
		(option)	

Platform ANSI models

☐ Shading indicates decal is hidden from view.



123.1 Decals with Symbols, GS-4069, Platform, Asia & S. America

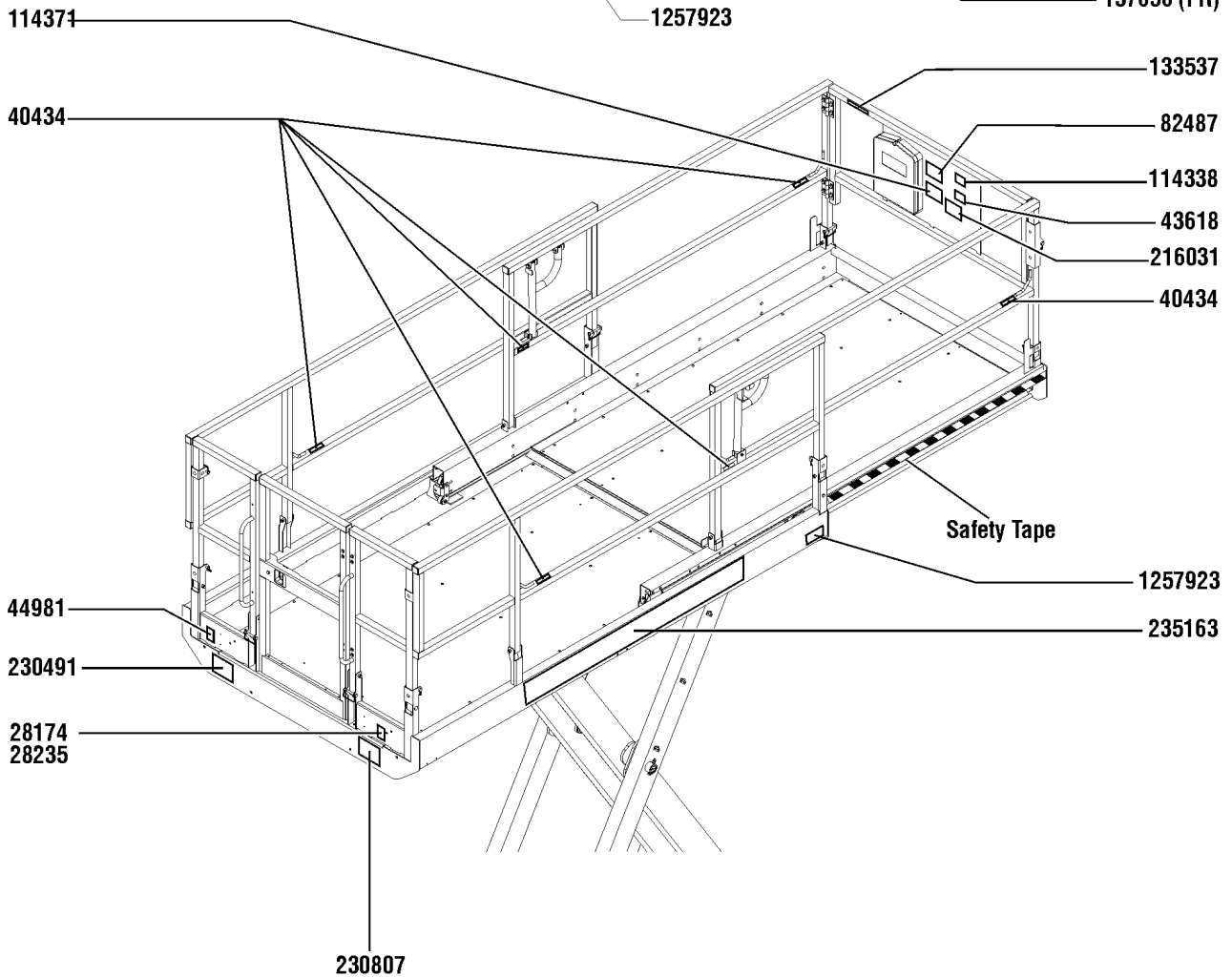
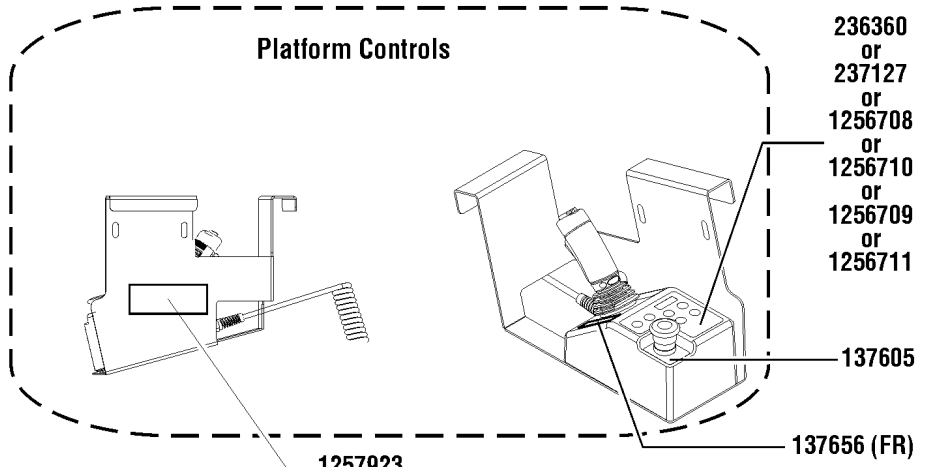
Item	Part No.	Description	Qty.	Item	Part No.	Description	Qty.
--		Ref. Symbol Decal Kits <i>(refer to 121.1)</i>		20	1256710	DECAL,O/R,PROP LIFT,69DC,UI....1 <i>(models with outriggers and 5 button, proportional controller)</i>	
1	28174	DECAL,POWER TO PLATFORM 230V.....1	1	21	1256711	DECAL, O/R, PROP LIFT, 69DC, U.....1 <i>(models with outriggers that are converted from 7 button, 2 speed lift to 5 button, proportional controller)</i>	
2	28235	DECAL,POWER TO PLATFORM 115V.....1	1	22	1257923	DECAL, SMARTLINK PROPORTIONAL.....2 <i>(models with proportional controller)</i>	
3	40434	DECAL,LANYARD ANCHORAGE POINT.....6	6				
4	43618	DECAL,LABEL-DIRECTION ARROWS.....1	1				
5	44981	DECAL,LABEL,AIRLINE 110 PSI....1 <i>(option)</i>	1				
6	82487	DECAL,SYMBOL-READ THE MANUAL.....1	1				
7	114338	DECAL,SYM-TIP-OVR,TILT ALARM.....1	1				
8	114371	DECAL,SYM-TIP-OVER,OUTRGR..1 <i>(models with outriggers)</i>	1				
9	133537	DECAL,CRUSH HAZ RAILS SYMB.....1	1				
10	137605	DECAL,E-STOP,GR/GRC/GS PCON.....1	1				
11	137656	DECAL,PROPEL,GR/GRC/GS,PCON.1	1				
12	216031	DECAL,DANGER,RUNAWAY HAZ, SYM.....1	1				
13	230494	DECAL,DANGER,SIDE FRC,GS4069.....1	1				
14	230811	DECAL,NOTICE,MAX CAP GS4069.....1	1				
15	235163	DECAL COSMETIC,GS4069DC....1	1				
16	236360	DECAL, UI, GS69DC,PCON.....1 <i>(models without outriggers and with 5 button, 2 speed controller) to SN GS6914-5499</i>	1				
17	237127	DECAL,UI,GS69DC W/OR,PCON....1 <i>(models with outriggers and 7 button, 2 speed controller) to SN GS6914-5499</i>	1				
18	1256708	DECAL,STD,PROP LIFT,69DC,UI....1 <i>(models without outriggers and with 3 button, proportional controller)</i>	1				
19	1256709	DECAL, STD, PROP LIFT, 69DC, U.....1 <i>(models without outriggers that are converted from 5 button, 2 speed lift to 3 button, proportional controller)</i>	1				



124.1 Decals with Symbols, GS-4069, Platform, CE

Platform CE models

☐ Shading indicates decal is hidden from view.

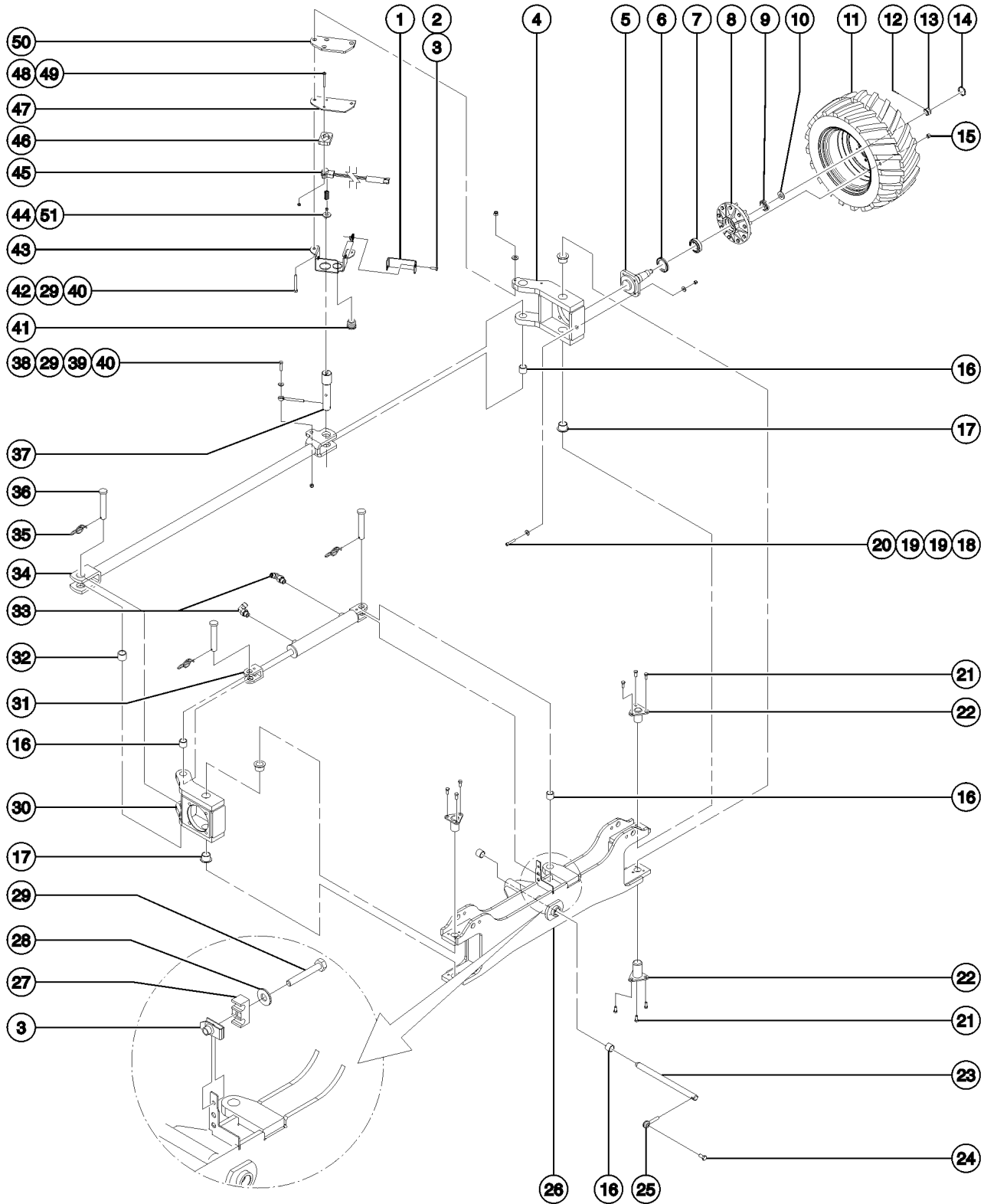


124.1 Decals with Symbols, GS-4069, Platform, CE

Item	Part No.	Description	Qty.	Item	Part No.	Description	Qty.
--		Ref. Symbol Decal Kits <i>(refer to 121.1)</i>		20	1256710	DECAL,O/R,PROP LIFT,69DC,UI....1 <i>(models with outriggers and 5 button, proportional controller)</i>	
1	28174	DECAL,POWER TO PLATFORM 230V.....1		21	1256711	DECAL, O/R, PROP LIFT, 69DC, U.....1 <i>(models with outriggers that are converted from 7 button, 2 speed lift to 5 button, proportional controller)</i>	
2	28235	DECAL,POWER TO PLATFORM 115V.....1		22	1257923	DECAL, SMARTLINK PROPORTIONAL.....2 <i>(models with proportional controller)</i>	
3	40434	DECAL,LANYARD ANCHORAGE POINT.....6					
4	43618	DECAL,LABEL-DIRECTION ARROWS.....1					
5	44981	DECAL,LABEL,AIRLINE 110 PSI....1 <i>(option)</i>					
6	82487	DECAL,SYMBOL-READ THE MANUAL.....1					
7	114338	DECAL,SYM-TIP-OVR,TILT ALARM.....1					
8	114371	DECAL,SYM-TIP-OVER,OUTRGR..1 <i>(option)</i>					
9	133537	DECAL,CRUSH HAZ RAILS SYMB.....1					
10	137605	DECAL,E-STOP,GR/GRC/GS PCON.....1					
11	137656	DECAL,PROPEL,GR/GRC/GS,PCON.1					
12	230491	DECAL,NOTICE,MAX CAP GS4069.....1					
13	216031	DECAL,DANGER,RUNAWAY HAZ, SYM.....1					
14	230807	DECAL,DANGER,MAN FRC, GS4069.....1					
15	235163	DECAL COSMETIC,GS4069DC....1					
16	236360	DECAL, UI, GS69DC,PCON.....1 <i>(models without outriggers and with 5 button, 2 speed controller) to SN GS6914-5499</i>					
17	237127	DECAL,UI,GS69DC W/OR,PCON....1 <i>(models with outriggers and 7 button, 2 speed controller) to SN GS6914-5499</i>					
18	1256708	DECAL,STD,PROP LIFT,69DC,UI....1 <i>(models without outriggers and with 3 button, proportional controller)</i>					
19	1256709	DECAL, STD, PROP LIFT, 69DC, U.....1 <i>(models without outriggers that are converted from 5 button, 2 speed lift to 3 button, proportional controller)</i>					



201.1 Steer Axle Linkage, Wheels and Drive Motors



201.1 Steer Axle Linkage, Wheels and Drive Motors

Item	Part No.	Description	Qty.	Item	Part No.	Description	Qty.
1	237773	FORMING, STEER SENSOR COVER PL.....	1	20	104328	NUT,HEX,1/2-13 GRD 8	
2	6090	SCREW,HHC,1/4-20 X .75		21	49857	SCREW,HHC,3/8-16 X .88,GRD 8.....	16
3	56912	SPRING CLIP,1/4-20,.025-.15X.5		22	131616	WELDMENT,KING PIN.....	4
4	235375	ASSEMBLY, STEER YOKE, LFT..... <i>(includes 2 each items of 17 and 1 each item 16)</i>	1	23	237340	PIN,OSC PIVOT.....	1
5	231650	WELDMENT,FRONT STEER,GS69DC.....	1	24	8255	SCREW,HHC,3/8-16 X .75	
6	54960	SEAL-GREASE,9-BOLT HUB 54840.....	1	25	25284	ROD END,.375 X 2.25***.....	1
7	54961	BEARING,INNER,9 BOLT HUB***.....	1	26	131602	WELDMENT,OSC.AXLE.....	1
8	54958	HUB,SUB ASSEMBLY,9 BOLT***.....	1	27	148396	CLAMP,HOSE,2X#4,GS69.....	1
9	54962	BEARING,OUTER,9 BOLT HUB***.....	1	28	6638	WASHER,FLAT,USS,1/4"Y	
10	45112	WASHER,SPINDLE.....	1	29	6637	SCREW,HHC,1/4-20 X 1.75.....	1
11A	1258632	WHEEL ASSY,FOAM,12X26,NM,LF..... <i>RT, Foam-filled, Non-marking, controls side (left front) (water-based foam)</i>	1	30	238299	ASSEMBLY, STEER YOKE, RT..... <i>(includes 2 each items of 17 and 1 each item 16 and 32)</i>	1
11B	1258633	WHEEL ASSY,FOAM,12X26,NM,RF..... <i>RT, Foam-filled, Non-marking, engine side (right front) (water-based foam)</i>	1	31	89065	CYLINDER,STEER***.....	1
11C	125875	WHEEL ASSY,FOAM,12X26,NM,LF..... <i>RT, Foam-filled, Non-marking, controls side (left front) (petroleum-based foam)</i>	1	--	89066	SEAL KIT,STEER CYL (89065).....	1
11D	1258760	WHEEL ASSY,FOAM,12X26,NM,RF..... <i>RT, Foam-filled, Non-marking, engine side (right front) (petroleum-based foam)</i>	1	32	53452	BEARING,1.00IDX1.50ODX1.00L....	1
11E	-	WHEEL ASSEMBLY, HI FLOAT FOAM, DC, FRONT..... <i>(available soon)</i>	2	33	48911	ELBOW,90D,520220-4-6***.....	2
12	45114	PIN,COTTER,.219 X 1.75.....	1	34A	219903	KIT,SERVICE,TIE ROD,GS69DC..... <i>to SN GS6913-1755</i>	1
13	45113	NUT,SPINDLE,1-14.....	1	34B	219356	WELDMENT,TIE ROD,GS69DC..... <i>from SN GS6913-1756</i>	1
14	54959	CAP,DUST (54840 HUB ASSY).....	1	35	74389	RUE RING 1.00.....	3
15	54627	NUT,LUG,5/8-18 X 90 DEGREE,Z45.....	1	36	19440	PIN,CLEVIS,1 X 2.5 LG.....	3
16	25817	BEARING,1.00IDX1.25ODX1.00L....	5	37A	219903	KIT,SERVICE,TIE ROD,GS69DC..... <i>to SN GS6913-1755</i>	1
17	148353	BEARING,BRZ,FL,1.25X1.50X1.1...4		37B	219206	PIN,CLEVIS,1X5.55 LG,GS69DC.... <i>from SN GS6913-1756</i>	1
18	236813	SCREW,SHC,1/2-13 x 2.5 ZINC		38	8915	SCREW,HHC,1/4-20 X 1.25.....	1
19	229167	WASHER,FLAT .56 X 1.375 X .11		39	45748	ROD END,.250 X 2.75 LG.....	1
				40	6091	NUT,NYLOCK,1/4-20.....	1
				41	60746	BUSHING, STRAIN RELIEF, 1".....	1
				42	4266	SCREW,HHC,1/4-20 X 2.....	1
				43	235662	FORMING, STEER SENSOR COVER, G.....	1
				44	110556	STEER SENSOR ACTUATOR,HEX.....	1
				45	233767	STEER SENSOR ASSEMBLY..... <i>(complete assembly includes part number 237254)</i>	1
				--	237254	ASSY,STEER SENSOR, GS69DC..... <i>(includes steer sensor and pigtail)</i>	1



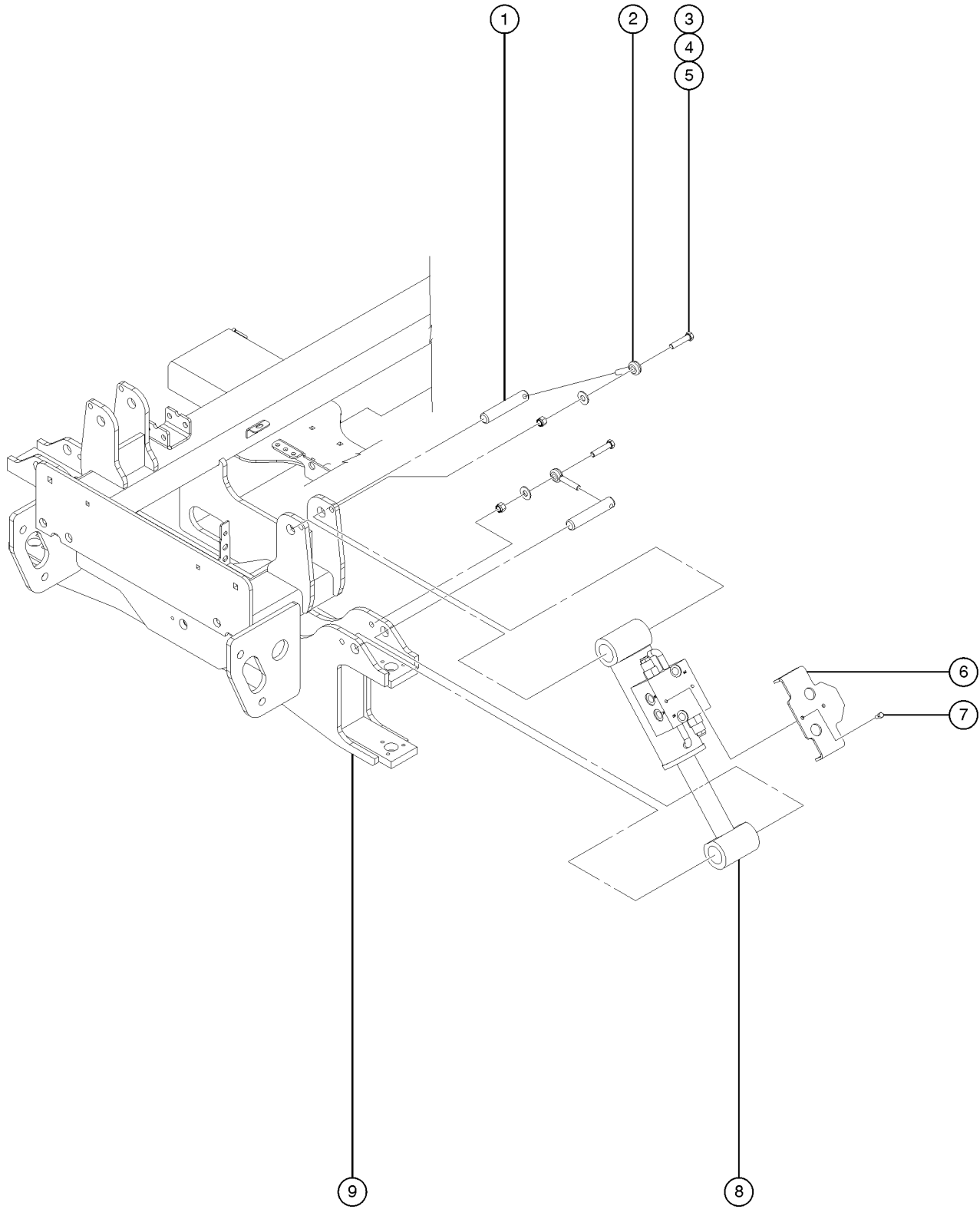
201.1 Steer Axle Linkage, Wheels and Drive Motors
(continued)

Item	Part No.	Description	Qty.
46	232853	SPACER,STEER SENSOR.....1 <i>to SN 1575</i>	1
--	219279	SPACER,STEER SENSOR,UHMW.....1 <i>from SN 1576</i>	1
47	235663	PLATE, STEER SENSOR BRACKET, G.....1	1
48	49775	SCREW,PHILLIPS,PHM,10-32X 1.75.....1	1
49	14392	NUT,LP NYLOCK,10-32.....1	1
50	232852	PLATE,STEER SENSOR SPACER,GS69.....1	1
51	119910	SPRING,COMP,300 OD X .63LG.....1 <i>from SN GS6913-1756</i>	1

201.1 Steer Axle Linkage, Wheels and Drive Motors
(continued)

This Page Intentionally Left Blank

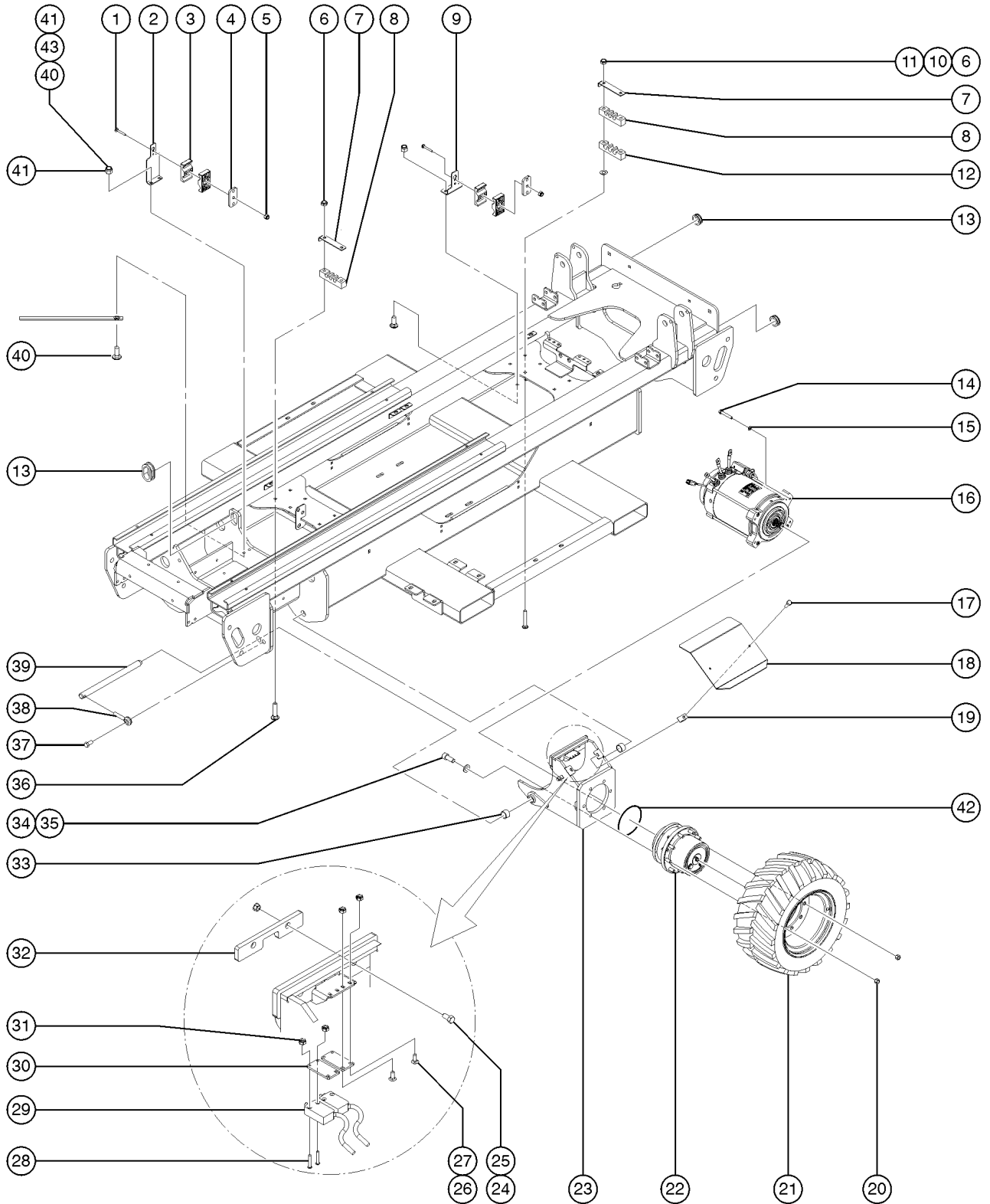
202.1 Steer Axle Linkage, Oscillation



202.1 Steer Axle Linkage, Oscillation

Item	Part No.	Description	Qty.
1	67387	PIN,1.00DIAX5.27LG,1HOLE.....	4
2	25284	ROD END,.375 X 2.25***.....	4
3	13918	SCREW,HHC,3/8-16 X 1.75,GRD.8.....	4
4	6097	WASHER,FLAT,USS,3/8",Y.....	4
5	4828	NUT,NYLOCK,3/8-16.....	4
6	148400	FORMING,OSC.COVER,GS69.....	2
7	7339	SCREW,HHC,1/4-20 X .5.....	4
8		Ref. CYLINDER, OSCILATING,GS69 (refer to 503.1)	
9		Ref. WELDMENT,OSC.AXLE (refer to 201.1)	

203.1 Non-Steer Axle and Drive Motors

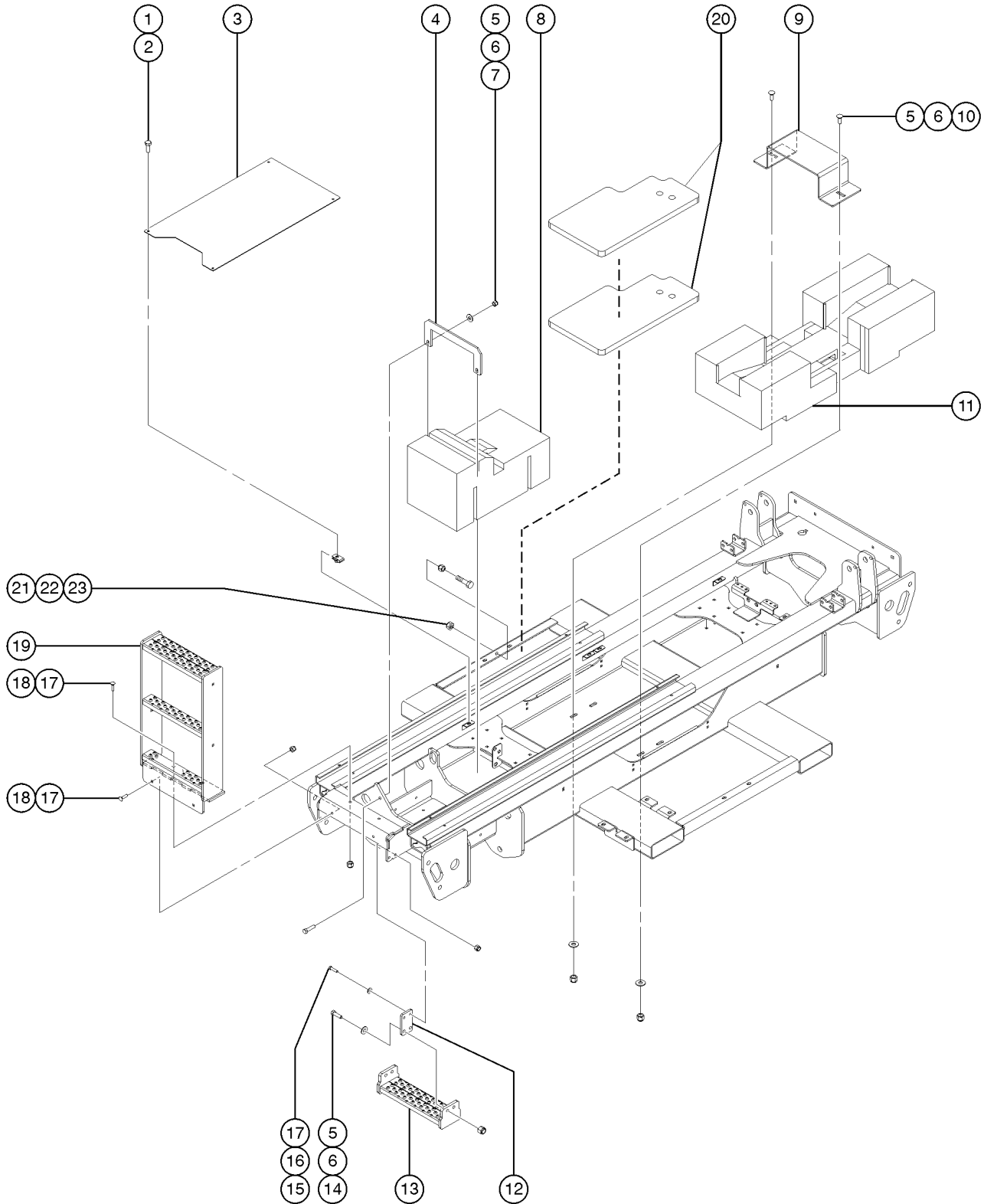


203.1 Non-Steer Axle and Drive Motors

Item	Part No.	Description	Qty.	Item	Part No.	Description	Qty.
1	73464	BOLT,CARRIAGE,1/4-20 X 1.75,G2.....	4	22	106445	WHEEL DRIVE,4HB,57:1***.....	2
2	T107969	FORMING,REAR DRIVE HOSE CLAMP.....	2	--	106121	ROD,DISCONNECT 4HP/4HB*** for 106445	
3	78736	CLAMP,2 HOSE,PLASTIC,5/8.....	8	--	106122	CAP,DISENGAGE,4HP/4HB*** for 106445	
4	112589	PLATE,HOSE ROUTING,BULKHEAD.....	4	--	106123	O-RING,END COVER,4HP/4HB*** for 106445	
5	6091	NUT,NYLOCK,1/4-20		--	106508	SEAL KIT,WHEEL DRIVE,4HB*** for 106445	
6	7713	NUT,LP NYLOCK,3/8-16		--	21149	LUG,WHEEL STUD,5/8-18,W1/4HB** for 106445	
7	T107978	FORMING,CLAMP,CHASSIS,FRONT.	4	--	58320	KIT,TORQUE HUB COVER(101584)** for 106445	
8	T109744	CLAMP,HOSE,FRONT,3X#4.....	4	--	74714	BEARING KIT-74097 TORQUE HUB** for 106445	
9	T107936	FORMING,DRIVE HOSE CLAMP MOUNT.....	2	--	83092	SNAP RING (74097) for 106445	
10	87684	PUSH RETAINER, 3/8" SCREW....	4	23	235377	ASSY,DC REAR AXLE.....	2
11	112476	BOLT,CARRIAGE,3/8-16X2.75,G5...	4			<i>includes item 33</i>	
12	T109745	CLAMP,HOSE,FRONT,2X#4,#6.....	2	24	33987	SCREW,HHC,1/2-13 X 1, GR 5	
13	T109739	GROMMET,RUBBER,1.75 ID.....	12	25	96320	NUT,LOCKING-LG.FLANGE, «-13	
14	50793	SCREW,HHC,5/16-18 X 2		26	71874	BOLT,CARRIAGE,#10-24X.50,G2	
15	6886	WASHER,LOCK,.313		27	5365	NUT,NYLOCK,10-24	
16	232523	MOTOR,DRIVE,AC,INT. BRAKE,IP67.....	1	28	18540	SCREW,RHM,8-32 X 1	
17	6090	SCREW,HHC,1/4-20 X .75		29	148236	SWITCH,LIMIT,PLUNGER,SMALL..	4
18	131755	COVER,REAR AXLE		30	131640	PLATE,SENSE AXLE SWITCH.....	4
19	56912	SPRING CLIP,1/4-20,.025-.15X.5....	4	31	18605	NUT,NYLOCK,8-32	
20	54627	NUT,LUG,5/8-18 X 90 DEGREE,Z45.....	18	32	131639	PAD,SENSE AXLE REST.....	2
21A	1258628	WHEEL ASSY,FOAM,12X26,NM,LR.....	1	33	51474	BEARING,1.00IDX1.25ODX0.75L....	4
		<i>RT, Foam-filled, Non-marking, controls side (left rear) (water-based foam)</i>		34	112512	SCREW,SHC,5/8-11 X 1.5 NDPATCH	
21B	1258629	WHEEL ASSY,FOAM,12X26,NM,RR.....	1	35	13064	WASHER,FLAT,.625 HARDENED	
		<i>RT, Foam-filled, Non-marking, engine side (right rear) (water-based foam)</i>		36	112572	BOLT,CARRIAGE,3/8-16X1.75	
21C	1258753	WHEEL ASSY,FOAM,12X26,NM,LR.....	1	37	8255	SCREW,HHC,3/8-16 X .75	
		<i>RT, Foam-filled, Non-marking, controls side (left rear) (petroleum-based foam)</i>		38	25284	ROD END,.375 X 2.25***.....	2
21D	1258754	WHEEL ASSY,FOAM,12X26,NM,RR.....	1	39	237340	PIN,OSC PIVOT.....	2
		<i>RT, Foam-filled, Non-marking, engine side (right rear) (petroleum-based foam)</i>		40	73466	BOLT,CARRIAGE,3/8-16 X 1.00,G2.....	8
21E	131695	ASSY, HI FLOAT TIRE/WHEEL REAR.....	2	41	4828	NUT,NYLOCK,3/8-16.....	8
				42	110965	O-RING,.188 X 5'OD,BUNA N,70A.....	1
				43	54436	GROUND STRAP,18"LG from GS6913-2107	
				--	87684	PUSH RETAINER, 3/8" SCREW not included, sold seperately	



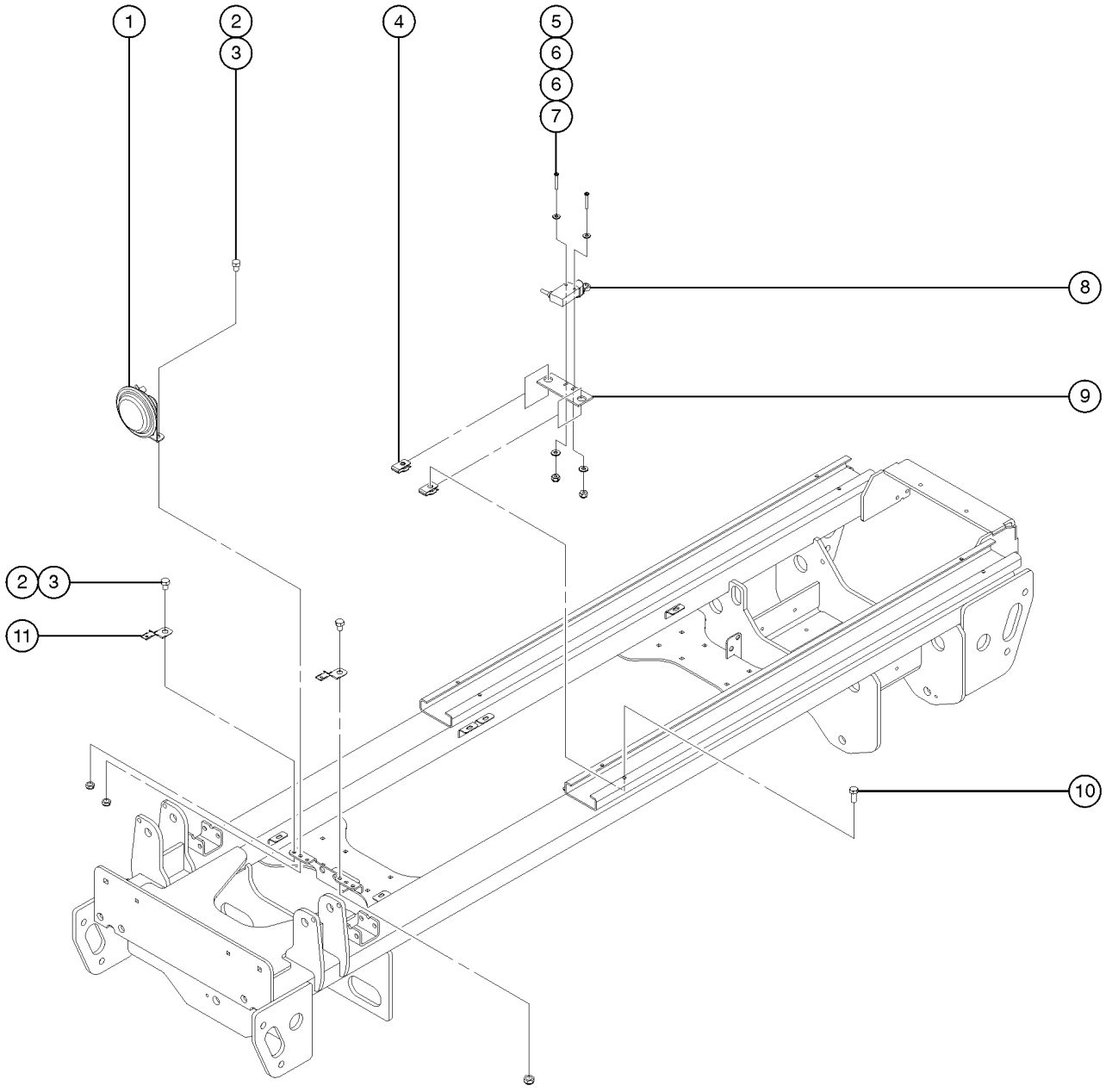
204.1 Ladder and Counterweight



204.1 Ladder and Counterweight

Item	Part No.	Description	Qty.
1	6090	SCREW,HHC,1/4-20 X .75.....	8
2	56912	SPRING CLIP,1/4-20,.025-.15X.5.....	8
3	148271	FORMING,CHASSIS COVER.....	2
4	T115515	PLATE,REAR CW BRACKET..... (GS-2669 & GS-4069)	1
5	6198	NUT,NYLOCK,1/2-13.....	8
6	6095	WASHER,FLAT,USS,1/2",Y.....	8
7	6096	SCREW,HHC,1/2-13 X 2 GR5.....	2
8	232537	CASTING,CW,REAR,4069..... (GS-2669 & GS-4069)	1
9	T114860	FORMING,MID CW BRACKET..... (GS-4069)	1
10	96977	BOLT,CARRIAGE,1/2-13X1.50,GR5.2	
11	232536	CASTING,CW,MID,4069..... (GS-4069)	1
12	148403	STRAP, RUBBER STEP SUPPORT.....	2
13	148292	WELDMENT,LOWER LADDER STEP.....	1
14	22788	SCREW,HHC,1/2-13 X 1.75.....	4
15	8516	SCREW,HHC,3/8-16 X 1.50,GR5.....	4
16	6097	WASHER,FLAT,USS,3/8",Y.....	4
17	4828	NUT,NYLOCK,3/8-16.....	8
18	60790	BOLT,CARRIAGE,3/8-16 X1.50,G5.....	4
19A	148277	WELDMENT,26/32 LADDER..... (GS-2669 and GS-3369)(decals not included, refer to section 100)	1
19B	148307	WELDMENT, GS4068 LADDER..... (GS-4069)(decals not included, refer to section 100)	1
20	214212	PLATE,COUNTERWEIGHT,DC69 (GS-4069)	
21	104325	SCREW,HHC,1/2-13 X 2.25,GR8..... (GS-4069)	1
22	104328	NUT,HEX,1/2-13 GRD 8..... (GS-4069)	1
23	6086	NUT,LP NYLOCK,1/2-13	

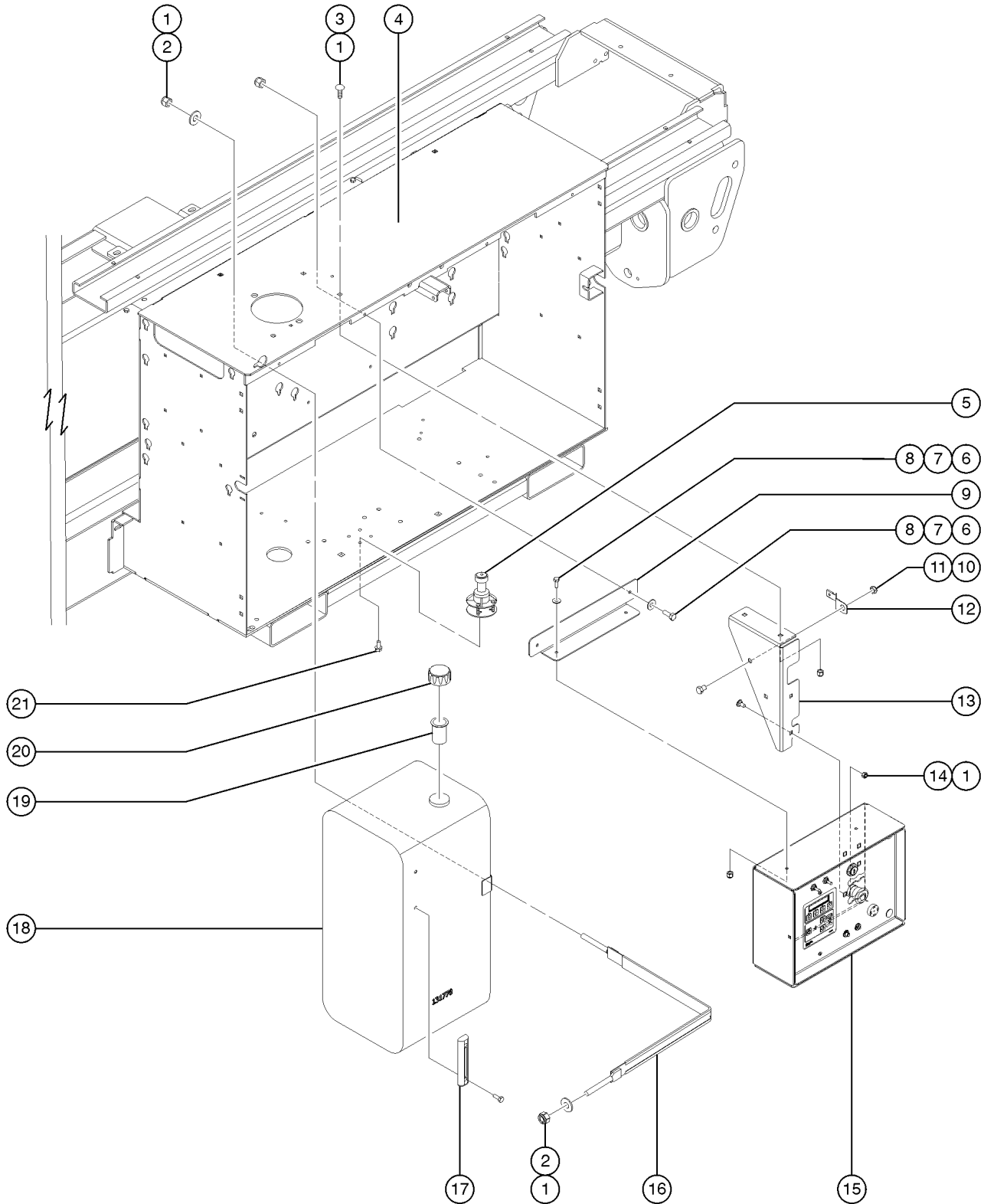
205.1 Drive Chassis, Safety Components



205.1 Drive Chassis, Safety Components

Item	Part No.	Description	Qty.
1	81579	HORN,24VDC,SPADE TERMINALS***.....	1
2	71508	SCREW,HHC,3/8-16 X .50 GR.5.....	2
3	7713	NUT,LP NYLOCK,3/8-16.....	2
4A	29868	SPRING CLIP,3/8-16,.05-.20X.73 to SN 1755	
4B	4828	NUT,NYLOCK,3/8-16..... from SN 1756	2
5	49821	SCREW,PHILLIPS,PHM,8-32 X 1.25.....	2
6	35461	WASHER,FLAT,MS,#8,Y.....	4
7	18605	NUT,NYLOCK,8-32.....	2
8A	105692	SWITCH,LIMIT,W/ROLLER ARM to SN 1755	
8B	220237	SWITCH,LIMIT,ZCY15 ARM..... from SN 1756	1
9A	148413	PLATE,UP L.S. MOUNT to SN 1755	
9B	220153	PLATE,LIMIT SWITCH,LS..... from SN 1756	1
10A	49857	SCREW,HHC,3/8-16 X .88,GRD 8 to SN 1755	
10B	64154	BOLT,CARRIAGE,3/8-16 X1.00,G5..... from SN 1756	2
11	99346	CLIP, METAL MOUNTING.....	3

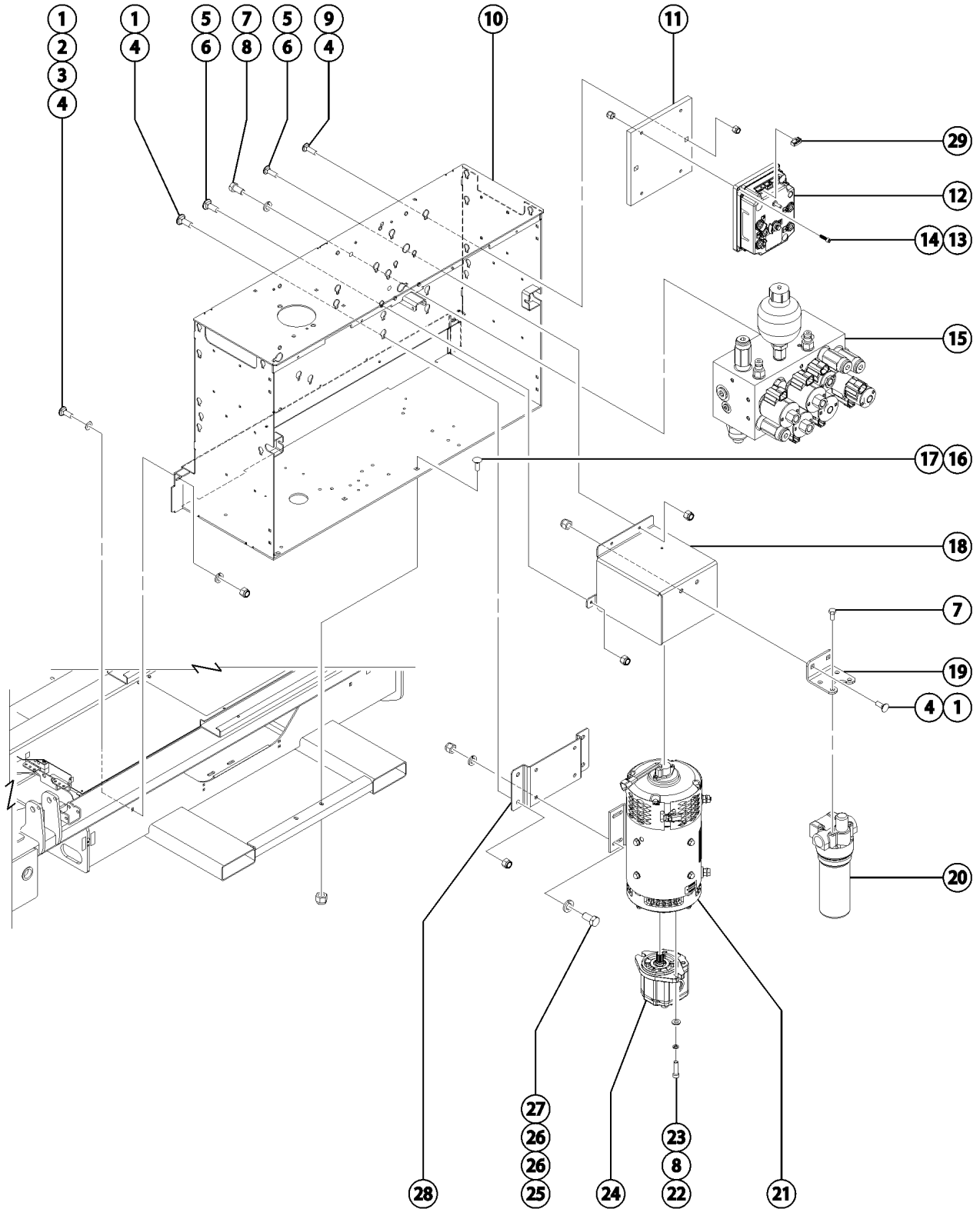
301.1 Hydraulic Tank and Ground Controls Installation



301.1 Hydraulic Tank and Ground Controls Installation

Item	Part No.	Description	Qty.
1	4828	NUT,NYLOCK,3/8-16.....	6
2	6097	WASHER,FLAT,USS,3/8",Y.....	2
3	64154	BOLT,CARRIAGE,3/8-16 X1.00,G5.....	1
4		Ref., WLDMT, HYD BOX GS68 (refer to 302.1)	
5A	71484	SENSOR,LEVEL, ANALOG..... (models with outriggers)	1
5B	78674	LEVEL SENSOR,LS60,BLUE,2X3** (models without outriggers)	
6	6090	SCREW,HHC,1/4-20 X .75.....	4
7	6638	WASHER,FLAT,USS,1/4"Y.....	4
8	6091	NUT,NYLOCK,1/4-20.....	4
9	232549	FORMING, BRACKET, CONTROL BOX,.....	1
10	7713	NUT,LP NYLOCK,3/8-16.....	1
11	71508	SCREW,HHC,3/8-16 X .50 GR.5.....	1
12	99346	CLIP, METAL MOUNTING.....	1
13	235397	FORMING,BRACE,69DC CONTROLS BO.....	1
14	101718	BOLT,CARRIAGE,3/8-16 X .75,G2.....	2
15		Ref., GROUND CONTROLS (refer to 306.1)	
16	T106782	TANK STRAP,BOLT STYLE,HYD,GS69.....	1
--	31658	EXTRUSION,RUBBER BUMPER STRIP	
17	215229	GAUGE,HYDRAULIC TANK T/L VL.....	1
18	131778	TANK,HYDRAULIC,18 GALLON***	1
19	31506	STRAINER,FILLER NECK.....	1
20	131658	CAP,HYDRAULIC TANK,GS68/84/90.....	1
21	230850	SCREW, WASH HEAD, 20-9X5/8.....	4

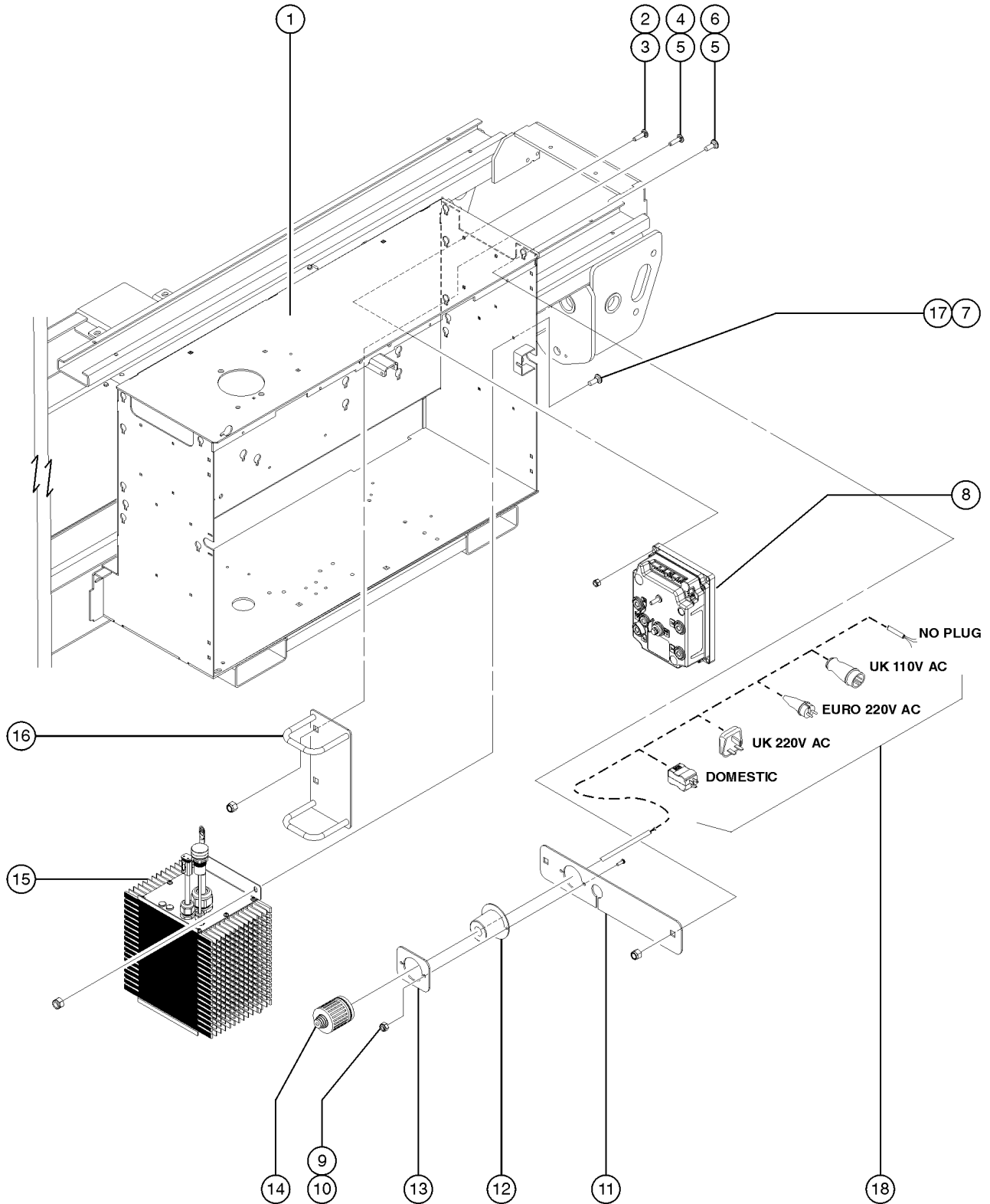
302.1 Hydraulic Tray Components, View 1



302.1 Hydraulic Tray Components, View 1

Item	Part No.	Description	Qty.	Item	Part No.	Description	Qty.
1	64154	BOLT,CARRIAGE,3/8-16 X1.00,G5.....	4	26	5397	WASHER,FLAT,USS,5/16",Y.....	8
2	87684	PUSH RETAINER, 3/8" SCREW.....	2	27	6782	NUT,NYLOCK,5/16-18.....	4
3	6097	WASHER,FLAT,USS,3/8",Y.....	2	28	236021	FORMING, MOTOR BRACKET.....	1
4	4828	NUT,NYLOCK,3/8-16.....	10	29	160536	CONN,BLANK,L MTR CTRL,GS69DC.....	1
5	6878	BOLT,CARRIAGE,1/4-20 X .75,G2.....	4				
6	6091	NUT,NYLOCK,1/4-20.....	4				
7	8255	SCREW,HHC,3/8-16 X .75.....	6				
8	6021	WASHER,LOCK, .375.....	2				
9	105092	BOLT,CARRIAGE,3/8-16X1.25,GR5.2					
10A	131800	WLDMT, HYD BOX GS68..... <i>to SN GS6914-3661</i>	1				
10B	1253426	WELDMENT,BOX,HYD <i>from SN GS6914-3662</i>					
11	238382	PLATE, MTG, MOTOR CONTROLLER.....	1				
12	230488	MOTOR CONTROLLER,48VAC,3PH.....	1				
13	238383	SCREW,SHC,1/4-20 X .875.....	4				
14	6889	NUT,LP NYLOCK,1/4-20.....	4				
15		Ref., Function Manifold <i>(refer to 501.1)</i>					
16	96203	BOLT,CARRIAGE,1/2-13X1.75, G5					
17	6198	NUT,NYLOCK,1/2-13					
18	215213	WELDMENT, MOTOR SPRAY GUARD.....	1				
19	71202	FORMING,HIGH PRESS FILTER BRKT.....	1				
20	60334	FILTER ASSY,HIGH PRESS SAE-12*.....	1				
--	58222	O-RING,FILTER ASSY (60334)***					
--	58223	SEAL,FILTER ASSY (60334)***					
--	60857	FILTER,ELEMENT,BETA(5)=1000					
21	230485	MOTOR W/TACH,48VDC,12.25 HP.....	1				
--	128009	SPEED SENSOR KIT <i>includes sensor, magnet, and fasteners</i>					
22	55921	SCREW,SHC,3/8-24 X 1.25".....	2				
23	22699	WASHER,FLAT,M10,ZINC PLTD.....	2				
24	214222	PUMP, GEAR, 6CC.....	1				
25	13002	SCREW,HHC,5/16-18 X 1 GR5.....	4				

303.1 Hydraulic Tray Components, View 2

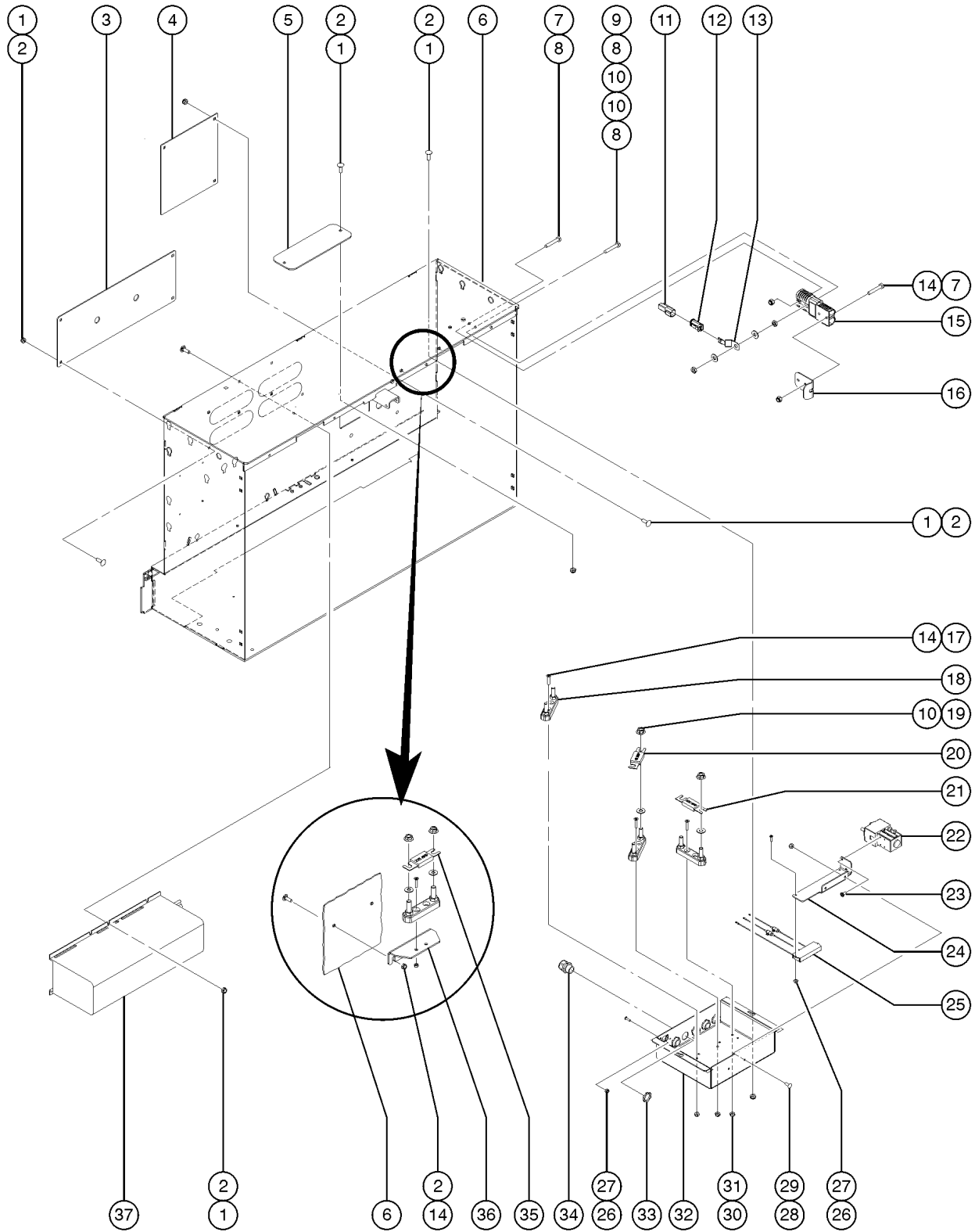


303.1 Hydraulic Tray Components, View 2

Item	Part No.	Description	Qty.	Item	Part No.	Description	Qty.
--	161359	CABLE ASSY, BATTERY CHARGER		16	215330	WLDMNT,MTR CNTRL CABLE GUIDE.....	1
--	25388	PLUG,FUSED,250V,13AMP,U.K.** <i>(for UK 220)</i>		17	6091	NUT,NYLOCK,1/4-20	
--	65737	FUSE,13 AMP,220V PLUG*** <i>(for 25388)</i>		18	144161	PLUG,PWR,UK,16AMP,3PIN,BLK <i>(for UK 110)</i>	
--	6666	PLUG,ELECTRICAL,220/50,NOVON <i>(for Euro 220)</i>					
--	Ref.	NO PLUG <i>Ref. No Plug - Consult Factory</i>					
1		Ref., Hyd Box <i>(refer to 302.1)</i>					
2	238383	SCREW,SHC,1/4-20 X .875					
3	6889	NUT,LP NYLOCK,1/4-20					
4	101718	BOLT,CARRIAGE,3/8-16 X .75,G2					
5	4828	NUT,NYLOCK,3/8-16					
6	64154	BOLT,CARRIAGE,3/8-16 X1.00,G5					
7	6878	BOLT,CARRIAGE,1/4-20 X .75,G2					
8		Ref., Motor Controller..... <i>(refer to 302.1)</i>	1				
9	55906	SCREW,PHILLIPS,PHM,8-32 X .5					
10	18605	NUT,NYLOCK,8-32					
11	235719	PLATE,RECESSED PLUG MOUNT,GS69.....	1				
12	105117	PLUG,FLG INLET,15A/125V,2PWGD.....	1				
13	236802	PLT,RECESSED PLUG BACKING, GS6..... <i>(for US 110 models)</i>	1				
--	219058	PLATE,STR RELIEF BACK, DC69 <i>(for models with UK 110, UK 220, Euro 220 and no plug)</i>					
14	105118	GASKET,(BOOT) FLANGE INLET PLG.....	1				
15	128375	CHARGER 48V/30A AUTO AC X-LED.....	1				
--	128376	CORD EURO AC IEC320-C19PIGTAIL <i>(sold seperately) (not shown) (for Euro and UK models)</i>					
--	128377	CORD AC IEC320-C19 TO 110US <i>(sold seperately) (not shown) (for US models)</i>					
--	228947	CLIP,RETAINING,IES CHARGER					
--	228973	KIT,ASSY,LED,IES CHARGER					



304.1 Battery Tray Components, View 1

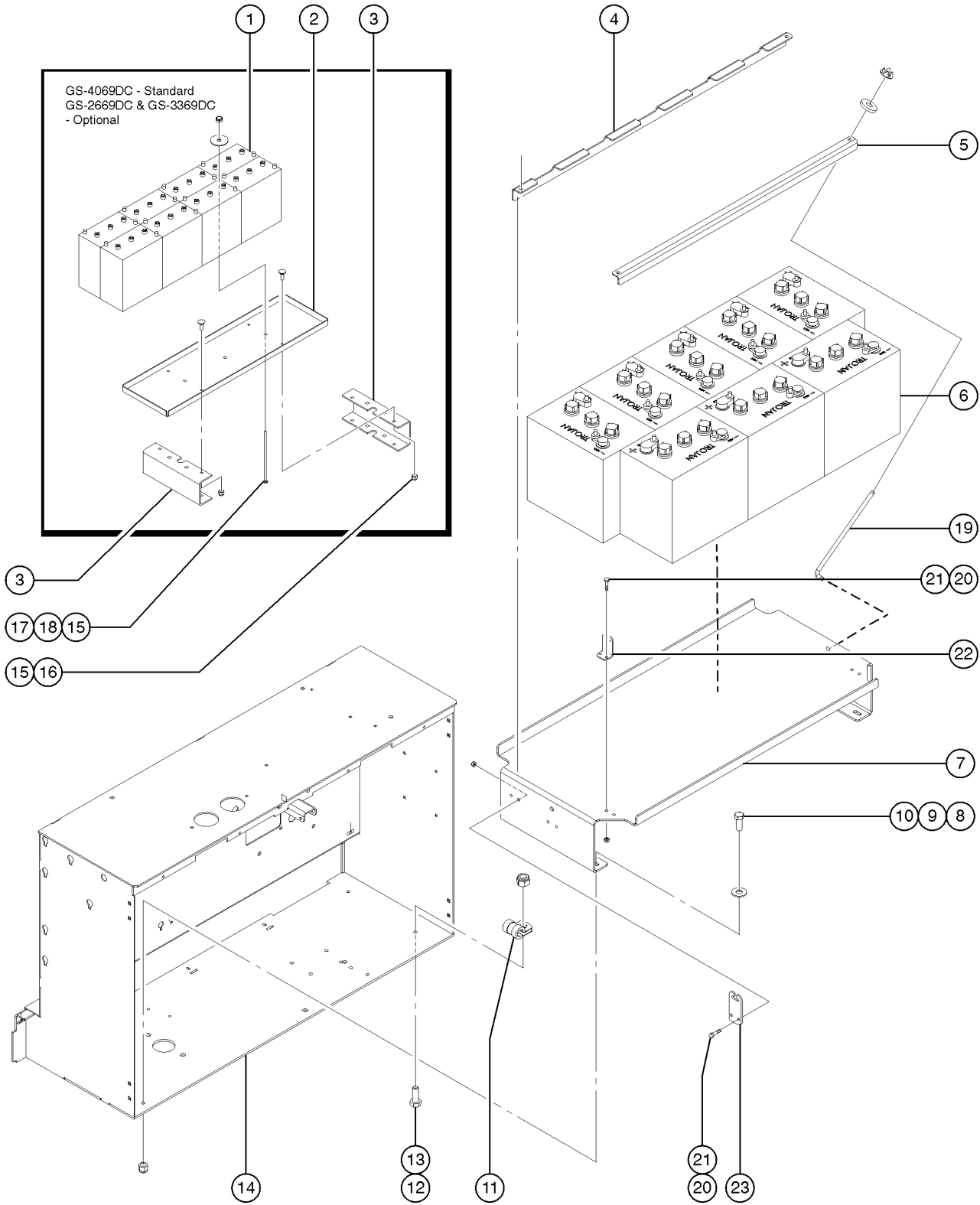


304.1 Battery Tray Components, View 1

Item	Part No.	Description	Qty.	Item	Part No.	Description	Qty.
1	6889	NUT,LP NYLOCK,1/4-20		31	6873	SCREW,FHM,10-32 X 1	
2	6878	BOLT,CARRIAGE,1/4-20 X .75,G2		32	236018	FORMING,FUSE BOX	
3	235696	PLATE, BLOCKOFF, ENGINE VENT.....1		33	14041	LOCKNUT,ELECTRIC,3/4"	
4	235697	PLATE,BLOCKOFF,CLEARANCE HOLES.....1		34	70684	STRAIN RELIEF, 3/4, NPT, GRY	
5	236429	PLATE, RAIN CAP, GS69 DC.....1		35	36372	FUSE,50 AMP,VERY FAST ACTING.....1	
6A	235693	WELDMENT,BATTERY BOX,GS69DC.....1 <i>to SN GS6914-3661</i>		36	119432	FORMING,FUSE MOUNT BRACKET.....1	
6B	1253428	WELDMENT,BOX,BATTERY,DC.....1 <i>from SN GS6914-3662</i>		37	150026	INVERTER,48VDC,120VAC/60HZ...1	
7	8915	SCREW,HHC,1/4-20 X 1.25					
8	66094	NUT-THIN HEAVY HEX, 1/4-20					
9	6145	SCREW,HHC,1/4-20 X 1.5					
10	6638	WASHER,FLAT,USS,1/4"Y					
11	60438	CONN,RECEP 2 WAY,14-18GA					
12	60424	CONN,PLUG 2 WAY,14-18GA					
13	99346	CLIP, METAL MOUNTING					
14	6091	NUT,NYLOCK,1/4-20					
15	66397	QUICK DISCONNECT CASING,BATT**.....1					
--	19436	CONNECTOR,ANDERSON SB 175***					
16	74651	FORMING,HANDLE BATTERY CONN.....1					
17	17626	SCREW,FHM,10-32 X .75.....8					
18	66717	FUSE BLOCK, ANN & ANL FUSE...4					
19	18503	NUT,LOCKING-LG.FLANGE,5/16-18.8					
20	216005	FUSE,40 AMP,NON TIME DELAY,ANL.....1					
21	215488	FUSE,325 AMP,VERY FAST ACTING.....1					
22	74267	CONTACTOR,DRIVE,24V,180A***...1					
23	49818	SCREW,PHILLIPS,PHM,10-32 X .38					
24	236019	FORMING, BATTERY BALANCER BRAC.....1					
25	229642	BATTERY,EQUALIZER,48V-24V,3WIR.1					
26	12344	NUT,NYLOCK,6-32					
27	49820	SCREW,PHILLIPS,PHM,6-32 X .5					
28	71874	BOLT,CARRIAGE,#10-24X.50,G2					
29	5365	NUT,NYLOCK,10-24					
30	6178	NUT,NYLOCK,10-32					



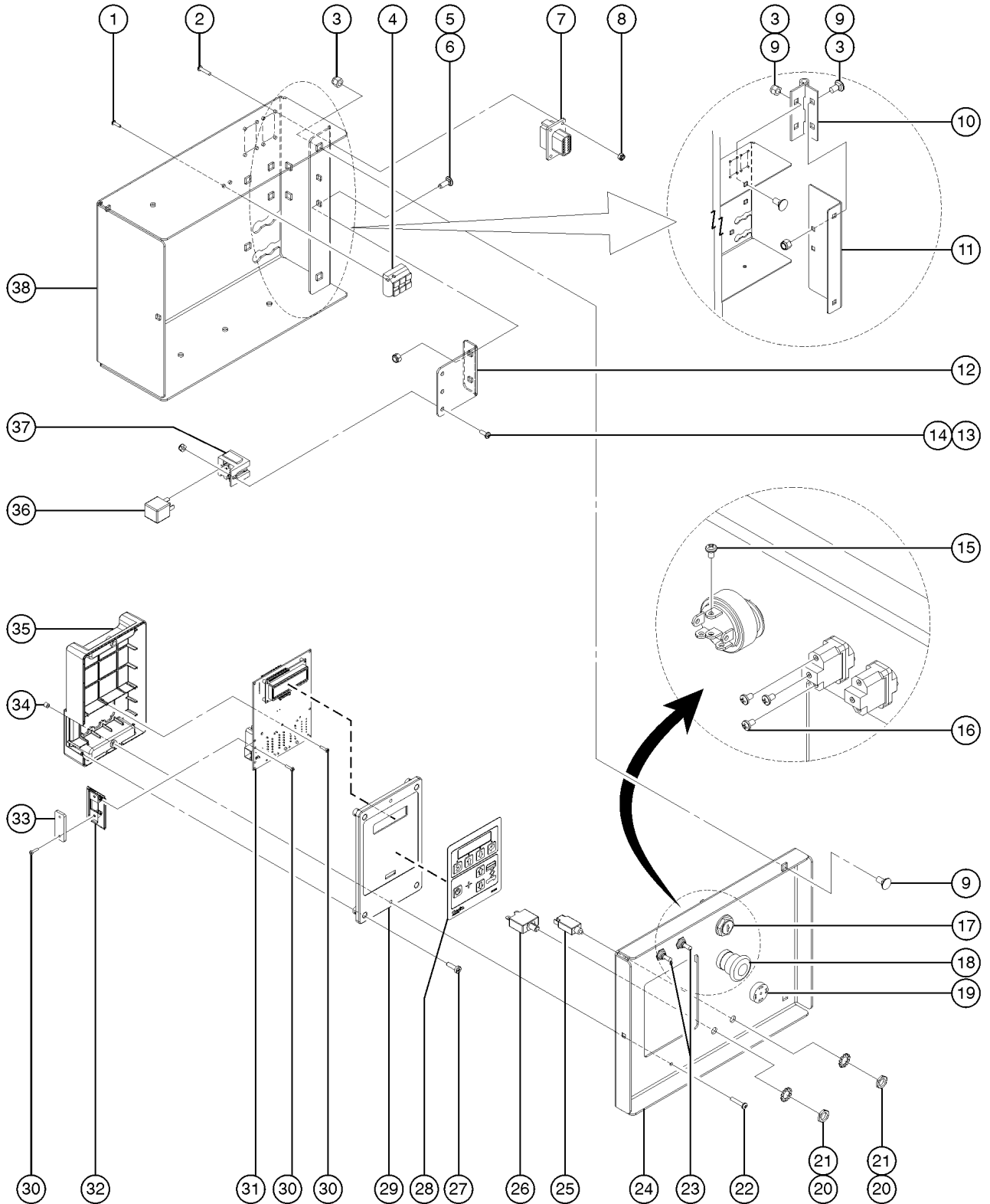
305.1 Battery Tray Components, View 2



305.1 Battery Tray Components, View 2

Item	Part No.	Description	Qty.
1	56462	BATTERY, J 305GH, 315AH.....8 <i>(option) GS-2669DC & GS-3369DC;</i> <i>(standard) GS-4069DC</i>	
2	237431	FORMING,BATT TRAY,J305,GS69DC.....1 <i>(option) GS-2669DC & GS-3369DC;</i> <i>(standard) GS-4069DC</i>	
3	237432	FORMING,TRAY SUP,J305,GS69DC.....2 <i>(option) GS-2669DC & GS-3369DC;</i> <i>(standard) GS-4069DC</i>	
4	235498	FORMING,BATT HOLDER, REAR.....1 <i>GS-2669DC & GS-3369DC only</i>	
5	79469	FORMING,BATTERY HOLDER FRONT.....1 <i>GS-2669DC & GS-3369DC only</i>	
6	76494	BATT,6V,225AH T105 LPT3CAP.....8 <i>(option) GS-2669DC & GS-3369DC</i> <i>only</i>	
7	235497	FORMING, BATTERY SHELF.....4 <i>GS-2669DC & GS-3369DC only</i>	
8	6175	SCREW,HHC,3/8-16 X 1	
9	6097	WASHER,FLAT,USS,3/8",Y	
10	4828	NUT,NYLOCK,3/8-16	
11	45470	CLAMP,0.31,#5 X 1/4,RUB CUSH....1	
12	6090	SCREW,HHC,1/4-20 X .75	
13	6091	NUT,NYLOCK,1/4-20	
14		Ref. BATTERY BOX <i>(refer to 304.1)</i>	
15	6198	NUT,NYLOCK,1/2-13	
16	96203	BOLT,CARRIAGE,1/2-13X1.75, G5	
17	238385	BOLT,CARRIAGE,1/2-13X15	
18	238384	WASHER, FENDER, .125X.531X2.5	
19	6086	NUT,LP NYLOCK,1/2-13	
19	87312	HOOK-BATT HOLD DOWN 12"LG.....4 <i>(includes mounting fasteners)</i>	
20	8914	SCREW,HHC,1/4-20 X .625	
21	6889	NUT,LP NYLOCK,1/4-20	
22	55587	FORMING, BATTERY BRACKET,GS90.....2 <i>(from SN 1764)</i>	
23	160390	PLATE,BATTERY BRACKET,GS69DC.....2 <i>(from SN 1764)</i>	

306.1 Ground Controls

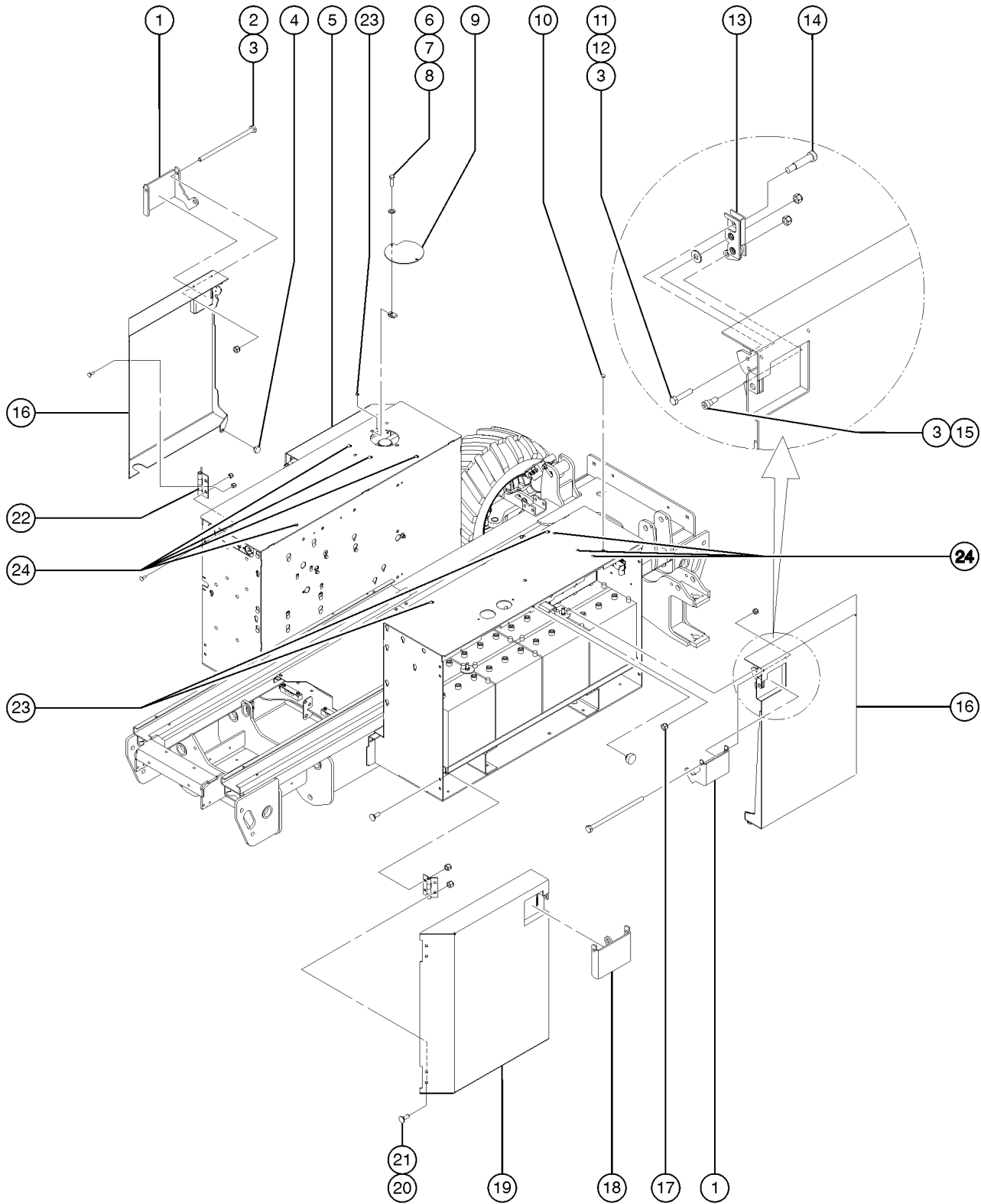


306.1 Ground Controls

Item	Part No.	Description	Qty.	Item	Part No.	Description	Qty.
--	237616	GCON,69 DC SL1K <i>(models without outriggers and models with 2 speed controller) to SN GS6914-5500 (includes items 27 thru 35)</i>		18	66812	BUTTON,PUSH,RED MUSHROOM HEAD.....	1
--	217992	GCON,69DC,OUTRIGGER,SL1K <i>(models with outriggers and models with 2 speed controller) to SN GS6914-5500 (includes items 27 thru 35)</i>		--	66818	CONTACT,NC	
--	1256721	GCON,STD,PROP LIFT <i>(models without outriggers and models with proportional controller) (includes items 27 thru 35)</i>		--	66821	BASE,WITHOUT CONTACTS	
--	1256722	GCON,O/R,PROP LIFT <i>(models with outriggers and models with proportional controller) (includes items 27 thru 35)</i>		19	39540	ALARM,STEADY TONE***	1
1	49820	SCREW,PHILLIPS,PHM,6-32 X .5...	2	20	6700	WASHER,STAR,EXTERNAL,.375....	2
2	45645	SCREW,RHM,8-32 X .75.....	8	21	122994	NICKEL PLATED JAM NUT.....	2
3	4828	NUT,NYLOCK,3/8-16.....	6	22	75041	SCREW,PHILLIPS,PHM,10-32 X 1.....	2
4	214542	TERM BLK,3 POLE/12 POS,LCP....	1	23	128200	SWITCH TOGGLE ASSY SPDT 3P MOM.....	2
5	124580	BOLT,CARRIAGE,1/4X.75,G5.....	2	--	128578	SCREW T-SWITCH PH/PH 6-32X1/4	
6	6091	NUT,NYLOCK,1/4-20.....	2	--	128580	SWITCH TOGGLE SPDT 3P MOM SHDR	
7	73730	CONN,RECEP 12 WAY,GRY FLANGE.....	2	--	27246	BOOT,TOGGLE SWITCH,SHORT*	
8	18605	NUT,NYLOCK,8-32.....	8	24	235382	FORMING, DOOR, GCON MOUNT.....	1
9	101718	BOLT,CARRIAGE,3/8-16 X .75,G2.....	4	25	38020	CIRCUIT BREAKER, 15 AMP.....	1
10	55517	HINGE, GSRT90 BOX.....	1	26	96452	CIRCUIT BREAKER,7.0 AMP***.....	1
11	235381	FORMING, DOOR, BULKHEAD MOUNT.....	1	27	137668	SCREW,PHM,6-19X.75, 48-2 TRI-L.....	4
12	235383	FORMING, BRACKET, RELAY MOUNT.....	1	28	137562	DECAL,MEMBRANE, GR/GRC/GS GCON.....	1
13	49819	SCREW,PHILLIPS,PHM,10-32 X .5.....	2	29	T106366	ENCLOSURE,GC27-25/GC21-19,FRNT.1	
14	6178	NUT,NYLOCK,10-32.....	2	30	137637	SCREW,PHM,4-20X.5, 48-2 TRI-L.....	3
15	96010	SCREW,PHILLIPS,PHM,8-32 X.25**.....	6	31	237618	PCBA,GCON 69 DC SL1K.....	1
16	128578	SCREW T-SWITCH PH/PH 6-32X1/4.....	6	--	218091	PCBA, GC27-25 <i>(option) (for models with outriggers)</i>	
17	96008-S	KEYSWITCH,3 POS. W/KEYS***.....	1	32	137655	ADAPTER, RJ45, GC27-25/GC21-19.....	1
--	37947	KEYS,10 PACK***		33	137584	COVER, RJ45, GC27-25/GC21-19.....	1
--	83093	KEY SINGLE***		34	66842	INSERT, 10-32 X .25.....	2
--	83131	KEYSWITCH,3 POS W/KEYS,LOCKING		35	T106372	ENCLOSURE, GC21-19, BK.....	1
				--	T106371	ENCLOSURE, GC27-25, BK	
				36	56302	RELAY,24VDC,40/30A,SEALED***..	2
				37	34053	ASSY,RELAY SOCKET, AUTO.....	2
				38	235380	FORMING, BOX, CONTROL ENCLOSUR.....	1



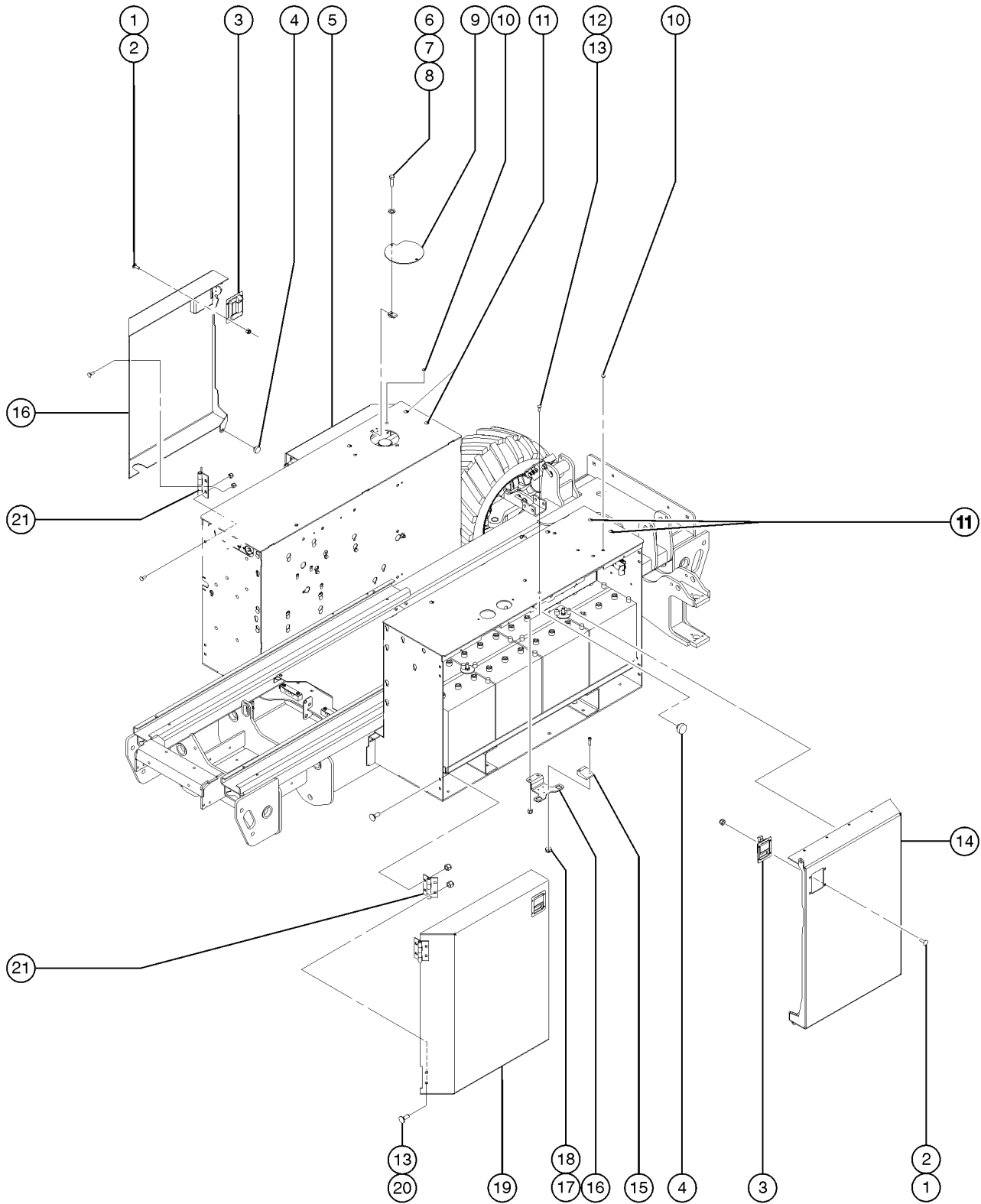
307.1 Chassis Cover Installation (to SN GS6914-3661)



307.1 Chassis Cover Installation (to SN GS6914-3661)

Item	Part No.	Description	Qty.
1	131926	FORMING,DOOR LATCH HANDLE,RT.....	2
2	10744	SCREW,HHC,1/4-20 X 5	
3	6091	NUT,NYLOCK,1/4-20	
4	43392	BUMPER,BATTERY BOX & RAILS.....	8
5	131780	WELDMENT,BOX DOOR,LEFT,WINDOW..... <i>(decals not included, refer to section 100)</i>	1
6	6019	SCREW,HHC,3/8-16 X 1.25 GRD 5	
7	6021	WASHER,LOCK,.375	
8	29868	SPRING CLIP,3/8-16.....	2
9	131873	PLATE,HYD TANK FILLER COVER.....	1
10	45384	PLUG,NYLON .50 BLACK DOMED.....	2
11	161805	SCREW,HHC,1/4-20 X 1.25, TAP	
12	6638	WASHER,FLAT,USS,1/4"Y	
13	105319	LATCH,BATT/HYDR TRAY***.....	4
14	131928	BOLT,SHLDR,3/8X1.25,5/16-18S/S	
15	148291	BOLT,SHLDR,5/16X1/4X1/4-20S/S	
16	131790	WELDMENT,BOX DOOR,RT..... <i>(decals not included, refer to section 100)</i>	2
17	6782	NUT,NYLOCK,5/16-18	
18	131929	FORMING,DOOR LATCH HANDLE,LT.....	2
19	148226	WLDT,BOX DOOR,ENG,LT,GS68.... <i>(decals not included, refer to section 100)</i>	1
20	64154	BOLT,CARRIAGE,3/8-16 X1.00,G5	
21	4828	NUT,NYLOCK,3/8-16	
22	55517	HINGE, GSRT90 BOX.....	5
23	215915	PLUG,NYLON,.291"RING	
24	215914	PLUG,NYLON,.381"RING	

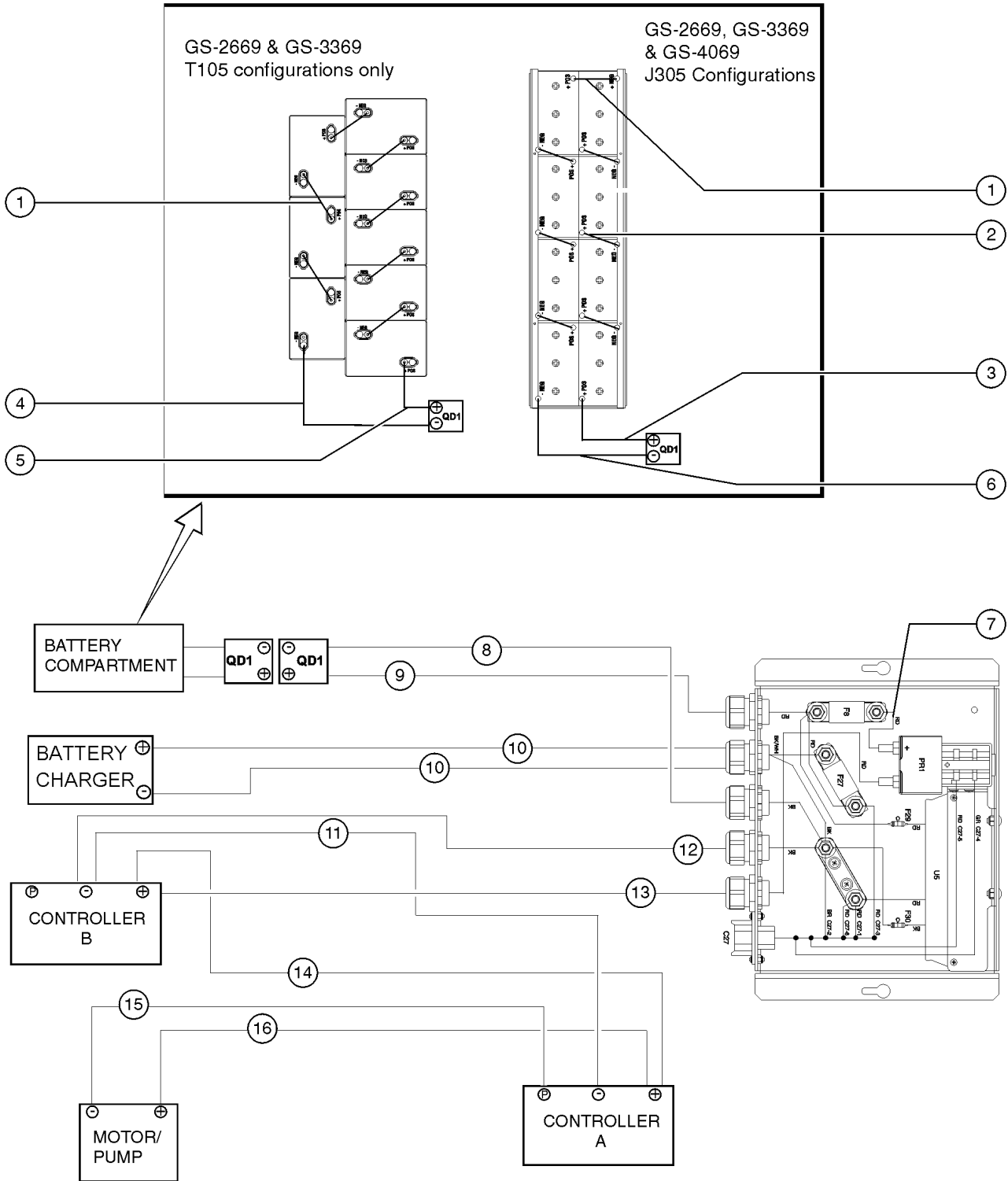
307.2 Chassis Cover Installation (from SN GS6914-3662)



307.2 Chassis Cover Installation (from SN GS6914-3662)

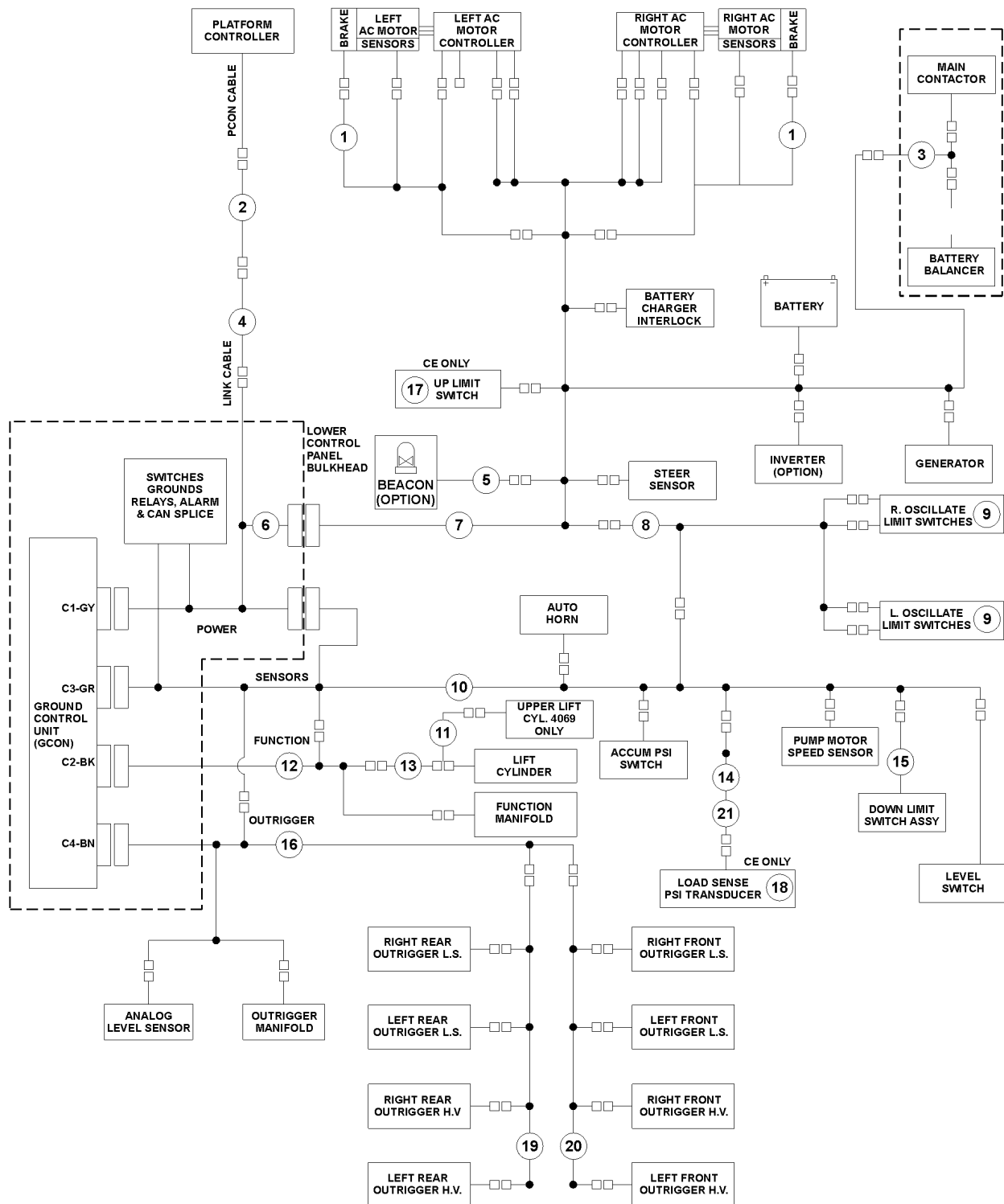
Item	Part No.	Description	Qty.
1	6878	BOLT,CARRIAGE,1/4-20 X .75,G2	
2	6091	NUT,NYLOCK,1/4-20	
3	55675	LATCH, LRG PADDLE HANDLE GS90.....	4
4	43392	BUMPER,BATTERY BOX & RAILS	
5	1253424	WELDMENT,BOX DOOR,LT,WINDOW..... <i>(decals not included, refer to section 100)</i>	1
6	6019	SCREW,HHC,3/8-16 X 1.25 GRD 5	
7	6021	WASHER,LOCK,.,375	
8	29868	SPRING CLIP,3/8-16.....	2
9	131873	PLATE,HYD TANK FILLER COVER.....	1
10	45384	PLUG,NYLON .50 BLACK DOMED	
11	81329	PLUG,ALARM BEACON HOLE	
12	64154	BOLT,CARRIAGE,3/8-16 X1.00,G5	
13	4828	NUT,NYLOCK,3/8-16	
14	1253422	WELDMENT,BOX DOOR,RT..... <i>(decals not included, refer to section 100)</i>	2
15	1253479	SLIDE BLOCK,DOOR WEDGE,HDPE.....	1
16	1253349	FORMING, LATCH CATCH.....	1
17	14392	NUT,LP NYLOCK,10-32	
18	219112	SCREW,SHC,10-32 X .75	
19	1253423	WELDMENT,BOX DOOR,LT..... <i>(decals not included, refer to section 100)</i>	1
20	64154	BOLT,CARRIAGE,3/8-16 X1.00,G5	
21	55517	HINGE, GSRT90 BOX.....	8

308.1 Power Cables



Item	Part No.	Description	Qty.
--	67504	FUSE HOLDER,ATC 3-30 AMPS	
--	67505	FUSE,10 AMP,ATC	
1A	238364	CABLE ASSY, BATTERY JUMPERS.....7 <i>(T105 battery configuration) GS-2669 and GS-3369 only</i>	
1B	238364	CABLE ASSY, BATTERY JUMPERS.....1 <i>(J305 battery configuration) all GS-69</i>	
2	160545	CABLE ASSY, BATTERY JMPR LONG	
3	160903	CABLE ASSY, B+ TO AN. PLG,J305	
4	238366	CABLE ASSY, B- TO ANDERSON PLU.....1	
5	238365	CABLE ASSY, B+ TO ANDERSON PLU.....1	
6	160904	CABLE ASSY, B- TO AN. PLG,J305	
7	238369	CABLE ASSY, CONTA FUSE TO CONT.....1	
8	238368	CABLE ASSY, ANDERSON TO GRND L.....1	
9	238367	CABLE ASSY. ANDERSON TO CONTA.....1	
10	161359	CABLE ASSY, BATTERY CHARGER.....1	
11	238374	CABLE ASSY, CONTR A B- TO CONT.....1	
12	238373	CABLE ASSY, GRND LUG TO CONTR.....1	
13	238370	CABLE ASSY, CONTA TO PUMP MOTO.....1	
14	238372	CABLE ASSY, CONTR A B+ TO CONT.....1	
15	238375	CABLE ASSY, CONTR A P- TO PUMP.....1	
16	238371	CABLE ASSY, PUMP MT+ TO CONTR.....1	

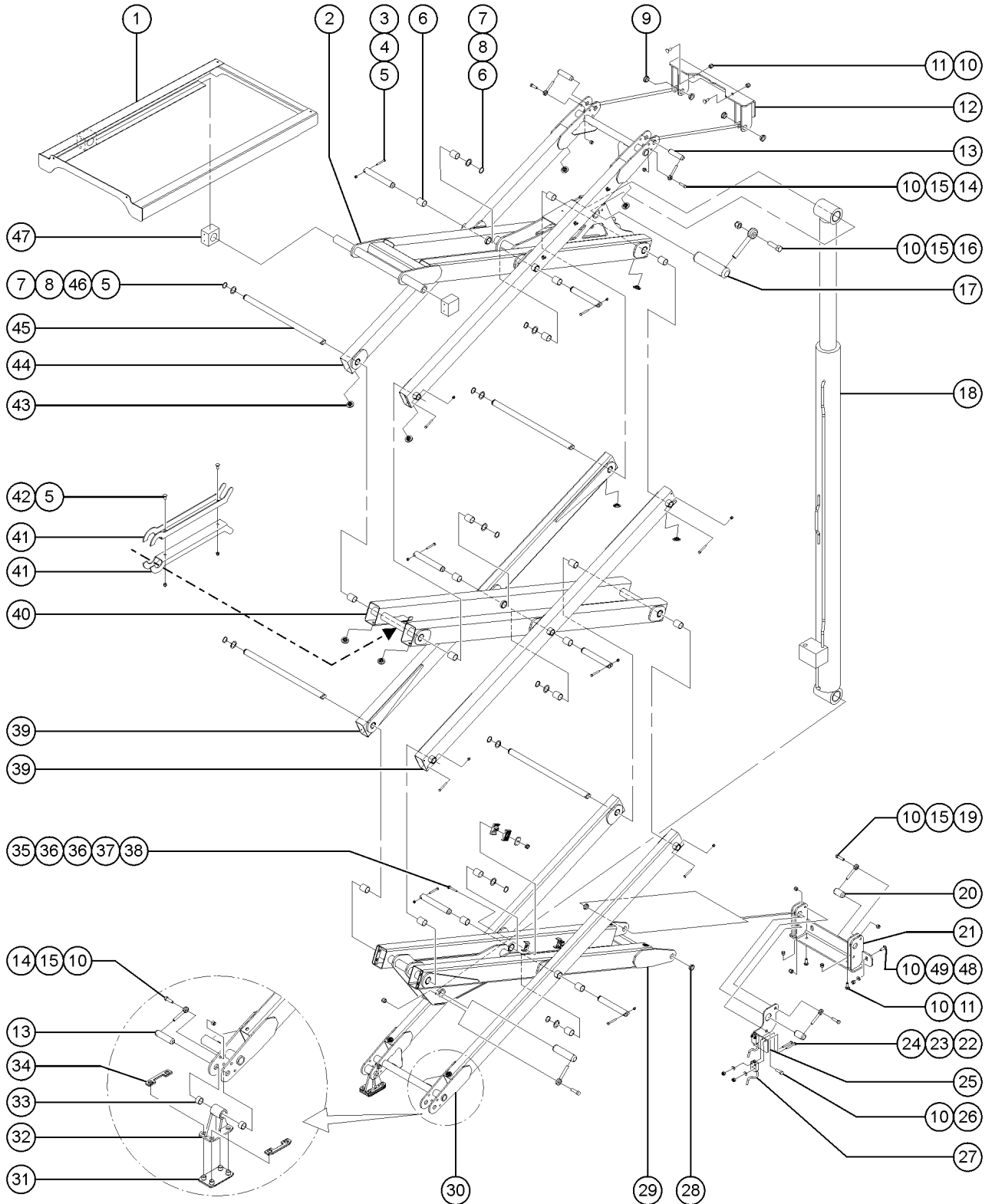
309.1 Electrical Wiring



309.1 Electrical Wiring

Item	Part No.	Description	Qty.	Item	Part No.	Description	Qty.
--	137587	HARNESS, ESTOP, GR/GRC/GS PCON		20B	161213	HARNESS, OR HARNESS, J11.....1 <i>(from SN GS6913-1845) option</i>	
--	137611	ASSY, COIL CORD, GR/GRC/GS		21	218245	JUMPER,SENSOR,TERMINAL.....1	
1	234837	HARNESS, MOTOR/BRAKE,GS69DC.....2					
2A	236066	CABLE,CNTRL,LINKS,GS2669DC..1 <i>GS-2669DC</i>					
2B	236067	CABLE,CNTRL,LINKS,GS3369DC..1 <i>GS-3369DC</i>					
2C	236068	CABLE,CNTRL,LINKS,GS4069DC..1 <i>GS-4069DC</i>					
3	235398	HARNESS, CONTROL POWER,GS69DC.....1					
4	237476	CABLE,CONTROL,EXTEND,GS69DC.1					
5	148076	HARNESS,BEACON,GS69.....1 <i>(option)</i>					
6	234830	HARNESS,LCP,GS69DC.....1					
7	234832	HARNESS,MOTOR CONTROL,GS69DC.....1					
8	235399	HARNESS,EXTEND,OSC LS,GS69DC.....1					
9	148414	HARNESS,OSC SWITCH REAR.....2					
10	234831	HARNESS,SENSORS,GS69DC.....1					
11	148087	CABLE,DOWN COILS,GS4069.....1 <i>GS-4069DC</i>					
12	234833	HARNESS,FUNCTION,HYD,GS69DC.1					
13	148086	CABLE,DOWN COILS,GS3369.....1 <i>GS-2669DC & GS-3369DC</i>					
14	219973	CABLE,PRESSURE SWITCH, 6S...1 <i>CE only</i>					
15	148092	HARNESS,DOWN LIMIT SENSOR,GS69.....1					
16	234834	HARNESS, OUTRIGGER,MAIN,GS69DC.....1 <i>(option)</i>					
17	T114634	HARNESS,UP LIMIT SWITCH.....1 <i>CE only</i>					
18	104571	HARNESS,PRESS.SWITCH.....1 <i>CE only</i>					
19A	148091	HARNESS,OUTRIGGERS,REAR,GS69.1 <i>(to SN GS6913-1844) option</i>					
19B	161213	HARNESS, OR HARNESS, J11.....1 <i>(from SN GS6913-1845) option</i>					
20A	148090	HARNESS,PRESS.SWITCH.....1 <i>(to SN GS6913-1844) option</i>					

401.1 Scissor Components, GS-2669DC

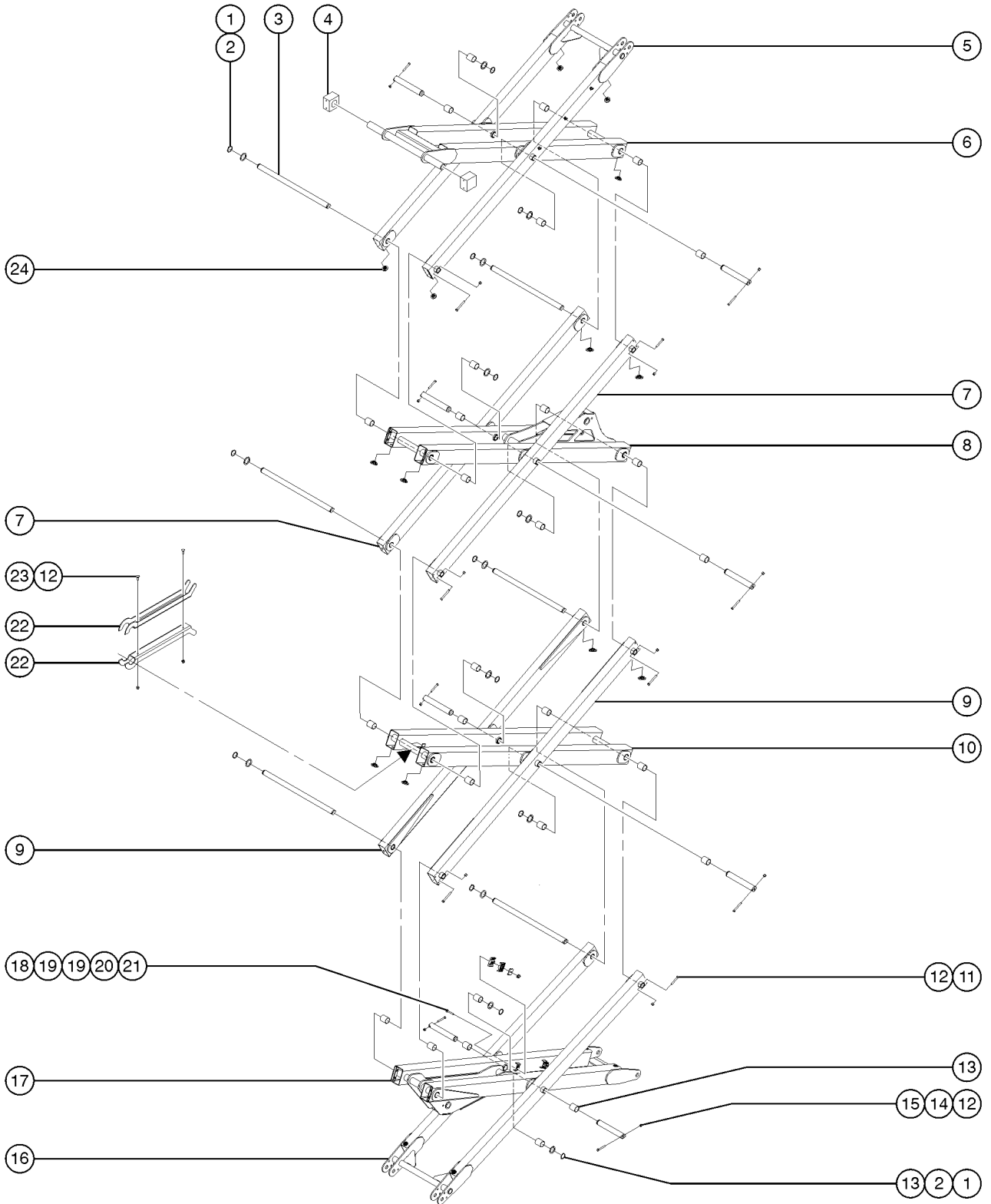


401.1 Scissor Components, GS-2669DC

Item	Part No.	Description	Qty.	Item	Part No.	Description	Qty.
1	131874	WLDMNT,PLATFORM SPACER, 2669.....	1	31	112099	WEAR PAD,SLIDER FOOT,LOWER.....	2
2	112127	ASSY,LINK,INNER #3, 2669..... <i>(includes item #6)</i>	1	32	131903	WELDMENT,SLIDER FOOT, GS2669.....	2
--	105214	CABLE TIE MOUNT, WINGED		33	30434	BEARING,1.25IDX1.50ODX0.88L....	4
--	28443	CABLE TIE,11.5" BLACK.....	8	34	112100	WEAR PAD,SLIDER FOOT,UPPER.....	4
3	14033	SCREW,HHC,3/8-16 X 2.75.....	6	35	96905	BOLT,CARRIAGE,1/4-20 X 2.5,G2	
4	148433	PIN,CENTER LINK,GS69.....	9	36	78736	CLAMP,2 HOSE,PLASTIC,5/8.....	8
5	4828	NUT,NYLOCK,3/8-16.....	12	37	112589	PLATE,HOSE ROUTING,BULKHEAD.....	4
6	T108138	BEARING,1.50IDX1.75ODX2.00L..	20	38	6091	NUT,NYLOCK,1/4-20	
7	18383	SNAP RING,EXTERNAL,1.5 DIA***	10	39	T108137	WLDMT,LINK,OUTER,#2..... <i>(decals not included, refer to section 100)</i>	1
8	T108139	WASHER,FLAT,1.510X2.125.....	10	40	112124	ASSY,LINK,INNER #2..... <i>(includes item #6) (decals not included, refer to section 100)</i>	1
9	112375	BEARING,FL,1.25IDX1.50ODX.44LG.4		41	112195	FORMING, SAFETY ARM.....	2
10	6198	NUT,NYLOCK,1/2-13.....	14	42	64154	BOLT,CARRIAGE,3/8-16 X1.00,G5.....	2
11	96977	BOLT,CARRIAGE,1/2-13X1.50,GR5.6		43	T109734	BUMPER,LINKS,GS69.....	16
12	112229	WELDMENT,PLATFORM PIVOT,2669.....	1	44	112076	WELDMENT,LINK,TOP OUTER,GS69.....	1
13	112115	PIN,1.25 DIA X 5.00 LG,1 HOLE....	4	--	28443	CABLE TIE,11.5" BLACK.....	8
14	22788	SCREW,HHC,1/2-13 X 1.75.....	4	45	148434	PIN,END LINK,GS69.....	4
15	30418	ROD END,.50 X 4.....	8	46	6326	SCREW,HHC,3/8-16 X 3.....	4
16	6096	SCREW,HHC,1/2-13 X 2 GR5.....	4	47	112708	SLIDER BLOCK, GS69.....	2
17	112121	PIN, CYLINDER, LONG.....	2	48	96203	BOLT,CARRIAGE,1/2-13X1.75, G5	
18		Ref. Lift Cylinders <i>(refer to 603.1)</i>		49	6095	WASHER,FLAT,USS,1/2",Y	
19	10598	SCREW,HHC,1/2-13 X 3.....	2				
20	112116	PIN,1.50 DIA X 2.75 LG,1 HOLE....	2				
21	131899	WELDMENT,CHASSIS LINK PVT,2669.....	1				
22	49821	SCREW,PHILLIPS,PHM,8-32 X 1.25.....	4				
23	35461	WASHER,FLAT,MS,#8,Y.....	4				
24	18605	NUT,NYLOCK,8-32.....	4				
25	148317	FORMING,DOWN LIMIT SWITCH MNT.....	1				
26	8177	SCREW,HHC,1/2-13 X 1.5.....	1				
27	148236	SWITCH,LIMIT,PLUNGER,SMALL..	2				
28	112350	BRG,FL,1.5ID X 1.75OD X .5 LG....	2				
29	112123	ASSY,LINK,INNER #1..... <i>(includes item #6 and item #28)</i>	1				
30	112070	WELDMENT,LINK,OUTER #1.....	1				



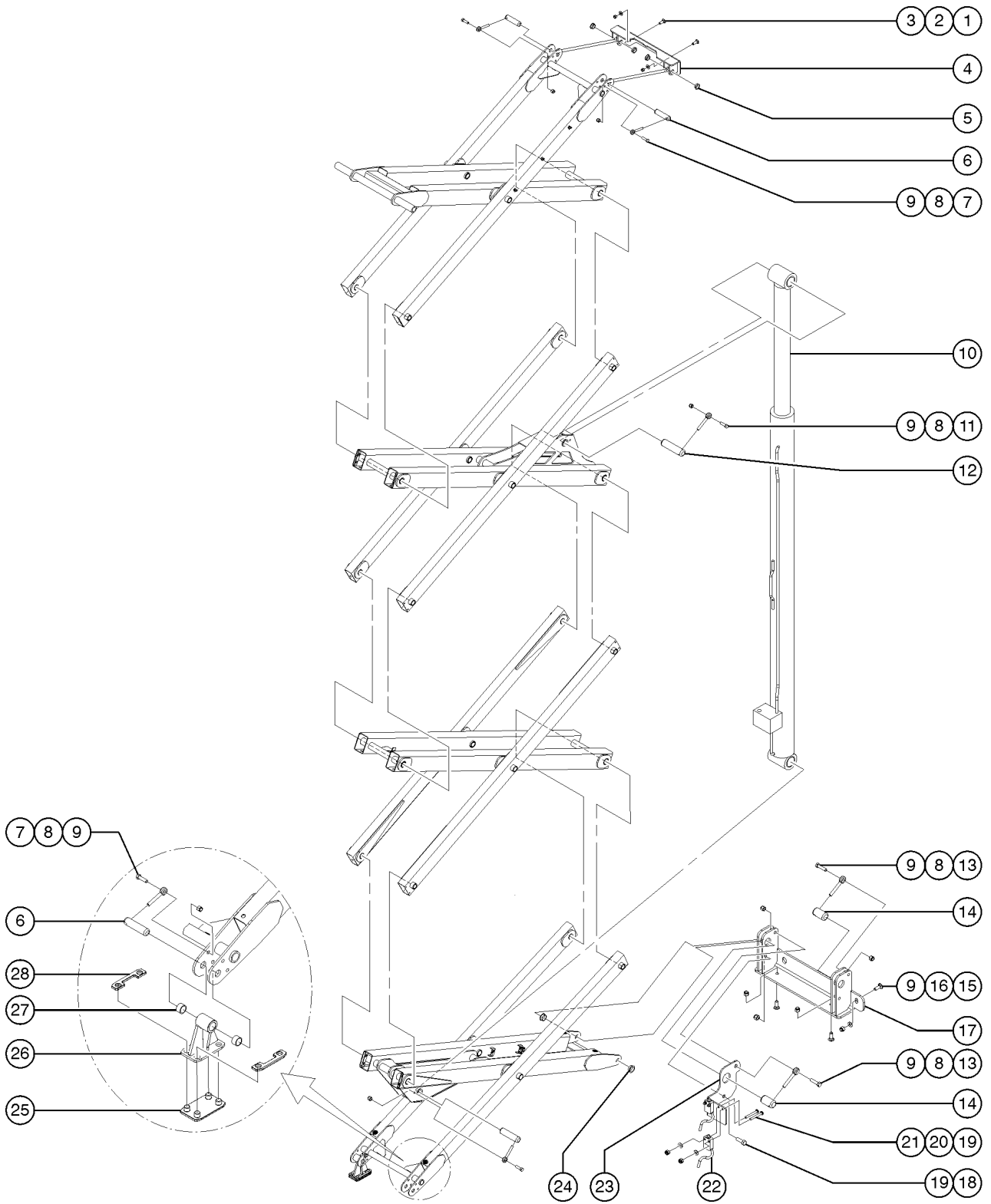
402.1 Scissor Components, GS-3369DC, View 1



402.1 Scissor Components, GS-3369DC, View 1

Item	Part No.	Description	Qty.
1	18383	SNAP RING,EXTERNAL,1.5 DIA***.....	14
2	T108139	WASHER,FLAT,1.510X2.125.....	14
3	148434	PIN,END LINK,GS69.....	6
4	112708	SLIDER BLOCK, GS69.....	2
5	112076	WELDMENT,LINK,TOP OUTER,GS69.....	1
--	40928	CABLE TIE,BUTTON,BLACK,10.00LG	
6	112134	ASSY,LINK,INR #4-3369,#5-4069.... (includes item #13)	1
7	112072	WELDMENT,LINK,OUTER #2,3,4....	2
8	131687	ASSY,LINK,INNER #3, 3369..... (includes item #13)	1
9	T108137	WLDMT,LINK,OUTER,#2..... (decals not included, refer to section 100)	1
10	112124	ASSY,LINK,INNER #2..... (includes item #13)	1
11	6326	SCREW,HHC,3/8-16 X 3	
12	4828	NUT,NYLOCK,3/8-16	
13	T108138	BEARING,1.50IDX1.75ODX2.00L..	28
14	148433	PIN,CENTER LINK,GS69.....	8
15	14033	SCREW,HHC,3/8-16 X 2.75	
16	112070	WELDMENT,LINK,OUTER #1.....	1
17	112123	ASSY,LINK,INNER #1..... (includes item #13)	1
18	96905	BOLT,CARRIAGE,1/4-20 X 2.5,G2.....	4
19	78736	CLAMP,2 HOSE,PLASTIC,5/8.....	8
20	112589	PLATE,HOSE ROUTING,BULKHEAD.....	4
21	6091	NUT,NYLOCK,1/4-20.....	4
22	112195	FORMING, SAFETY ARM.....	2
23	64154	BOLT,CARRIAGE,3/8-16 X1.00,G5.....	2
24	T109734	BUMPER,LINKS,GS69.....	24

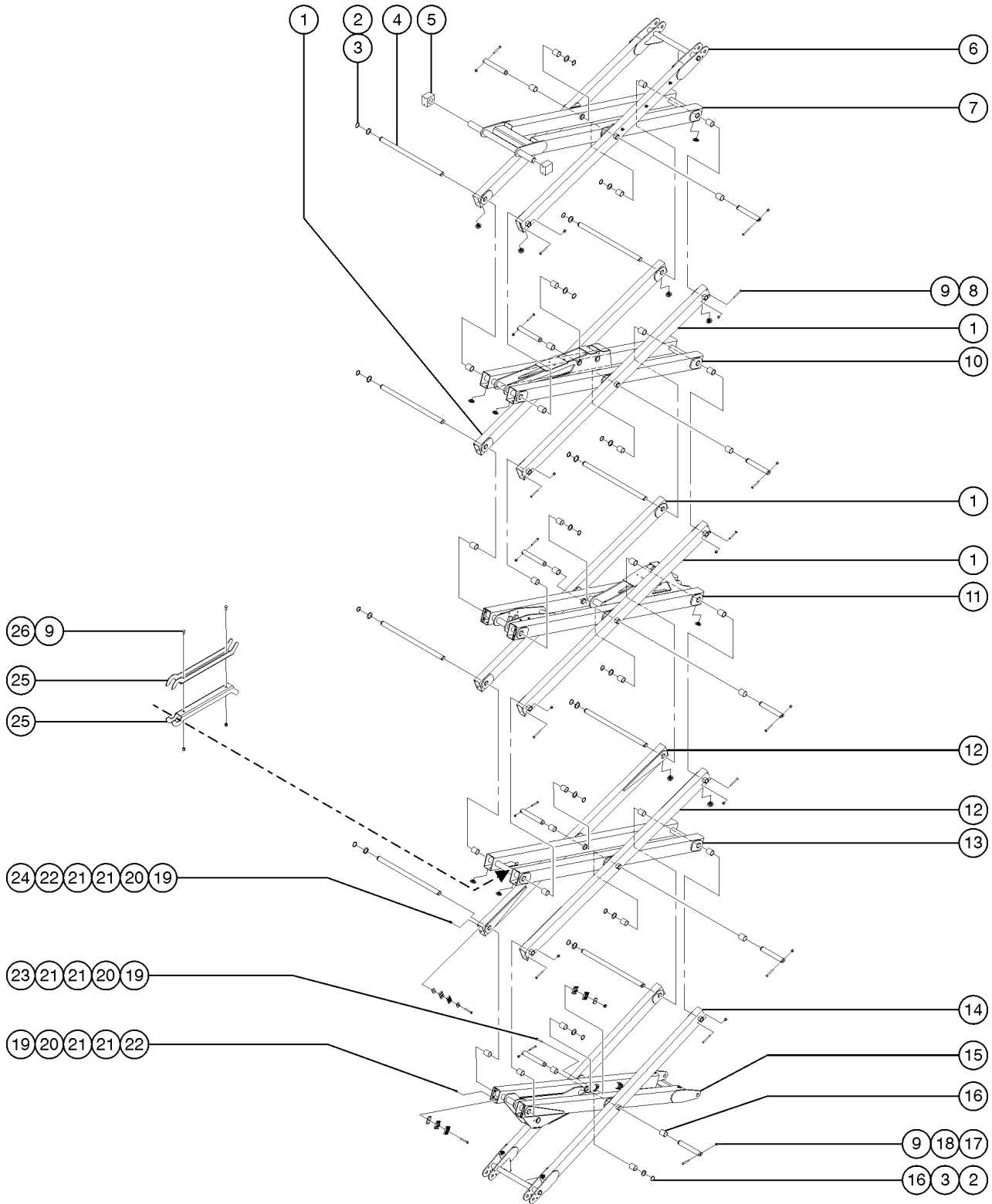
403.1 Scissor Components, GS-3369DC, View 2



403.1 Scissor Components, GS-3369DC, View 2

Item	Part No.	Description	Qty.
1	96977	BOLT,CARRIAGE,1/2-13X1.50,GR5	
2	6097	WASHER,FLAT,USS,3/8",Y	
3	4828	NUT,NYLOCK,3/8-16	
4	112136	WELDMENT,PLAT PIVOT,33/4069.....1	
5	112375	BEARING,FL,1.25IDX1.50ODX.44LG.4	
6	112115	PIN,1.25 DIA X 5.00 LG,1 HOLE.....4	
7	22788	SCREW,HHC,1/2-13 X 1.75	
8	30418	ROD END,.50 X 4.....8	
9	6198	NUT,NYLOCK,1/2-13	
10		Ref. Lift Cylinders (refer to 603.1)	
11	6096	SCREW,HHC,1/2-13 X 2 GR5	
12	112121	PIN, CYLINDER, LONG.....2	
13	10598	SCREW,HHC,1/2-13 X 3.....2	
14	112116	PIN,1.50 DIA X 2.75 LG,1 HOLE.....2	
15	96203	BOLT,CARRIAGE,1/2-13X1.75, G5.....2	
16	6095	WASHER,FLAT,USS,1/2",Y	
17	112210	WLDMT,CHASSIS LINK PVT,33/4069.....1	
18	8177	SCREW,HHC,1/2-13 X 1.5	
19	49821	SCREW,PHILLIPS,PHM,8-32 X 1.25	
20	35461	WASHER,FLAT,MS,#8,Y	
21	18605	NUT,NYLOCK,8-32	
22	148236	SWITCH,LIMIT,PLUNGER,SMALL..2	
23	148317	FORMING,DOWN LIMIT SWITCH MNT.....1	
24	112350	BRG,FL,1.5ID X 1.75OD X .5 LG.....2	
25	112099	WEAR PAD,SLIDER FOOT,LOWER.....2	
26	112177	WELDMENT,SLIDER FOOT, 32/4069.....2	
27	30434	BEARING,1.25IDX1.50ODX0.88L....4	
28	112100	WEAR PAD,SLIDER FOOT,UPPER.....4	

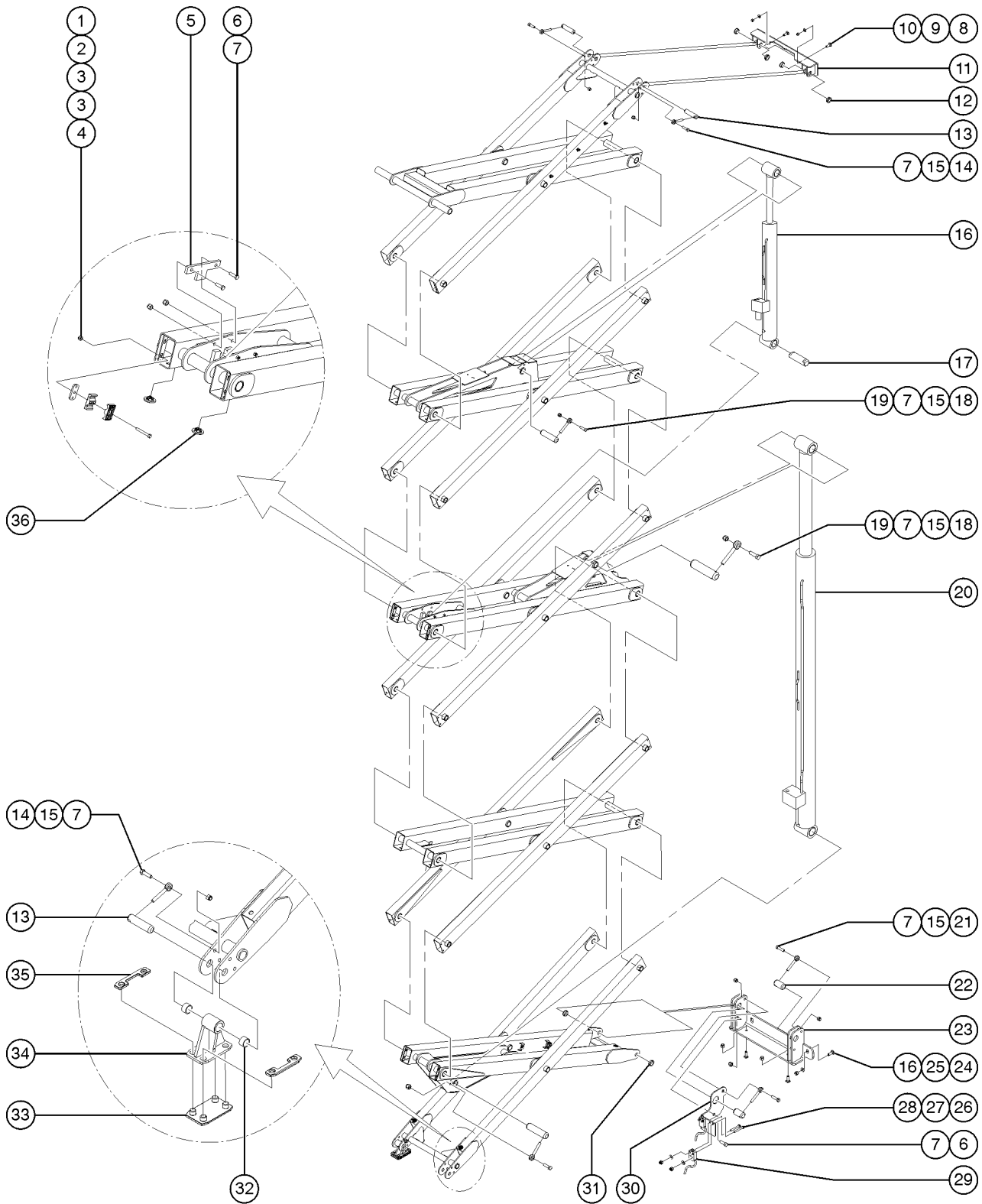
404.1 Scissor Components, GS-4069DC, View 1



404.1 Scissor Components, GS-4069DC, View 1

Item	Part No.	Description	Qty.
1	112072	WELDMENT, LINK, OUTER #2,3,4....4	
2	18383	SNAP RING, EXTERNAL, 1.5 DIA***	18
3	T108139	WASHER, FLAT, 1.510X2.125	
4	148434	PIN, END LINK, GS69.....	8
5	112708	SLIDER BLOCK, GS69.....	2
6	112076	WELDMENT, LINK, TOP OUTER, GS69.....	1
7	112134	ASSY, LINK, INR #4-3369, #5-4069....1 (includes item #16)	
8	6326	SCREW, HHC, 3/8-16 X 3	
9	4828	NUT, NYLOCK, 3/8-16	
10	112126	ASSY, LINK, INNER #4, 4069.....1 (includes item #16)	
11	112125	ASSY, LINK, INNER #3, 4069.....1 (includes item #16)	
12	T108137	WLDMT, LINK, OUTER, #2.....1 (decals not included, refer to section 100)	
13	112124	ASSY, LINK, INNER #2.....1 (includes item #16)	
14	112070	WELDMENT, LINK, OUTER #1.....	1
15	112123	ASSY, LINK, INNER #1.....	1
--	40928	CABLE TIE, BUTTON, BLACK, 10.00LG	
16	T108138	BEARING, 1.50IDX1.75ODX2.00L	
17	14033	SCREW, HHC, 3/8-16 X 2.75	
18	148433	PIN, CENTER LINK, GS69.....	10
19	6091	NUT, NYLOCK, 1/4-20	
20	112589	PLATE, HOSE ROUTING, BULKHEAD.....	7
21	78736	CLAMP, 2 HOSE, PLASTIC, 5/8.....	14
22	4266	SCREW, HHC, 1/4-20 X 2	
23	96905	BOLT, CARRIAGE, 1/4-20 X 2.5, G2	
24	228103	PLATE, BACKING, LINKS	
25	112195	FORMING, SAFETY ARM.....	2
26	64154	BOLT, CARRIAGE, 3/8-16 X1.00, G5.....	2

405.1 Scissor Components, GS-4069DC, View 2

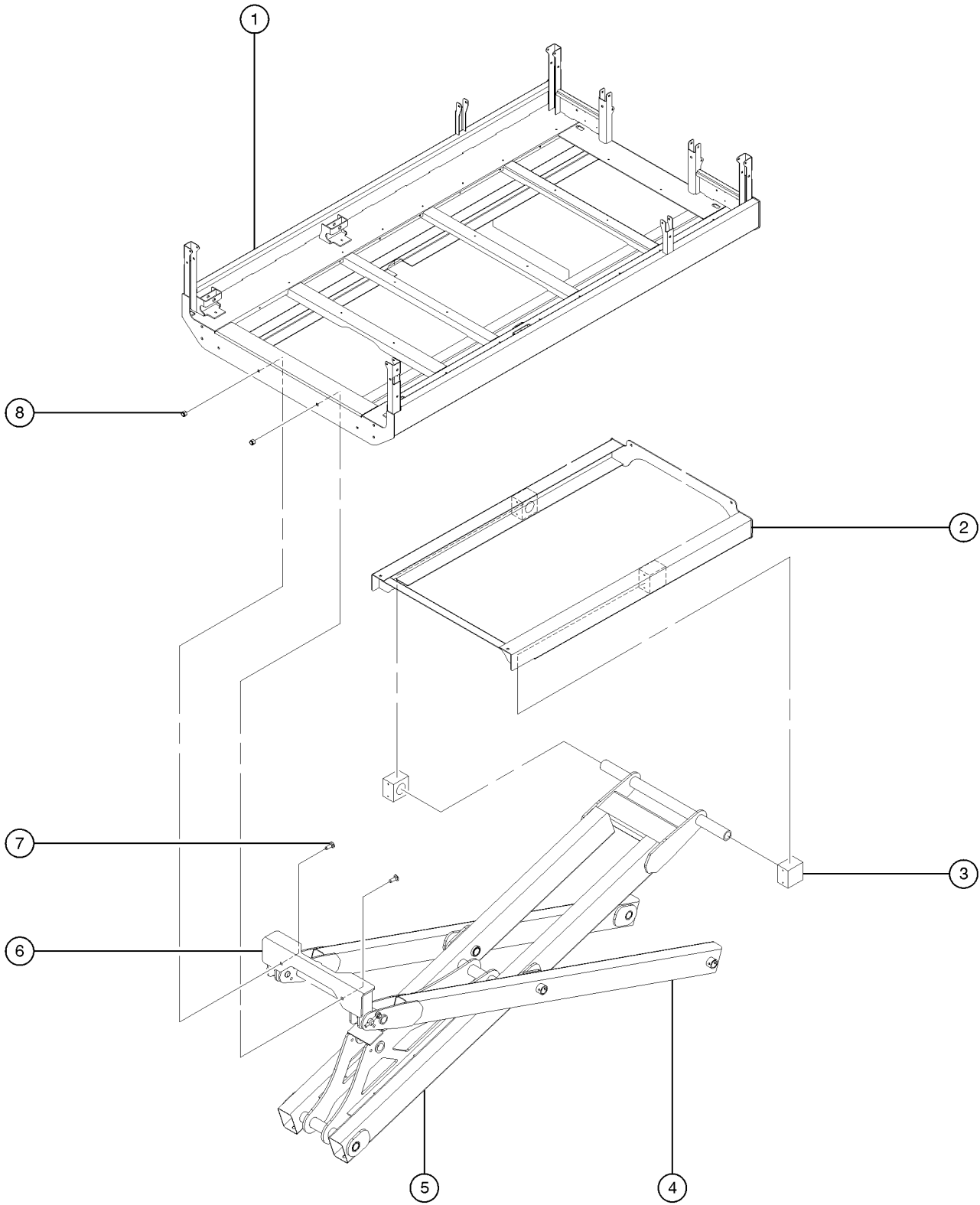


405.1 Scissor Components, GS-4069DC, View 2

Item	Part No.	Description	Qty.	Item	Part No.	Description	Qty.
1	6091	NUT,NYLOCK,1/4-20		34	112177	WELDMNT,SLIDER FOOT, 32/4069.....	2
2	112589	PLATE,HOSE ROUTING,BULKHEAD.....	1	35	112100	WEAR PAD,SLIDER FOOT,UPPER.....	4
3	78736	CLAMP,2 HOSE,PLASTIC,5/8.....	2	36	T109734	BUMPER,LINKS,GS69.....	32
4	4266	SCREW,HHC,1/4-20 X 2					
5	112106	PLATE,UPR CYL,PIN RETAINR 4069.....	2				
6	8177	SCREW,HHC,1/2-13 X 1.5					
7	6198	NUT,NYLOCK,1/2-13					
8	96977	BOLT,CARRIAGE,1/2-13X1.50,GR5					
9	6097	WASHER,FLAT,USS,3/8",Y					
10	4828	NUT,NYLOCK,3/8-16					
11	112136	WELDMNT,PLAT PIVOT,33/4069.....	1				
12	112375	BEARING,FL,1.25IDX1.50ODX.44LG					
13	112115	PIN,1.25 DIA X 5.00 LG,1 HOLE....	4				
14	22788	SCREW,HHC,1/2-13 X 1.75					
15	30418	ROD END,.50 X 4.....	9				
16		Ref. Lift Cylinders, Upper (refer to 603.1)					
17	235122	PIN,UPPER CYLINDER.....	1				
18	6096	SCREW,HHC,1/2-13 X 2 GR5					
19	112121	PIN, CYLINDER, LONG.....	3				
20		Ref. Lift Cylinders (refer to 603.1)					
21	10598	SCREW,HHC,1/2-13 X 3					
22	112116	PIN,1.50 DIA X 2.75 LG,1 HOLE....	2				
23	112210	WLDMT,CHASSIS LINK PVT,33/4069.....	1				
24	96203	BOLT,CARRIAGE,1/2-13X1.75, G5					
25	6095	WASHER,FLAT,USS,1/2",Y					
26	49821	SCREW,PHILLIPS,PHM,8-32 X 1.25					
27	35461	WASHER,FLAT,MS,#8,Y					
28	18605	NUT,NYLOCK,8-32					
29	148236	SWITCH,LIMIT,PLUNGER,SMALL..	2				
30	148317	FORMING,DOWN LIMIT SWITCH MNT.....	1				
31	112350	BRG,FL,1.5ID X 1.75OD X .5 LG....	2				
32	30434	BEARING,1.25IDX1.50ODX0.88L....	4				
33	112099	WEAR PAD,SLIDER FOOT,LOWER.....	2				



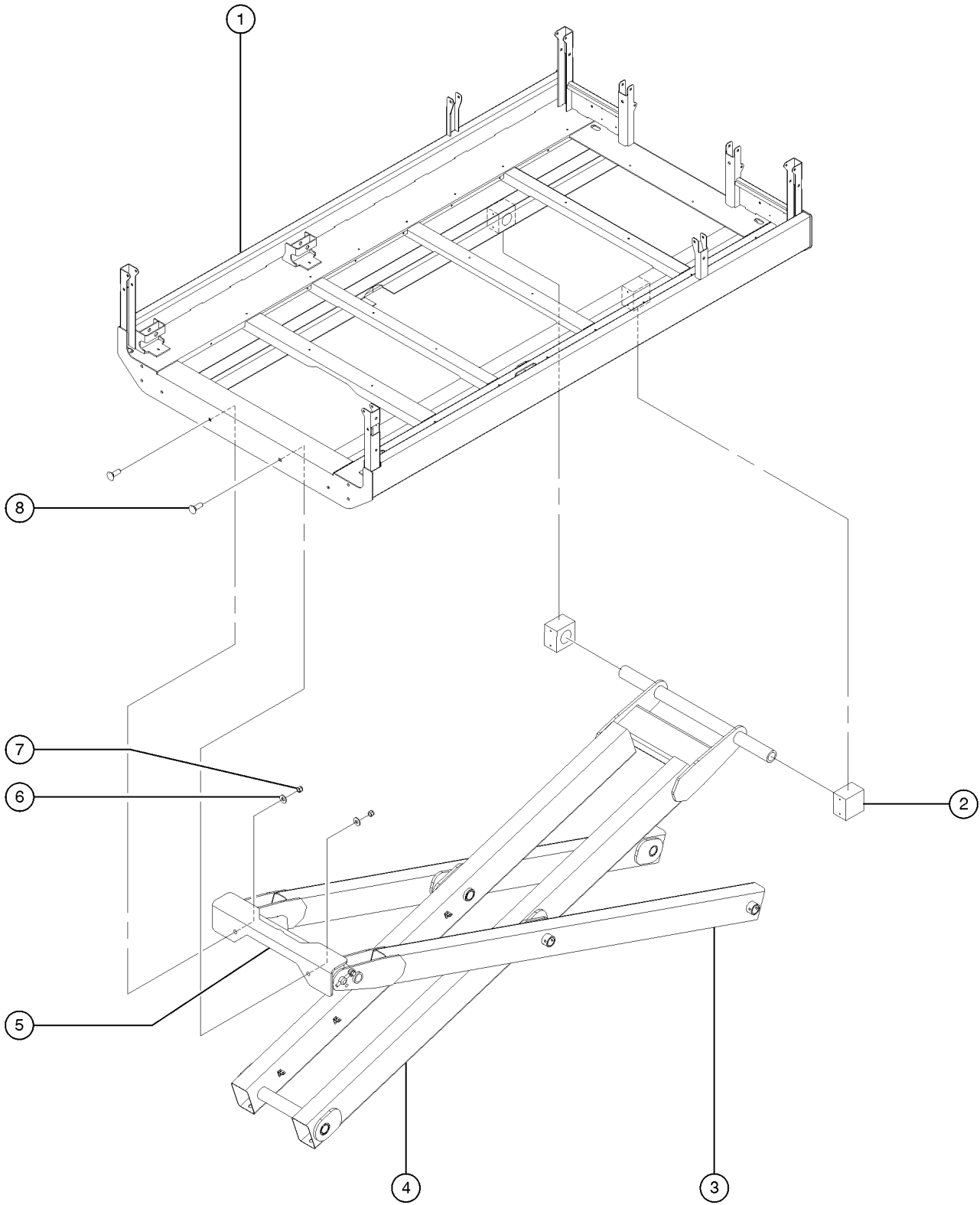
501.1 Platform Installation, GS-2669



501.1 Platform Installation, GS-2669

Item	Part No.	Description	Qty.
1	112703	WELDMENT,MAIN PLATFORM,GS69.....1 <i>(decals not included, refer to section 100)</i>	1
2		Ref. WLDMNT,PLATFORM SPACER, 2669.....1 <i>(refer to 401.1)</i>	1
3	112708	SLIDER BLOCK, GS69.....2	2
4	112076	WELDMENT,LINK,TOP OUTER,GS69.....1	1
5	112083	WELDMNT,LINK,TOP INNER,32/4069.....1	1
6	112136	WELDMENT,PLAT PIVOT,33/4069.....1	1
7	96977	BOLT,CARRIAGE,1/2-13X1.50,GR5.2	
8	6198	NUT,NYLOCK,1/2-13.....2	2

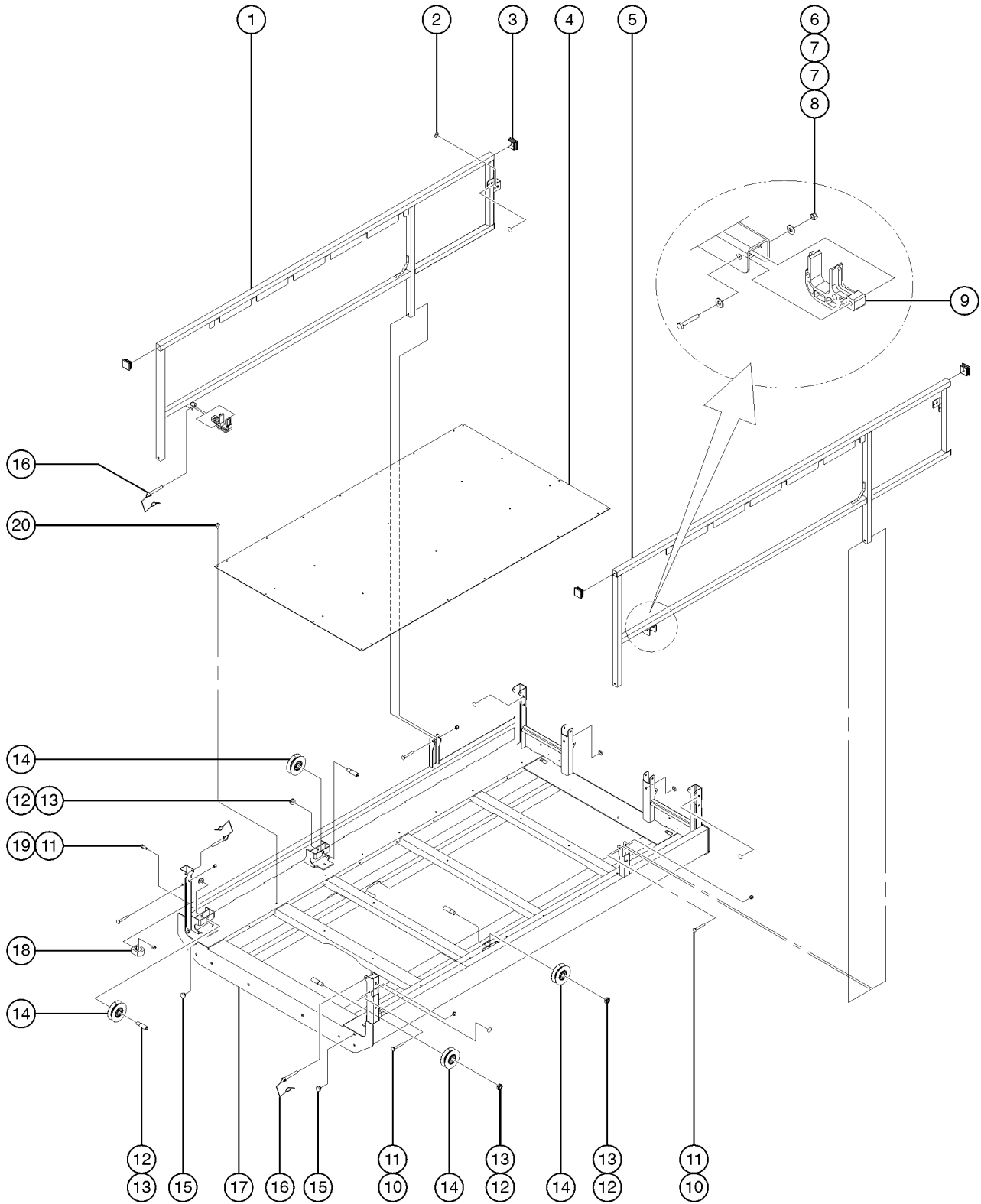
502.1 Platform Installation, GS-3369 & GS-4069



502.1 Platform Installation, GS-3369 & GS-4069

Item	Part No.	Description	Qty.
1	112703	WELDMENT,MAIN PLATFORM,GS69.....1 <i>(decals not included, refer to section 100)</i>	1
2	112708	SLIDER BLOCK, GS69.....2	2
3	112076	WELDMENT,LINK,TOP OUTER,GS69.....1	1
4	112134	ASSY,LINK,INR #4-3369,#5-4069....1 <i>(bearings included)</i>	1
5	148450	ASSY,LINK MOUNT,TOP,GS69.....1	1
6	6097	WASHER,FLAT,USS,3/8",Y	
7	4828	NUT,NYLOCK,3/8-16	
8	96977	BOLT,CARRIAGE,1/2-13X1.50,GR5	

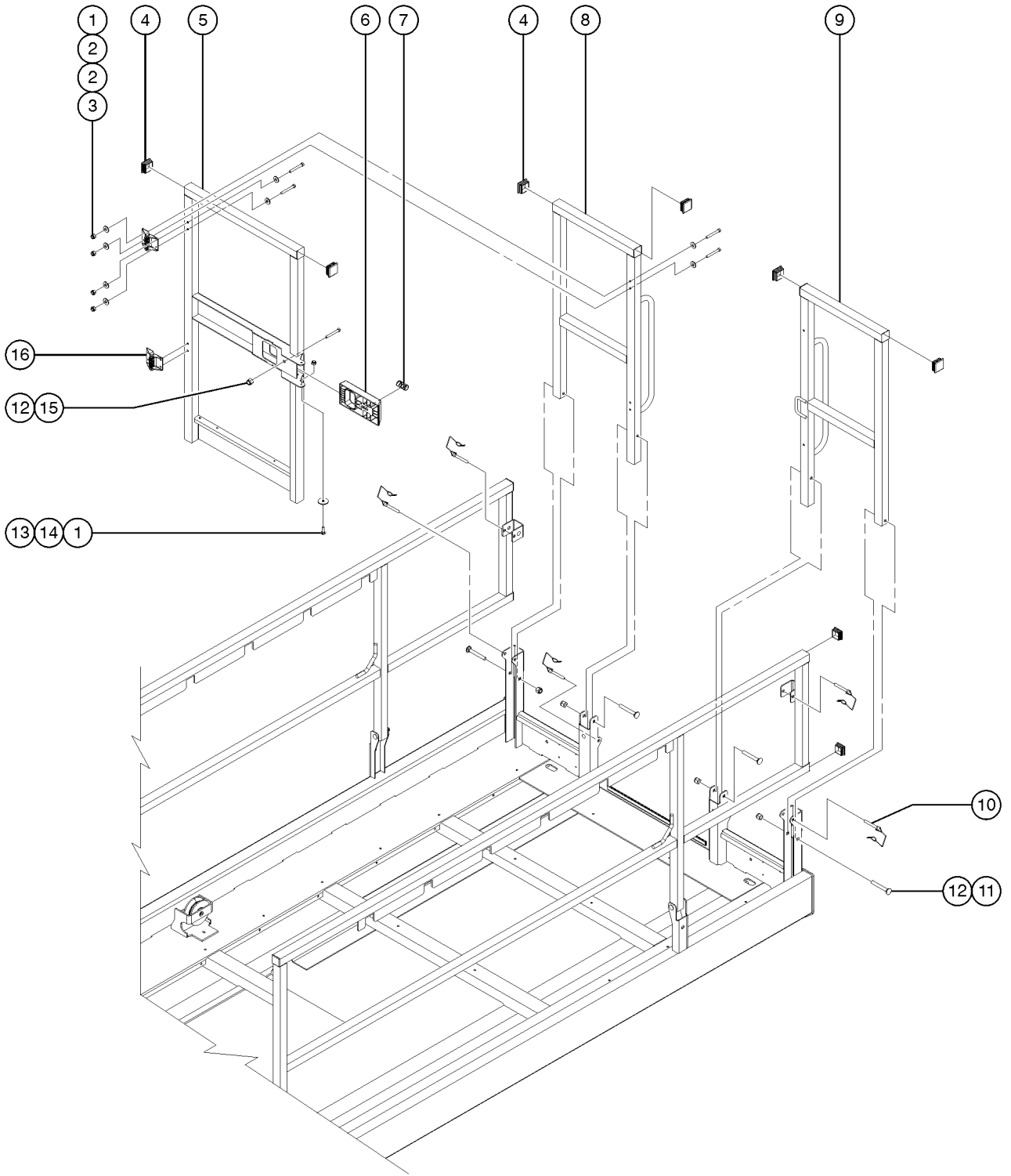
503.1 Platform Railing Installation



503.1 Platform Railing Installation

Item	Part No.	Description	Qty.
1	131744	WELDMENT,MAIN RAIL,RIGHT.....1 <i>(decals not included, refer to section 100)</i>	
2	47478	BUMPER,RUBBER,1"OD X .461 H.....10	
3	79355	PLUG,TUBE,SQ 1.50X.065.....6	
4	131749	PLATE,GS69 DECK.....1	
5	131745	WELDMENT, MAIN RAIL, LEFT.....1 <i>(decals not included, refer to section 100)</i>	
6	6091	NUT,NYLOCK,1/4-20	
7	6638	WASHER,FLAT,USS,1/4"Y	
8	6637	SCREW,HHC,1/4-20 X 1.75	
9	71376	RAIL SPACER, GS90.....2	
10	112476	BOLT,CARRIAGE,3/8-16X2.75,G5	
11	4828	NUT,NYLOCK,3/8-16	
12	38028	NUT,LP NYLOCK,5/8-11	
13	87568	PIN, SHOULDER, 5/8-11 X 1.77.....4	
14	131416	V-ROLLER,NARROW,EXT DECK...4	
15	47230	BUMPER,RUBBER.....2	
16	66030	PIN, WIRE LOCK 3/8 X 2 -1/2.....4	
17		Ref., WELDMENT, MAIN PLATFORM <i>(refer to 501.1 & 502.1)</i>	
18	87523	COIL CORD CLIP.....1	
19	6175	SCREW,HHC,3/8-16 X 1	
20	71315	RIVET,DRIVE, .25 X .25.....24	

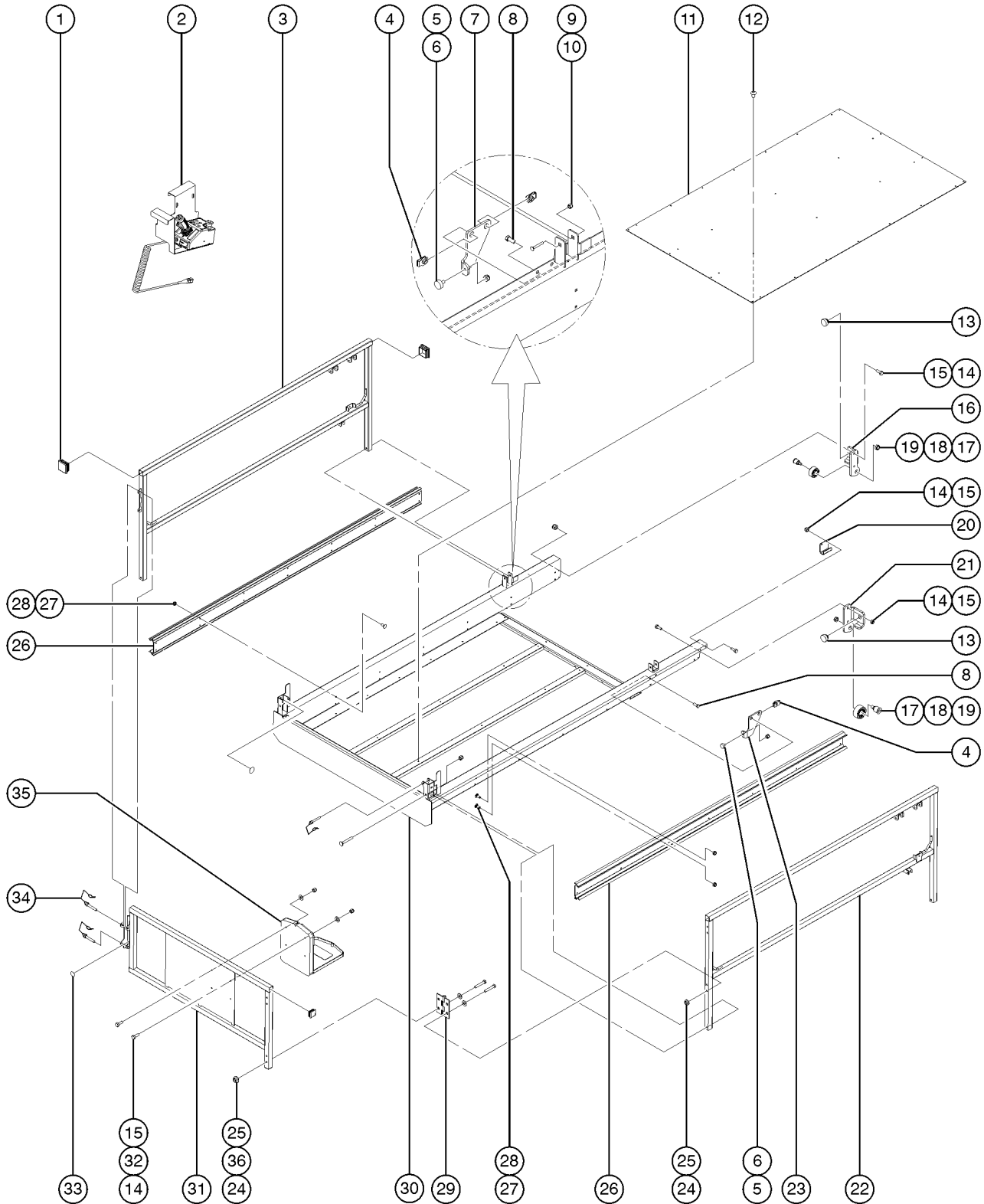
504.1 Platform Entry Gate



504.1 Platform Entry Gate

Item	Part No.	Description	Qty.
1	6889	NUT,LP NYLOCK,1/4-20	
2	6638	WASHER,FLAT,USS,1/4"Y	
3	4266	SCREW,HHC,1/4-20 X 2.....	8
4	79355	PLUG,TUBE,SQ 1.50X.065.....	10
5	87320	WELDMENT,ENTRY GATE**.....	1
6	112543	SLIDER, GATE CATCH.....	1
7	22446	SPRING,COMPRESSION .835 X 2.....	1
8	131747	WELDMENT, MAIN, A-RAIL, RIGHT.....	1
9	131746	WELDMENT, MAIN, A-RAIL, LEFT.....	1
10	66030	PIN, WIRE LOCK 3/8 X 2 -1/2.....	4
11	112476	BOLT,CARRIAGE,3/8-16X2.75,G5	
12	4828	NUT,NYLOCK,3/8-16	
13	6878	BOLT,CARRIAGE,1/4-20 X .75,G2	
14	47793	BUMPER, MODULE TRAY.....	1
15	6708	SCREW,HHC,3/8-16 X 2.25	
16	104804	HINGE, SPRING, LONG LEG.....	2

505.1 Platform Extension

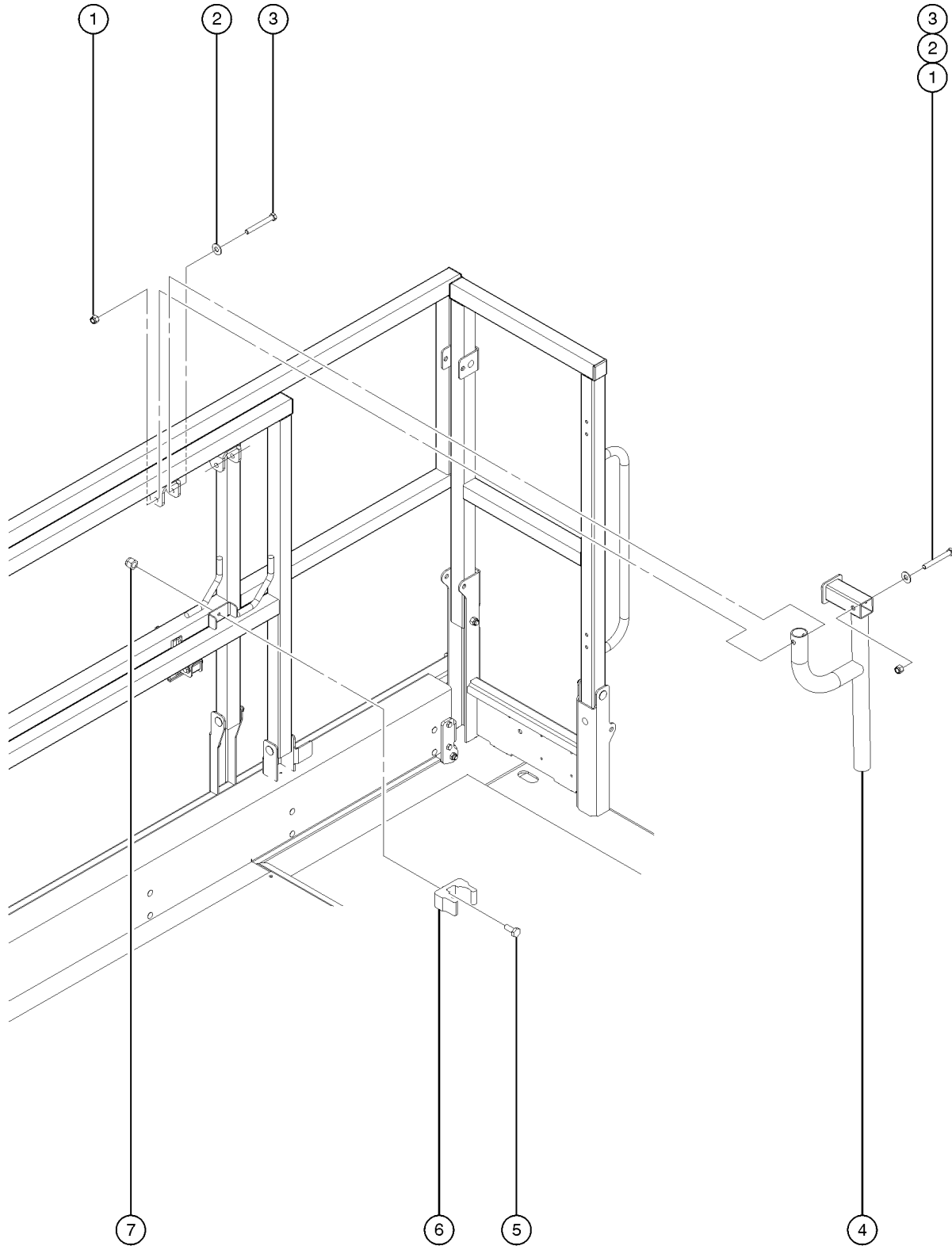


505.1 Platform Extension

Item	Part No.	Description	Qty.	Item	Part No.	Description	Qty.
--	33550	TAPE,WARNING,BLK/YEL, 50'***.....66 inches (CE and Australia models only)		29	55517	HINGE, GSRT90 BOX.....	2
1	79355	PLUG,TUBE,SQ 1.50X.065.....	8	30	131735	WELDMENT,EXT.DECK,GS69.....	1
2		Ref. Platform Controller (refer to 508.1)		31	131742	WELDMENT,EXT DECK RAIL,END.....	1 (decals not included, refer to section 100)
3	131743	WELDMENT,SIDE EXT RAIL,RIGHT.....	1 (decals not included, refer to section 100)	32	6638	WASHER,FLAT,USS,1/4"Y	
4	29868	SPRING CLIP,3/8-16.....	4	33	47478	BUMPER,RUBBER,1"OD X .461 H.....	4
5	79090	BUMPER, 1.00 X .375 X 5/16.....	2	34	66030	PIN, WIRE LOCK 3/8 X 2 -1/2.....	4
6	6782	NUT,NYLOCK,5/16-18		35	24514	BOX,INSTRUCTION STORAGE.....	1
7	99268	FORMING,PLATFORM STOP,LEFT.....	1	36	219210	WASHER,FLAT,SAE,3/8",Y	
8	6175	SCREW,HHC,3/8-16 X 1					
9	112476	BOLT,CARRIAGE,3/8-16X2.75,G5					
10	4828	NUT,NYLOCK,3/8-16					
11	131749	PLATE,GS69 DECK.....	1				
12	71315	RIVET,DRIVE, .25 X .25.....	24				
13	47230	BUMPER,RUBBER.....	2				
14	6090	SCREW,HHC,1/4-20 X .75					
15	6091	NUT,NYLOCK,1/4-20					
16	87570	FORMING,EXT DECK STOP,RIGHT.....	1				
17	7713	NUT,LP NYLOCK,3/8-16					
18	38016	ROLLER,PLASTIC,AWP96**.....	2				
19	35706	BOLT,ROLLER,.470"(SHORT).....	2				
20	87675	FORMING,EXT DECK CATCH.....	2				
21	87571	FORMING,EXT DECK STOP,LEFT.....	2				
22	131741	WELDMENT,SIDE EXT RAIL,LEFT.....	1 (decals not included, refer to section 100)				
23	99267	FORMING,PLATFORM STOP,RIGHT.....	1				
24	48425	NUT,LOCKING-LRG.FLANGE,3/8-16					
25	6708	SCREW,HHC,3/8-16 X 2.25					
26	131751	EXTRUSION,ALUM,V-ROLLER TRK.....	2				
27	87645	BOLT,CARRIAGE,1/4-20 X .63,G2					
28	6889	NUT,LP NYLOCK,1/4-20					



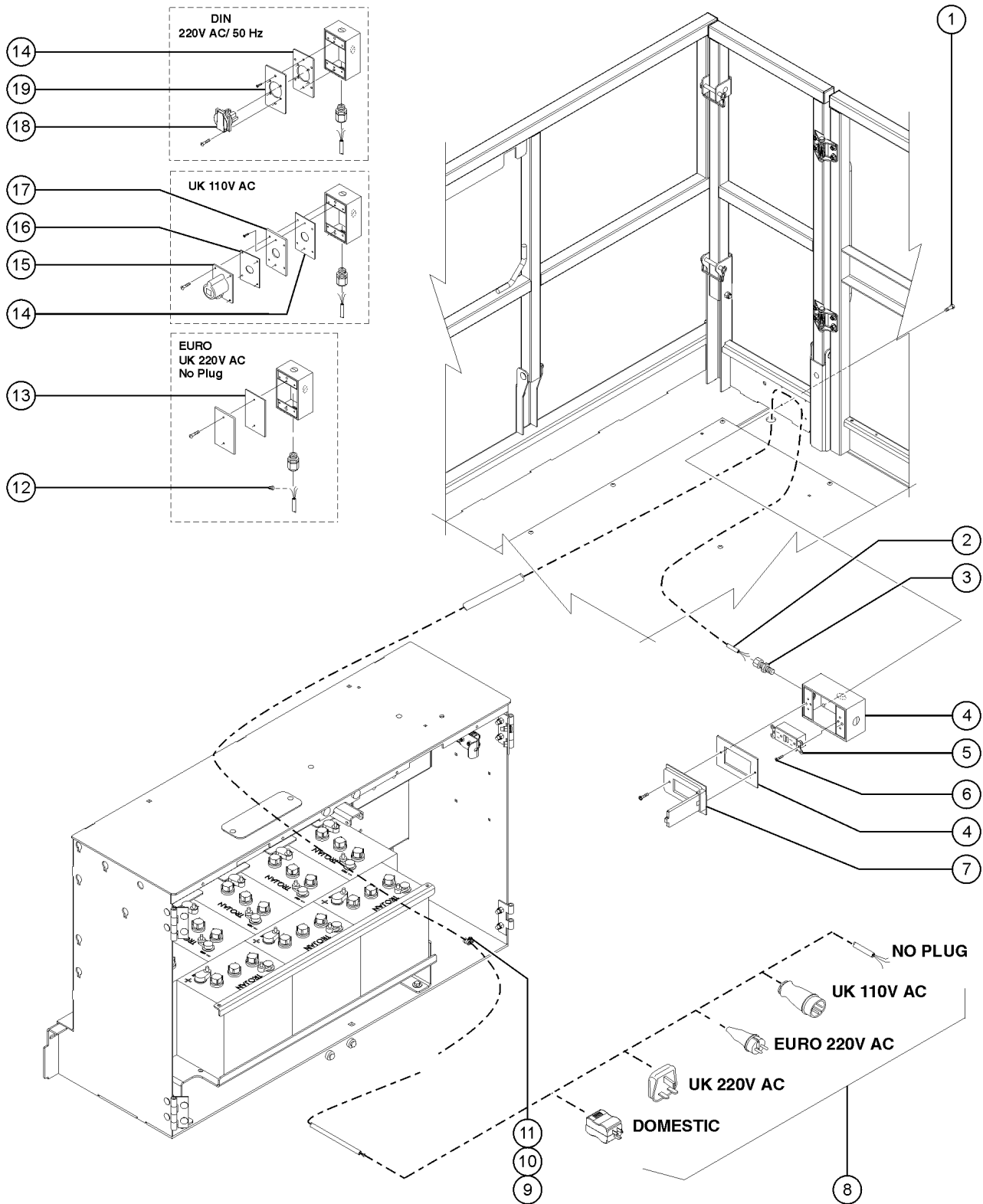
506.1 Platform Extension Deck Lock



506.1 Platform Extension Deck Lock

Item	Part No.	Description	Qty.
1	4828	NUT,NYLOCK,3/8-16	
2	6097	WASHER,FLAT,USS,3/8",Y	
3	6326	SCREW,HHC,3/8-16 X 3.....	4
4A	148422	WLDMT,EXT DECK HANDLE..... <i>(right side)</i>	1
4B	T108039	WLDMT,EXT DECK HANDLE,L..... <i>(left side)</i>	1
5	8914	SCREW,HHC,1/4-20 X .625.....	2
6	T108074	UHMW,EXT LATCH ARM CATCH....	2
7	6889	NUT,LP NYLOCK,1/4-20	

507.1 Power to Platform

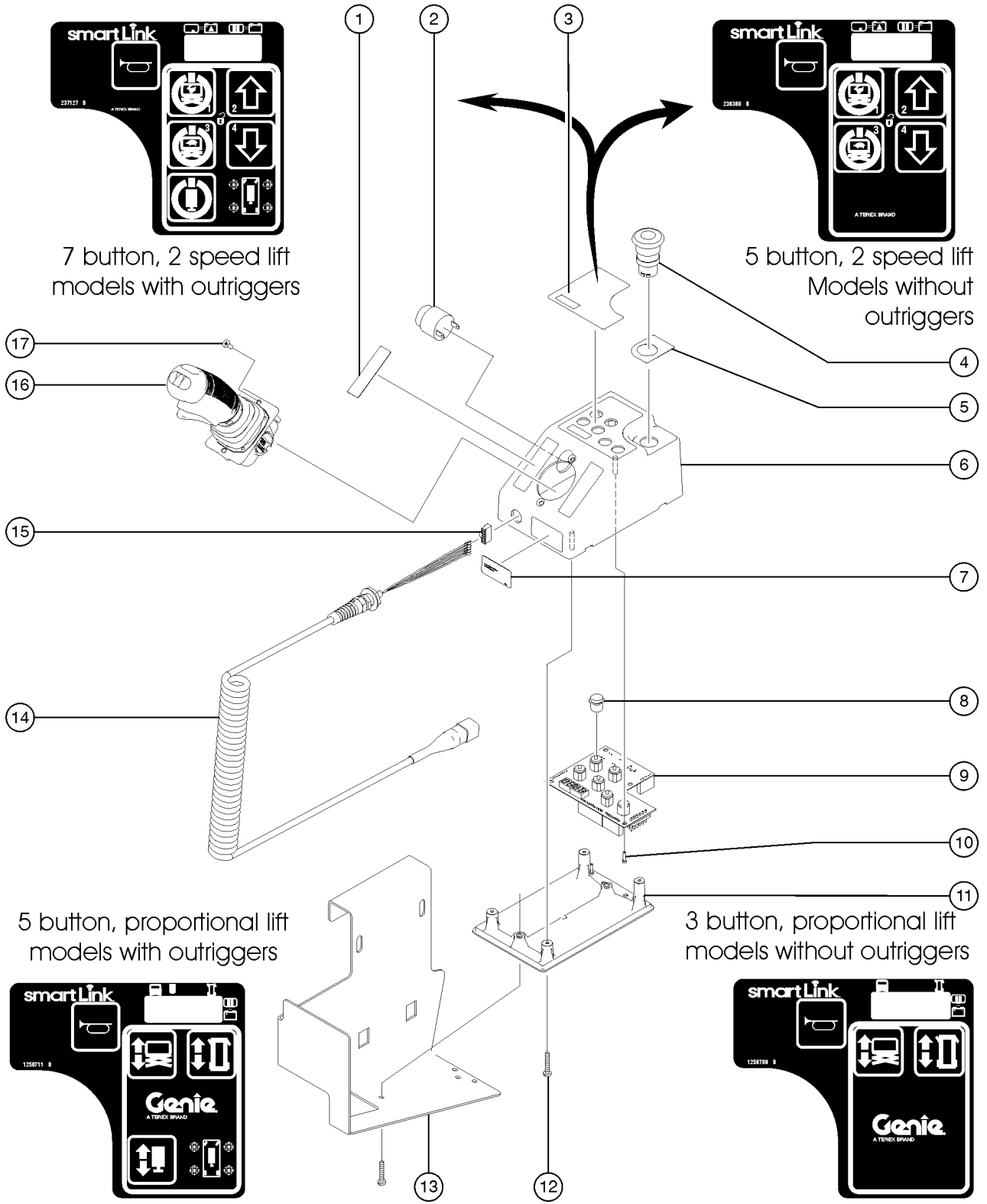


507.1 Power to Platform

Item	Part No.	Description	Qty.	Item	Part No.	Description	Qty.
--	33724	KIT,GASKET,UK POWER TO PLAT. <i>(includes items 14 and 16)</i>		15B	T112560	RECEPTACLE,UK,110V <i>from SN GS6912-1575</i>	
--		FUSE,13 AMP,220V PLUG***		16	66356	GASKET, UK RECEPTACLE.....1	
1	112772	SCREW,PHM,8-32X.438		17	33629	PLATE,UK POWER TO PLATFORM.....1	
2A	43956	WIRE CABLE,14/3 CON.TPE JKT*.....624-inches GS-2669		18	66353	RECEPTACLE, DIN, 220V 50A.....1	
2B	43956	WIRE CABLE,14/3 CON.TPE JKT*.....756-inches GS-3369		19	96236	PLATE,AC ADAPTER,DIN/UK***.....1	
2C	43956	WIRE CABLE,14/3 CON.TPE JKT*.....900-inches GS-4069					
3	7056	CONN,SQUEEZE,1/2NPT .38-.50,SM					
4	10775	T-BOX,2.75 X 4.5 X 2.0.....1					
5	13585	OUTLET,110V GFCI***.....1 <i>(North America)</i>					
6	7127	SCREW,PHILLIPS,PHM,6-32 X .75					
7	45437	COVER,GFCI,WEATHERPROOF....1 <i>(North America; includes gasket and mounting fasteners)</i>					
8	6595	PLUG,ELECTRICAL,DOMESTIC.....1					
--		FUSE,13 AMP,220V PLUG <i>(component no longer available for plug 25388) refer to BS1362 BUSS TDC180-13A</i>					
--	144161	PLUG,PWR,UK,16AMP,3PIN,BLK					
--	25388	PLUG,FUSED,250V,13AMP,U.K.**					
--	65737	FUSE,13 AMP,220V PLUG***					
--	6666	PLUG,ELECTRICAL,220/50,NOVON					
--	87193	PLUG, AUSTRALIAN					
--	REF.	NO PLUG <i>Ref. No Plug - Consult Factory</i>					
9	6090	SCREW,HHC,1/4-20 X .75					
10	6091	NUT,NYLOCK,1/4-20					
11	45470	CLAMP,0.31,#5 X 1/4,RUB CUSH....1					
12	6626	WIRE CAP,ORANGE.....3					
13	10777	COVER,BLANK.....1 <i>(includes mounting fasteners)</i>					
14	66355	GASKET, UK & DIN PWR. TO PLAT.....1					
15A	T112563	SVC KIT,UK RECEPT.REPLACEMENT.....1 <i>to SN GS6912-1574 (includes mounting plate, gasket, fasteners)</i>					



508.1 Platform Controls, 7 and 5 Button (2 Speed Lift)



508.1 Platform Controls, 7 and 5 Button (2 Speed Lift)

Item	Part No.	Description	Qty.	Item	Part No.	Description	Qty.
--	1258347	KIT, SL PROP UPGRD, ANSI, 69DC <i>(models without outriggers) (For 2 speed to proportional lift conversion. Software upgrade is required and available on-line or refer to 509.1 for USB flash drive) to SN GS6914-5499</i>		--	217991	PCON,69DC,OUTRIGGER,SL1K <i>(models with outriggers and 2 speed lift) to SN GS6914-5499</i>	
--	1258348	KIT, SL PROP UPGRD, AUS, 69DC <i>(models without outriggers) (For 2 speed to proportional lift conversion. Software upgrade is required and available on-line or refer to 509.1 for USB flash drive) to SN GS6914-5499</i>		L	219205	FLASH DRIVE,SL1K1.0 SOFTWARE	
--	1258349	KIT, SL PROP UPGRD, CE, 69DC <i>(models without outriggers) (For 2 speed to proportional lift conversion. Software upgrade is required and available on-line or refer to 509.1 for USB flash drive) to SN GS6914-5499</i>		1	137656	DECAL,PROPEL,GR/GRC/GS,PCON.1	
--	1258521	KIT, SL PROP UPGRD ANSI SYM 69 <i>(models without outriggers) (For 2 speed to proportional lift conversion. Software upgrade is required and available on-line or refer to 509.1 for USB flash drive) to SN GS6914-5499</i>		2	39540	ALARM,STEADY TONE***.....1	
--	1258352	KIT, SL PROP UPGRD, ANSI, 69DC <i>(models with outriggers) (For 2 speed to proportional lift conversion. Software upgrade is required and available on-line or refer to 405.1 for USB flash drive) to SN GS6914-5499</i>		--	72326	NUT - PLASTIC,RING FOR ALARMS.....1	
--	1258353	KIT, SL PROP UPGRD, AUS, 69DC <i>(models with outriggers) (For 2 speed to proportional lift conversion. Software upgrade is required and available on-line or refer to 405.1 for USB flash drive) to SN GS6914-5499</i>		3A	236360	DECAL, UI, GS69DC,PCON.....1 <i>(models without outriggers and 2 speed lift) to SN GS6914-5499</i>	
--	1258354	KIT, SL PROP UPGRD, CE, 69DC O <i>(models with outriggers) (For 2 speed to proportional lift conversion. Software upgrade is required and available on-line or refer to 405.1 for USB flash drive) to SN GS6914-5499</i>		3B	237127	DECAL,UI,GS69DC W/OR,PCON....1 <i>(models with outriggers and 2 speed lift) to SN GS6914-5499</i>	
--	1258522	KIT, SL PROP UPGRD ANSI SYM 69 <i>(models with outriggers) (For 2 speed to proportional lift conversion. Software upgrade is required and available on-line or refer to 405.1 for USB flash drive) to SN GS6914-5499</i>		3C	1256709	DECAL, STD, PROP LIFT, 69DC, U.....1 <i>(models without outriggers and converted to proportional lift) to SN GS6914-5499</i>	
--	237613	PCON, 69DC SL1K <i>(models without outriggers and 2 speed lift) to SN GS6914-5499</i>		3D	1256711	DECAL, O/R, PROP LIFT, 69DC, U.....1 <i>(models with outriggers and converted to proportional lift) to SN GS6914-5499</i>	
				4	66812	BUTTON,PUSH,RED MUSHROOM HEAD.....1	
				--	66817	BASE WITH 1 NC CONTACT, E-STOP	
				--	66818	CONTACT,NC	
				5	137605	DECAL,E-STOP,GR/GRC/GS PCON.....1	
				6A	214253	ENCLOSURE,GC14-1,TOP.....1 <i>(models without outriggers)</i>	
				6B	214254	ENCLOSURE,GC16-1,TOP <i>(for models with outriggers)</i>	
				7A	237615	LABEL,SERIAL 69 DC PCON SL1K.....1 <i>(models without outriggers)</i>	
				7B	218050	LABEL,PCON,69DC,OUTRIGGER <i>(for models with outriggers)</i>	
				8	T106373	CAP,BUTTON,K12.....5	
				9A	137522	PCBA, GC14-1.....1 <i>(models without outriggers)</i>	
				9B	137711	PCBA, GC16-1 <i>(for models with outriggers)</i>	
				10	137637	SCREW,PHM,4-20X.5, 48-2 TRI-L	



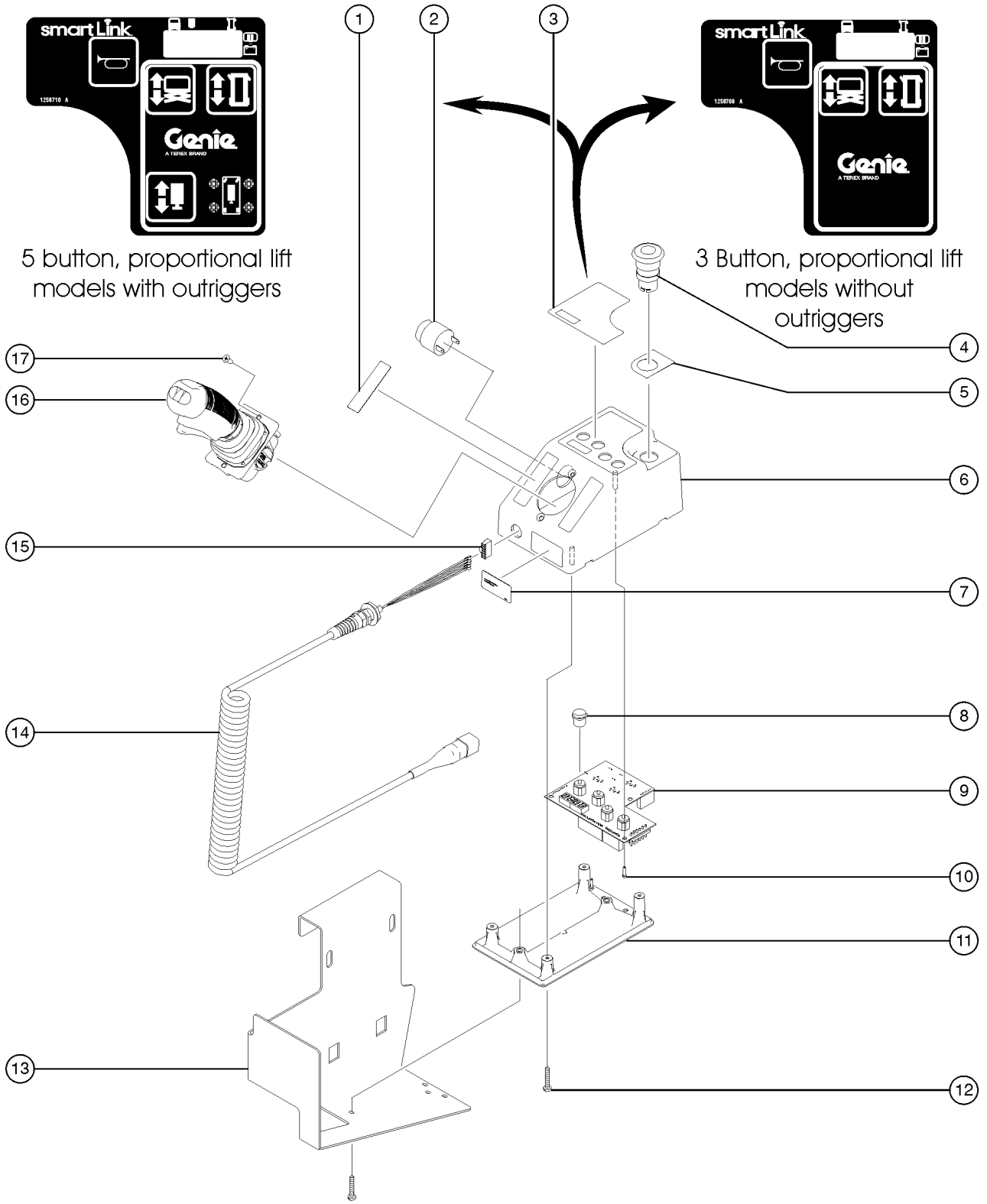
508.1 Platform Controls, 7 and 5 Button (2 Speed Lift)
(continued)

Item	Part No.	Description	Qty.
11	T106370	ENCLOSURE,GC14-1/GC16-1, BOT.....	1
--	69853	INSERT, 1/4-20 X .5,ULTRASONIC	
12	137640	SCREW,PHM,8-16X.75, 48-2 TRI-L	
13	T114397	FORMING,PLAT CONTROL BOX.... <i>(decals not included, refer to section 100)</i>	1
14	235464	KIT,COIL CORD,CONTRLR,SL1000..... <i>includes item 15</i>	1
--	137611	ASSY, COIL CORD, GR/GRC/GS	
15	137699	PLUG, 6POS ECO PWR.....	1
16		Ref., JOYSTICK..... <i>(refer to 510.1)</i>	1
17	229845	SCREW,BHSCS,M5X10,SS <i>apply Loctite 243 or equivalent before installation</i>	

508.1 Platform Controls, 7 and 5 Button (2 Speed Lift)
(continued)

This Page Intentionally Left Blank

509.1 Platform Controls, 5 and 3 Button (Proportional Lift)

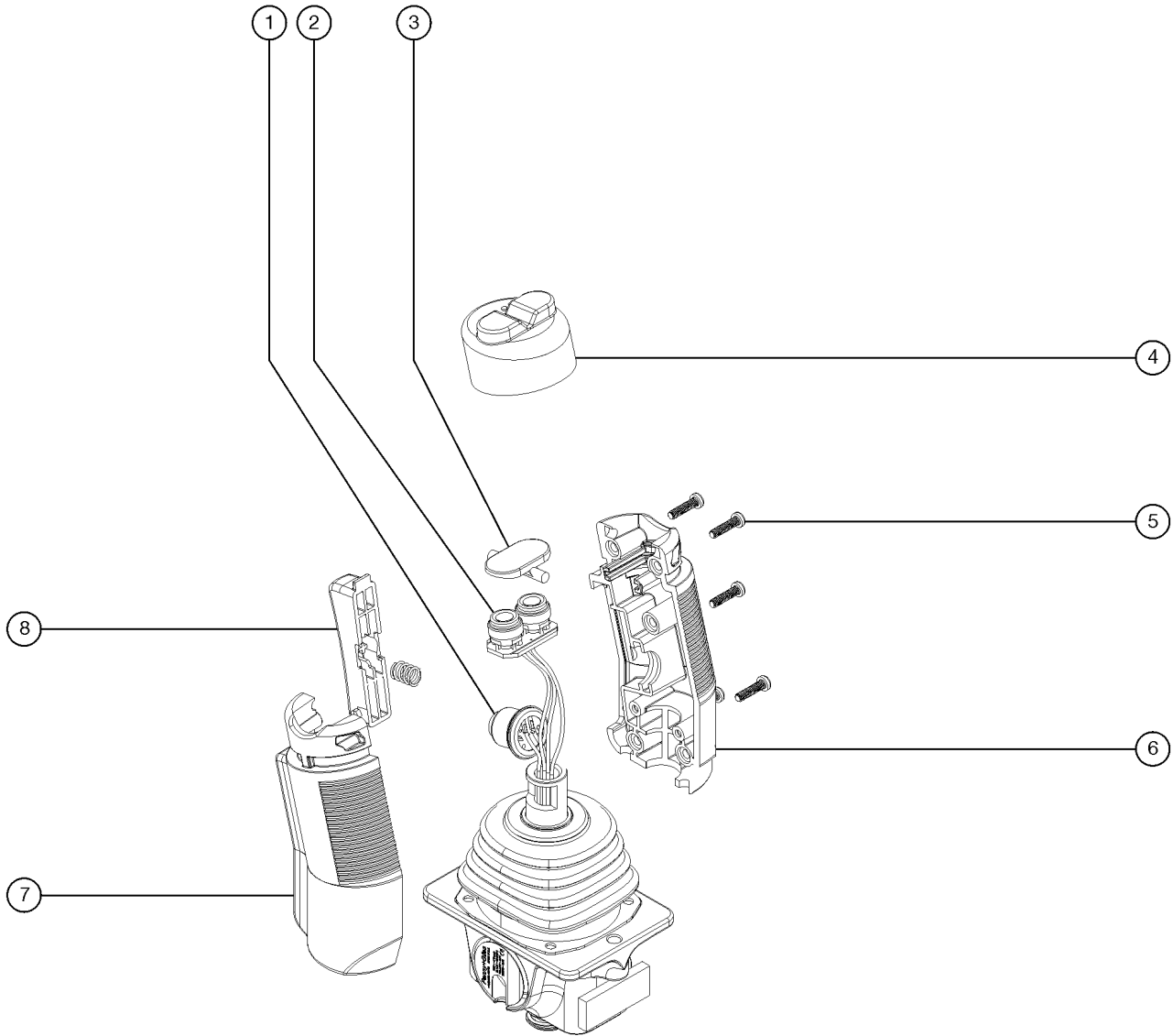


509.1 Platform Controls, 5 and 3 Button (Proportional Lift)

Item	Part No.	Description	Qty.	Item	Part No.	Description	Qty.
A	1256729	PCON,STD,PROP LIFT,69DC <i>(models without outriggers)</i>		11	T106370	ENCLOSURE,GC14-1/GC16-1, BOT.....	1
--	1258731	FLASH DRIVE,SL1K2.0 SOFTWARE <i>(For proportional lift or upgrade kits only. Software update available on-line. Flash drive sold separately.)</i>		--	69853	INSERT, 1/4-20 X .5,ULTRASONIC	
--	137587	HARNESS, ESTOP, GR/GRC/GS PCON		12	137640	SCREW,PHM,8-16X.75, 48-2 TRI-L	
B	1256730	PCON,O/R,PROP LIFT,69DC <i>(models with outriggers)</i>		13	T114397	FORMING,PLAT CONTROL BOX....1 <i>(decals not included, refer to section 100)</i>	
--	128731	FLASH DRIVE,SL1K2.0 SOFTWARE <i>(For proportional lift or upgrade kits only. Software update available on-line. Flash drive sold separately.)</i>		14	235464	KIT,COIL CORD,CONTRLR,SL1000.....	1
--	137587	HARNESS, ESTOP, GR/GRC/GS PCON		--	137611	ASSY, COIL CORD, GR/GRC/GS	
1	137656	DECAL,PROPEL,GR/GRC/GS,PCON.1		15	137699	PLUG, 6POS ECO PWR.....	1
2	39540	ALARM,STEADY TONE***	1	16		Ref., JOYSTICK.....	1
--	72326	NUT - PLASTIC,RING FOR ALARMS.....	1	17	229845	SCREW,BHSCS,M5X10,SS <i>apply Loctite 243 or equivalent before installation</i>	
3A	1256708	DECAL,STD,PROP LIFT,69DC,UI....	1				
		<i>(models without outriggers)</i>					
3B	1256710	DECAL,O/R,PROP LIFT,69DC,UI....	1				
		<i>(models with outriggers)</i>					
4	66812	BUTTON,PUSH,RED MUSHROOM HEAD.....	1				
--	66817	BASE WITH 1 NC CONTACT, E-STOP					
--	66818	CONTACT,NC					
5	137605	DECAL,E-STOP,GR/GRC/GS PCON.....	1				
6A	1256655	ENCLOSURE,STD 3-BUTTON,TOP <i>(models without outriggers)</i>					
6B	1256657	ENCLOSURE,O/R 4-BUTTON,TOP <i>(for models with outriggers)</i>					
7A	1256813	LABEL,PCON STD,69DC,SERIAL <i>(models without outriggers)</i>					
7B	1256814	LABEL,PCON O/R,69DC,SERIAL <i>(for models with outriggers)</i>					
8	T106373	CAP,BUTTON,K12.....	5				
9A	1256725	PCBA,PCON STD,PROP LIFT <i>(models without outriggers)</i>					
9B	1256726	PCBA,PCON O/R,PROP LIFT <i>(for models with outriggers)</i>					
10	137637	SCREW,PHM,4-20X.5, 48-2 TRI-L					



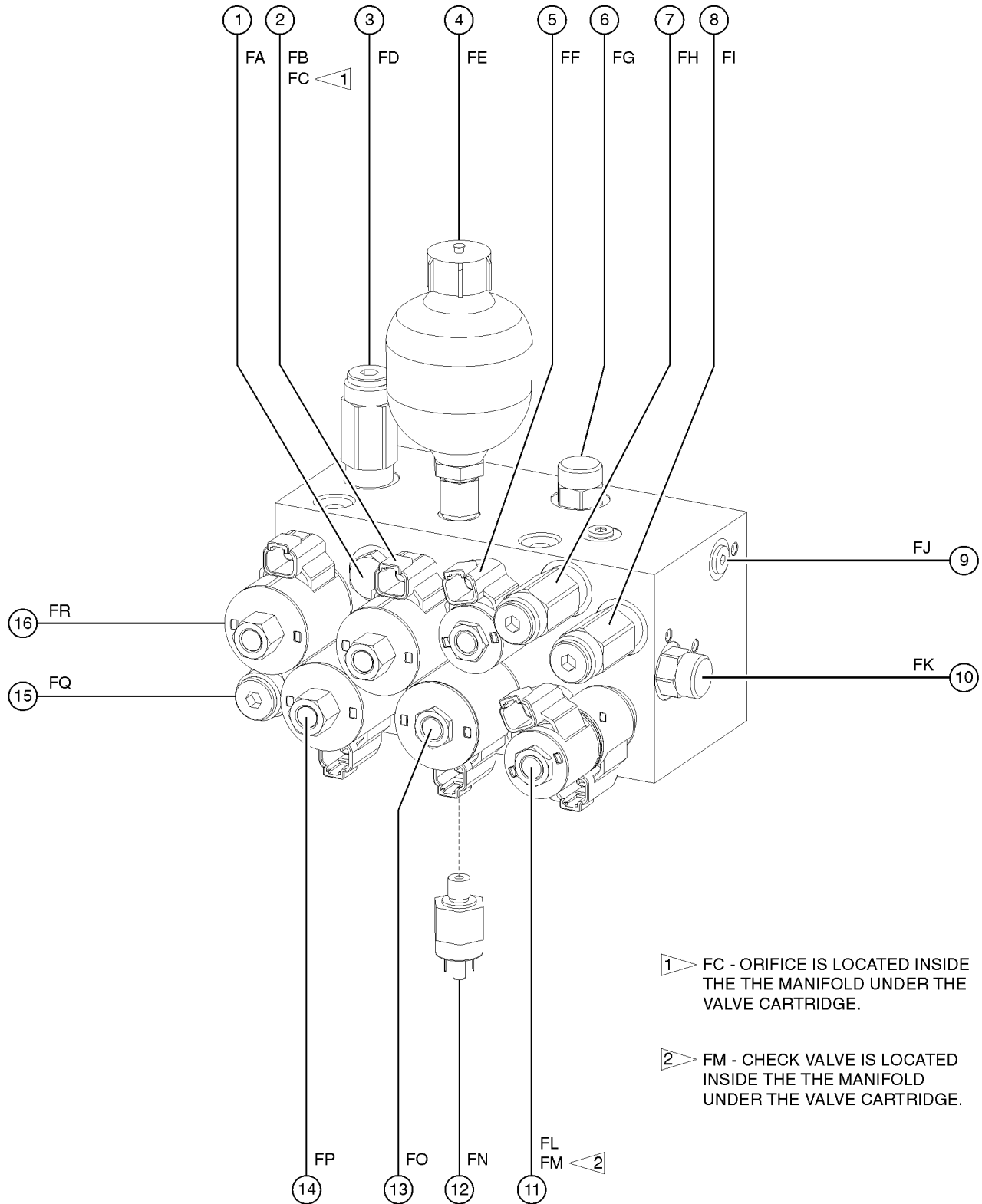
510.1 Platform Controls Joystick



510.1 Platform Controls Joystick

Item	Part No.	Description	Qty.
--	137634	JOYSTICK, HALL EFFECT, SINGLE	
--	229097	TERMINAL, SPLINE (AMP)	
--	214544	KIT,BOOT,JOYSTICK,SL1000 <i>joystick boot</i>	
1	235463	KIT,SWITCH,JYSTK,SL1000 <i>function enable and steer switches</i>	
2	235463	KIT,SWITCH,JYSTK,SL1000 <i>function enable and steer switches</i>	
3	229092	ROCKER,2 SWITCH.....	1
4	229093	BOOT, 2 SWITCH, SILICON.....	1
5	229086	SCREW, SELF TAP.....	5
6	229087	HANDLE HALF,RIGHT,W/TOP SWITCH.....	1
6A	229091	SCREW,GRUB,M5X8MM,HLF DOG,BZP <i>for 229087</i>	
7	229088	HANDLE HALF,LEFT,W/TOP SWITCH.....	1
7A	229090	SCREW,GRUB,M5X8MM CUP(BLK) <i>for 229088</i>	
8	229089	TRIGGER, EXTENDED.....	1
--	229094	SPRING, HANDLE TRIGGER.....	1

601.1 Function Manifold

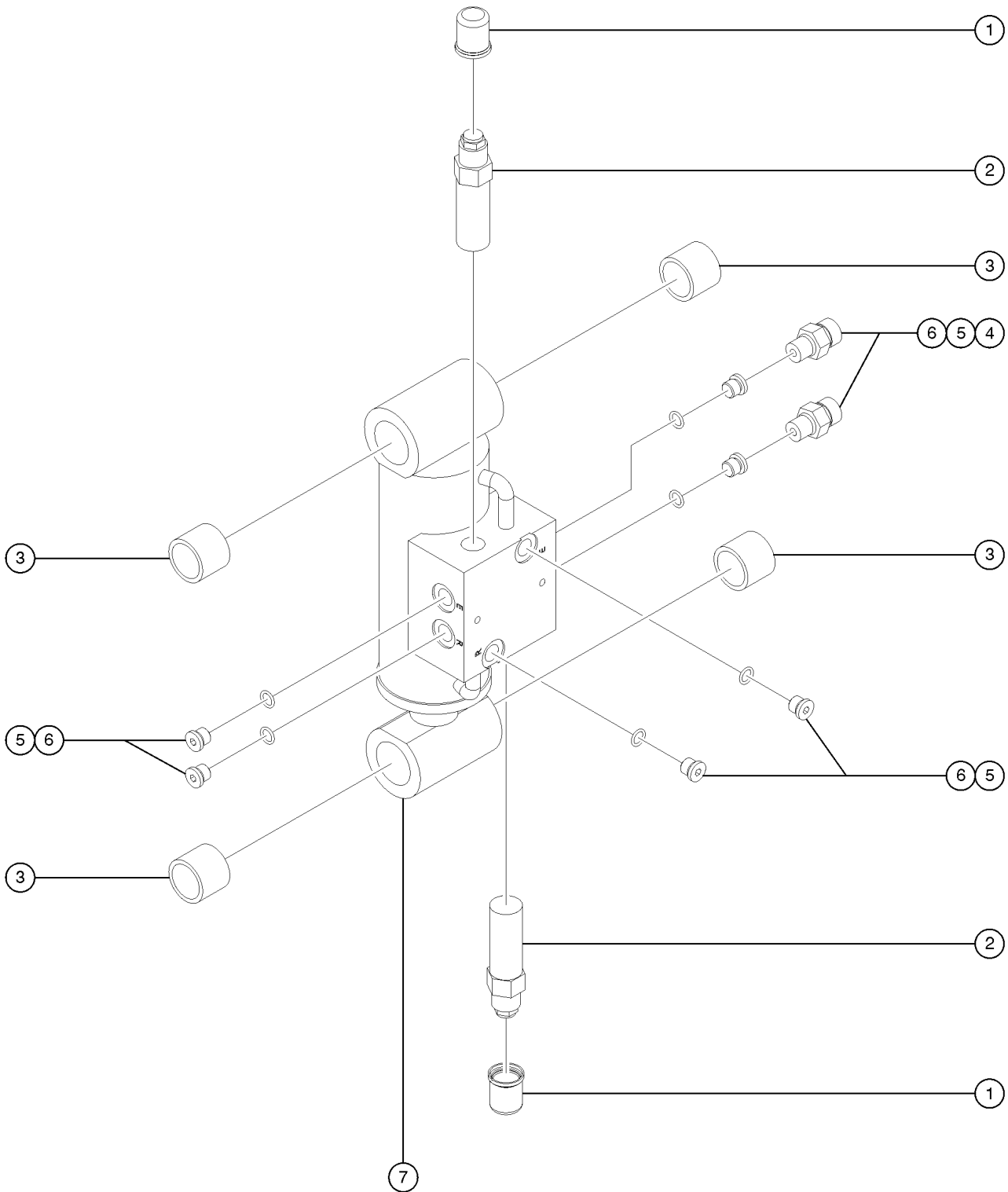


601.1 Function Manifold

Item	Part No.	Description	Qty.	Item	Part No.	Description	Qty.
--	230861	MANIFOLD,FUNCTION,GS69,DC <i>Complete (does not include fittings)</i>		16	218616	VALVE,DIRECTION,2-POS,3WAY,SCRN.1 <i>(FR, oscillate left)</i>	
1	218730	VALVE,CHECK,10 PSI.....1 <i>(FA, oscillate circuit)</i>		--	101069	ORIFICE DISK,.030	
2	218616	VALVE,DIRECTION,2-POS,3WAY,SCRN.1 <i>(FB, oscillate/accumulator)</i>		--	104763	COIL,24VDC #10DTSCH IP69 ECOIL	
--	101069	ORIFICE DISK,.030 <i>(FC)</i>					
--	104763	COIL,24VDC #10DTSCH IP69 ECOIL					
3	97172	VALVE-RELIEF,3500PSI.....1 <i>(FD, lift circuit)</i>					
4	94499	ACCUMULATOR,10CC,1000PSI,#6SAE.1 <i>(FE, oscillate circuit)</i>					
5	218617	VALVE,SOLENOID, 2POS,3WAY,SCRN.....1 <i>(FF, oscillate circuit)</i>					
--	104762	COIL,24VDC #8DTSCH IP69 ECOIL					
6	218731	VALVE, FLOW REG, 1.0 GPM.....1 <i>(FG, controls flow to the oscillate circuit)</i>					
7	97172	VALVE-RELIEF,3500PSI.....1 <i>(FH, system relief)</i>					
8	218732	VALVE, CROSS RELIEF, 1500 PSI.....1 <i>(FI, steer circuit)</i>					
9	52907	VALVE-CHECK, #4 SAE, 5 PSI*.....1 <i>(FJ, load sense)</i>					
10	218733	VALVE,FLOW REG,2.0 GPM.....1 <i>(FK, controls flow to the steer circuit)</i>					
11	234600	VALVE, SOLENOID, 5W-3P.....1 <i>(FL, steer circuit)</i>					
--	104762	COIL,24VDC #8DTSCH IP69 ECOIL					
--	234599	VALVE, CHECK, DROP IN <i>(FM)</i>					
12	237797	SWITCH,PRESS,#4SAE,1500 PSI.....1 <i>(FN, oscillate/accumulator)</i>					
13	218735	VALVE,SOLENOID,2-POS,3-WAY....1 <i>(FO, lift circuit)</i>					
--	104763	COIL,24VDC #10DTSCH IP69 ECOIL					
14	218616	VALVE,DIRECTION,2-POS,3WAY,SCRN.1 <i>(FP, oscillate right)</i>					
--	101069	ORIFICE DISK,.030					
--	104763	COIL,24VDC #10DTSCH IP69 ECOIL					
15	218734	VALVE,RELIEF,3300 PSI.....1 <i>(FQ, oscillate relief)</i>					



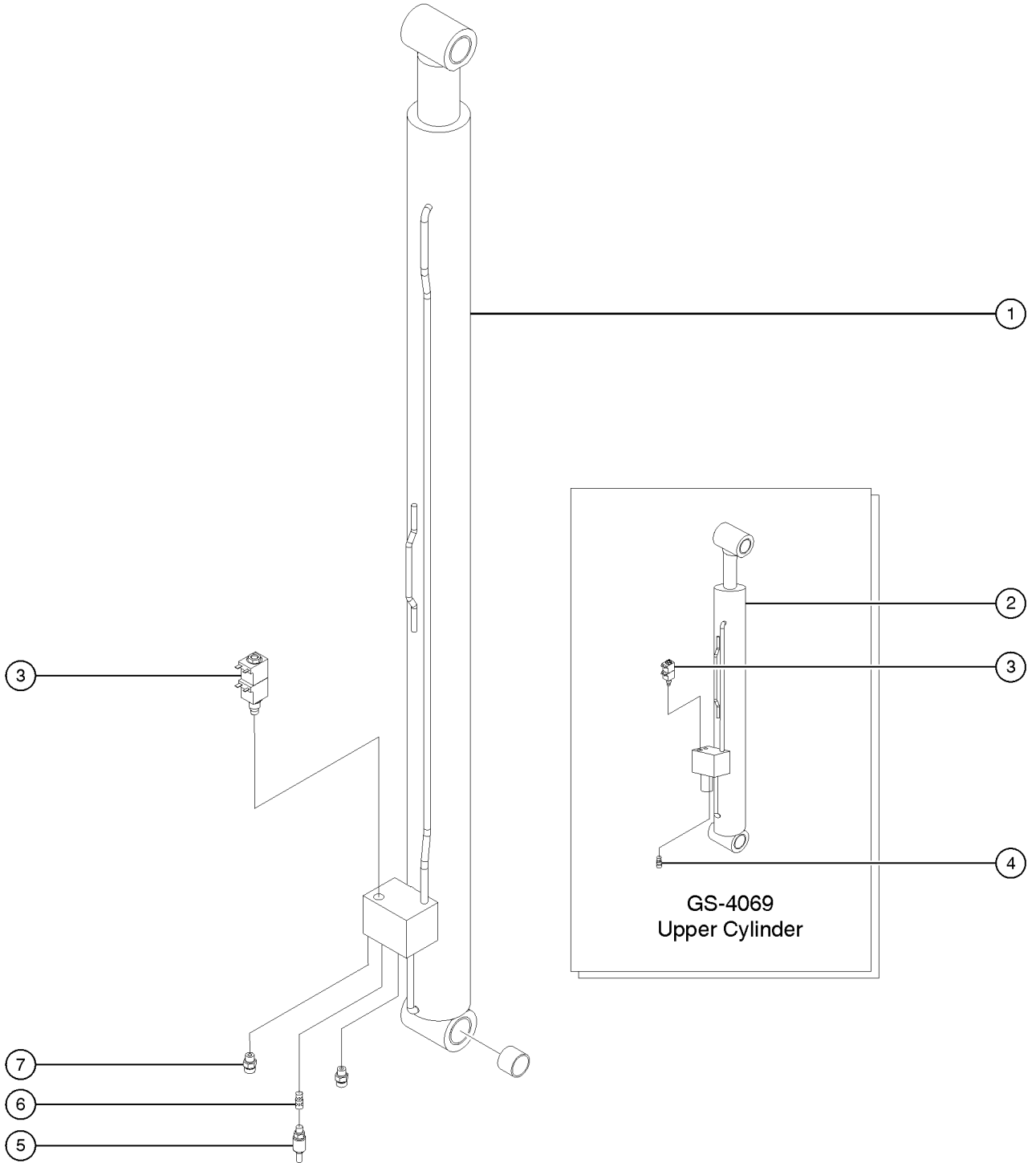
602.1 Oscillate Cylinder Assembly, All Models



602.1 Oscillate Cylinder Assembly, All Models

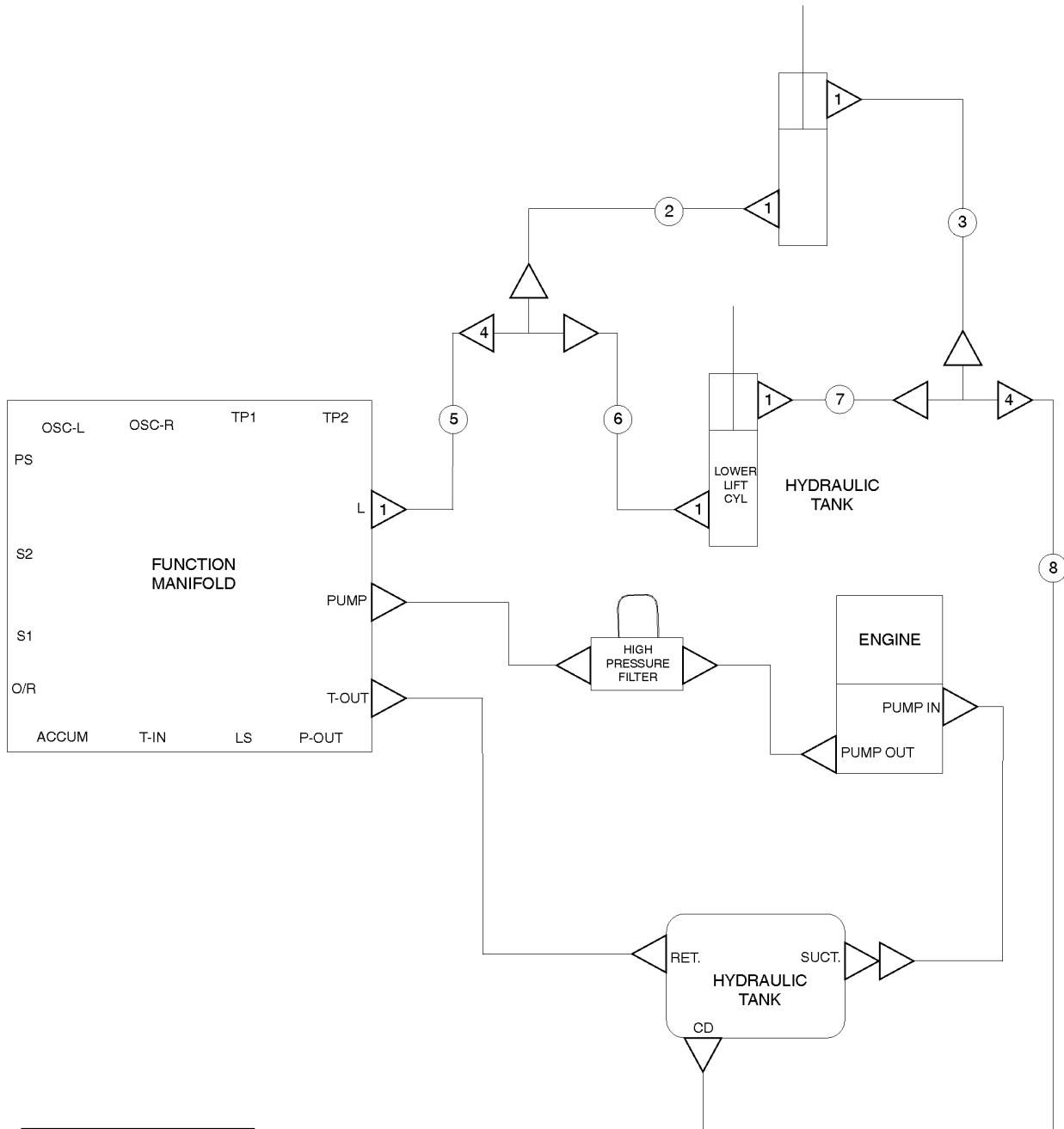
Item	Part No.	Description	Qty.
--	128142	SERV KIT,CAP,SERIES 1CB VALVE <i>(package of 4)</i>	
1	128085	CAP,SERIES 1 CB VALVE,SINGLE**.....	2
2	115402	VALVE,COUNTERBALNCE,3800 PSI.....	2
3	25817	BEARING,1.00IDX1.25ODX1.00L....	4
4	48905	CONN,520120-4***	2
5	39882	PLUG,HEX SOCKET,090109B-4.....	6
6	53500	O-RING-4.....	6
7	131621	CYLINDER,OSCILATING,GS69.....	1
--	226380	SEAL KIT,226380 <i>(for 131621)</i>	

603.1 Lift Cylinders



Item	Part No.	Description	Qty.
1	131920	CYLINDER, LIFT, LOWER, GS69....1	
--	226378	SEAL KIT (for 131920)	
2	131921	CYLINDER,LIFT,UPPER,4069.....1 GS-4069DC	
--	226379	SEAL KIT GS-4069DC (for 131921)	
--	44227	SEAL KIT, VALVE (for 97130)	
--	97130	VALVE-RELIEF,2500PSI (for 131921) (sold seperately)	
3	66683	VALVE,DBL PULL S-NOID 20V***...1	
--	44973	NUT,COIL (39909)	
--	84421	WASHER-SOLENOID VALVE (66683)*	
--	84422	COIL-SOLENOID VALVE,20V DC***	
--	84423	VALVE,2 POSITION 2 WAY***	
4A	230858	ORIFICE,LONG, .086".....1 GS-2669DC, GS-3369DC	
4B	55559	ORIFICE,LONG, .046".....1 GS-4069DC	
5		Ref. HARNESS, PRESSURE SWITCH.....1 (refer to 309.1)	
6	230858	ORIFICE,LONG, .086".....1	
7	48916	FITTING,CONN,520120-6.....2	

604.1 Hydraulic Hoses and Fitting, Lift Cylinder, GS-4069

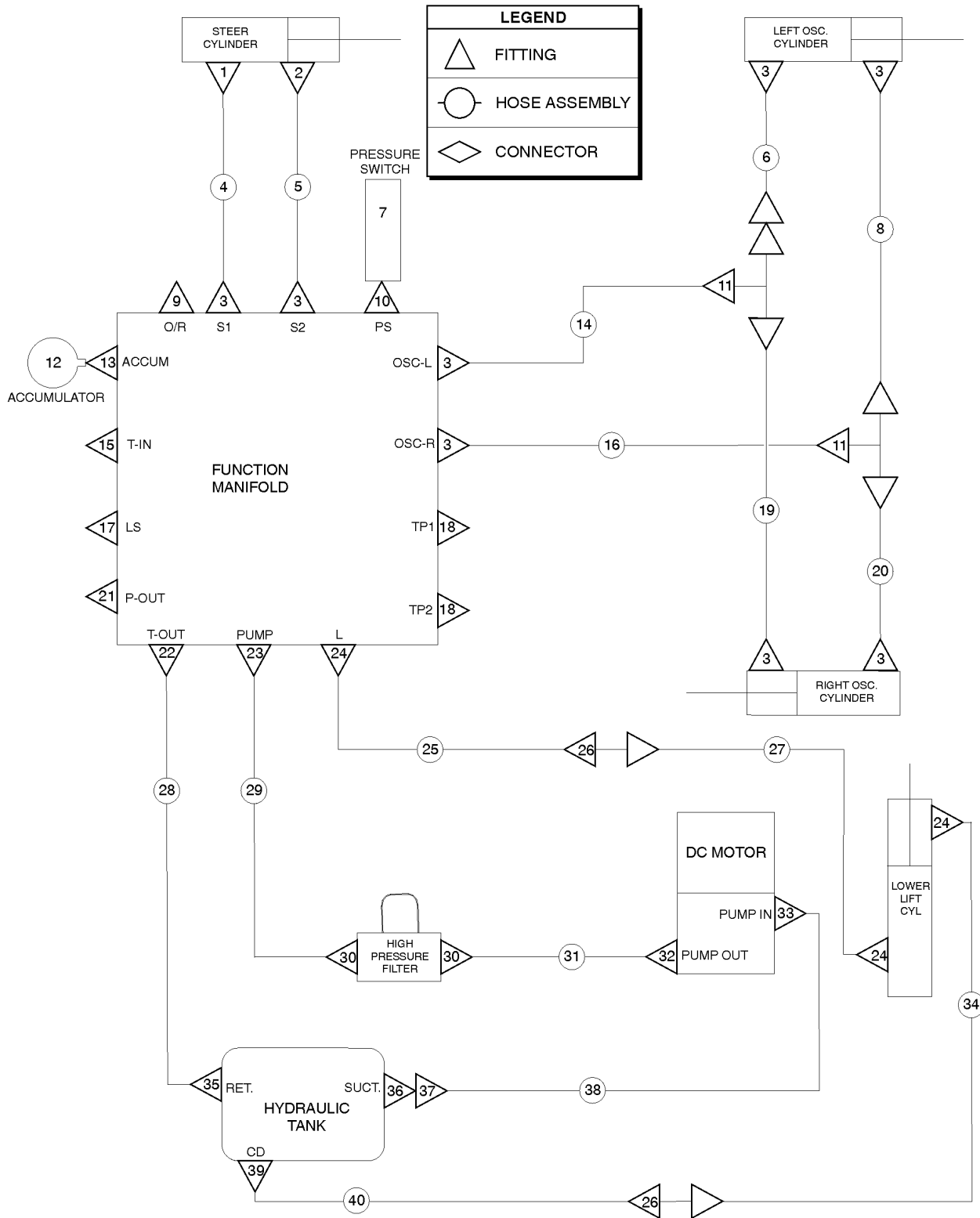


LEGEND	
	FITTING
	HOSE ASSEMBLY
	CONNECTOR

604.1 Hydraulic Hoses and Fitting, Lift Cylinder, GS-4069

Item	Part No.	Description	Qty.
1	48916	FITTING,CONN,520120-6.....2	
2	227479	HOSE ASSY,RET(ULCYL)-RET(TEE).....1 <i>(components: 48812, 48816, 48753 @ 410 inches)</i>	
3	227478	HOSE ASSY,PRESS(TEE)-PRESS(ULC....1 <i>(components: 48812, 48816, 56776 @ 410 inches)</i>	
4	227614	TEE,BULKHEAD,RUN,520120-6.....2	
5		Ref. HOSE ASSY,LIFT(F.MF)-P(TEE) <i>(refer to 605.1)</i>	
6		Ref. HOSE ASSY,PRESS(TEE)-PRESS(LLC <i>(refer to 605.1)</i>	
7		Ref. HOSE ASSY,RET(LLCYL)-RET(TEE) <i>(refer to 605.1)</i>	
8		Ref. HOSE ASSY,RET(TEE)-TANK <i>(refer to 605.1)</i>	

605.1 Hydraulic Hoses and Fittings

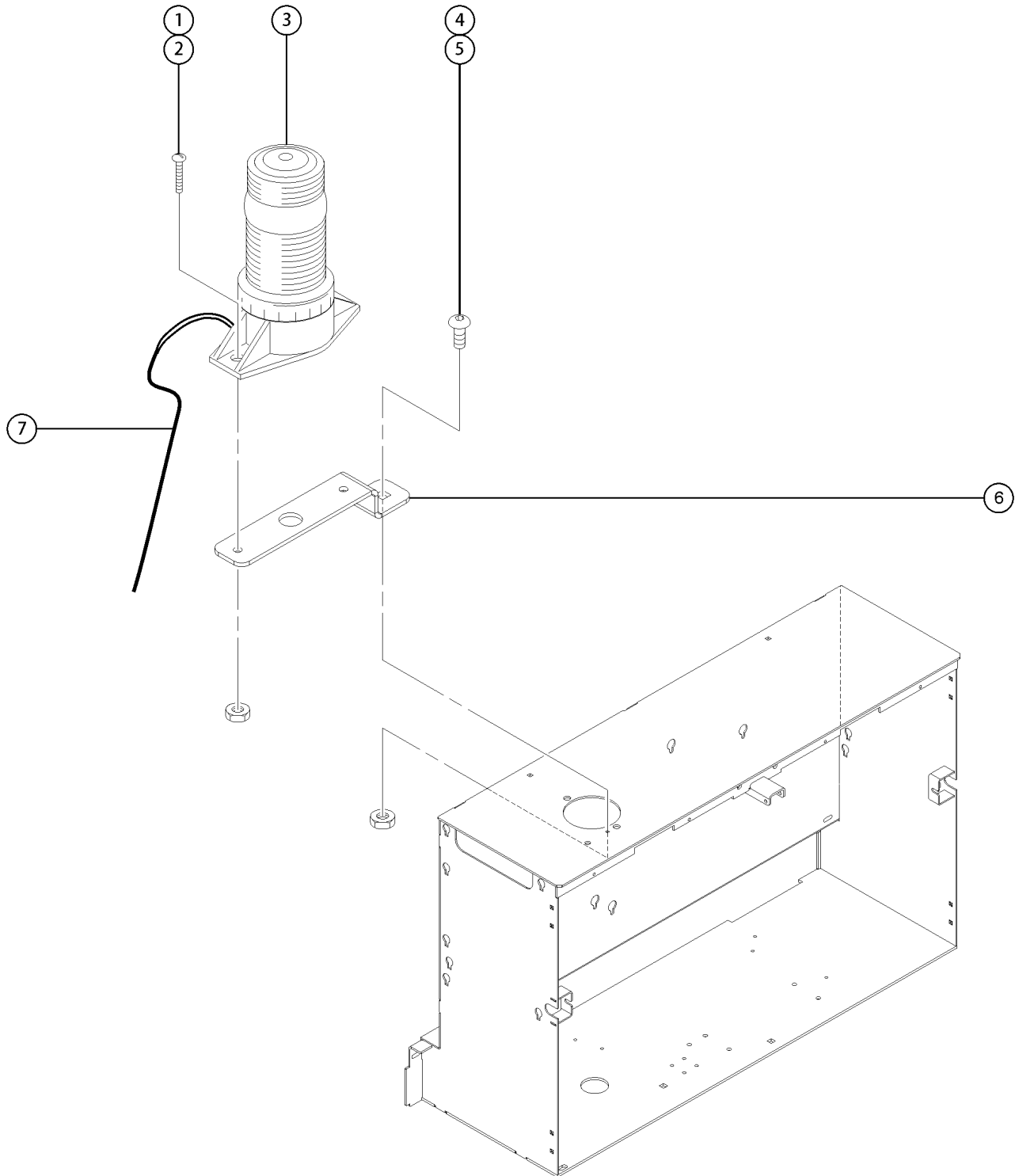


605.1 Hydraulic Hoses and Fittings

Item	Part No.	Description	Qty.	Item	Part No.	Description	Qty.
1	48912	CONN,520120-4-6***.....	1	21	238256	PLUG,HEX SOCKET,090109B-8.....	1
2	39875	ELBOW,070220-4-6.....	2	22	48960	FITTING,CONN,520120-12.....	1
3	48905	CONN,520120-4***.....	8	23	48933	CONN,520120-8***.....	1
4	227466	HOSE ASSY,S1(F.MF)-B(STRCYL).....	1	24	48916	FITTING,CONN,520120-6.....	3
		(components: 48800, 48801, 48751 @ 74 inches)		25	227471	HOSE ASSY,LIFT(F.MF)-P(TEE).....	1
5	227467	HOSE ASSY,S2(F.MF)-R(STRCYL).....	1	26	227613	UNION,BULKHEAD,ORFS,-6-6.....	2
		(components: 48800, 48801, 48751 @ 81 inches)		27	227472	HOSE ASSY,PRESS(TEE)-PRESS(LLC.....)	1
6	227469	HOSE ASSY,OSC(TEE)-E(L.OSC.CYL.....)	1			(components: 48812, 48812, 56776 @ 128 inches)	
		(components: 48800, 48802, 48751 @ 19.5 inches)		28	215214	HOSE,ASSY,T-OUT(F,MF)-RET(TNK).1	1
7	237797	SWITCH,PRESS,#4SAE,1500 PSI.....	1			(components: 48809, 48809, 39889 @ 34 inches)	
8	227610	HOSE ASSY,OSC(TEE)-R(L.OSC.CYL.....)	1	29	215215	HOSE,ASSY,FIL-P,IN(F,MF).....	1
		(components: 48800, 48802, 48751 @ 19.5 inches)				(components: 48822, 48822, 56777 @ 8 inches)	
9	49517	PLUG,HEX SOCKET,090109B-6***.....	1	30	48947	ELBOW,90D,520220-8-12.....	2
10	131393	REDUCER,MORB-FORB,04-04****.1	1	31	237932	HOSE,ASSY,OUT(PUMP)-FIL.....	1
11	48909	TEE,BULKHEAD,RUN,520958-4.....	1			(components: 48822, 48822, 56777 @ 11 inches)	
12	94499	ACCUMULATOR,10CC,1000PSI,#6SAE.2	2	32	48946	CONN,520120-8-10.....	1
13	83020	COUPLER,090136, 4-6.....	1	33	48878	ELBOW,90D,520220-16-12.....	1
14	227468	HOSE ASSY,OSC(F.MF)-OSC(TEE).....	1	34	227473	HOSE ASSY,RET(LLCYL)-RET(TEE).....	1
		(components: 48800, 48800, 48751 @ 74 inches)				(components: 48812, 48812, 48753 @ 128 inches)	
15	87172	PLUG,HEX SOCKET,090109B-12...1	1	35	48959	FITTING,ELBOW,90D,520220-12....	1
16	227609	HOSE ASSY,OSCR(F.MF)-OSC(TEE).....	1	36	101490	STRAINER,16 SAE F/24 SAE M....	1
		(components: 48800, 48800, 48751 @ 74 inches)		37	48984	CONN,520120-16.....	1
17	39882	PLUG,HEX SOCKET,090109B-4.....	1	38	237931	HOSE,ASSY,SUCT(TANK)-IN(PUMP).1	1
18	48997	NIPPLE,DIAGNOSTIC,#4 PORT***.....	2			(components: 48854, 48854, 48764 @ 19.5 inches)	
19	227612	HOSE ASSY,OSC(TEE)-R(R.OSC.CYL.....)	1	39	48915	ELBOW,90D,520220-6.....	1
		(components: 48800, 48802, 48751 @ 19.5 inches)		40	227474	HOSE ASSY,RET(TEE)-TANK.....	1
20	227611	HOSE ASSY,OSC(TEE)-E(R.OSC.CYL.....)	1			(components: 48812, 48812, 48753 @ 75 inches)	
		(components: 48800, 48802, 48751 @ 19.5 inches)					



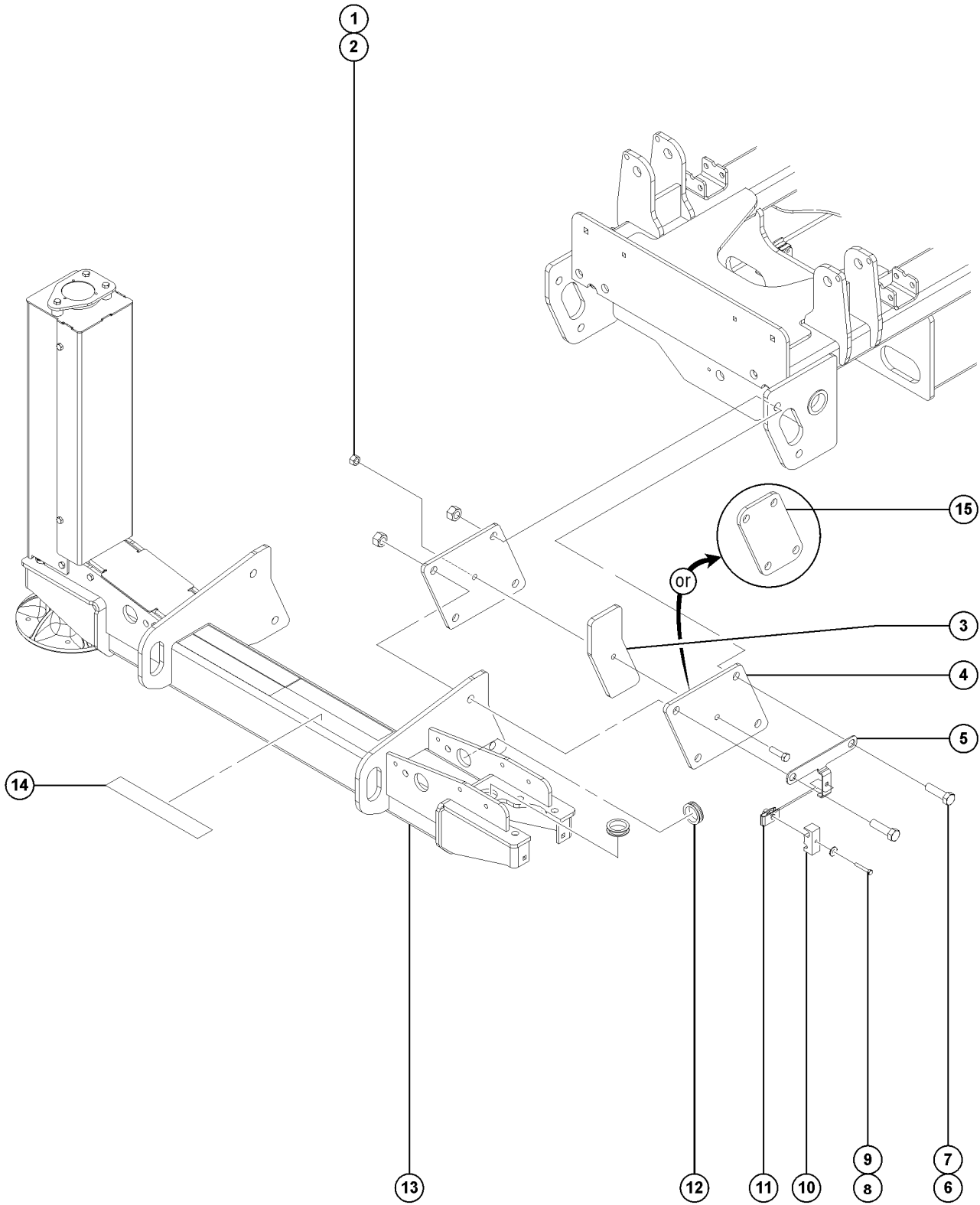
701.1 Flashing and Motion Beacon



701.1 Flashing and Motion Beacon

Item	Part No.	Description	Qty.
1	49816	SCREW,PHILLIPS,PHM,10-32 X .75	
2	6178	NUT,NYLOCK,10-32	
3	87265	BEACON LIGHT ASSY.....2	
--	105556	LENS,FLASHING BEACON <i>for 87265</i>	
--	105557	BULB,FLASHING BEACON <i>for 87265</i>	
4	6878	BOLT,CARRIAGE,1/4-20 X .75,G2	
5	6091	NUT,NYLOCK,1/4-20	
6	79374	FORMING,BEACON MOUNT.....2	
7	148076	HARNES,BEACON,GS69	

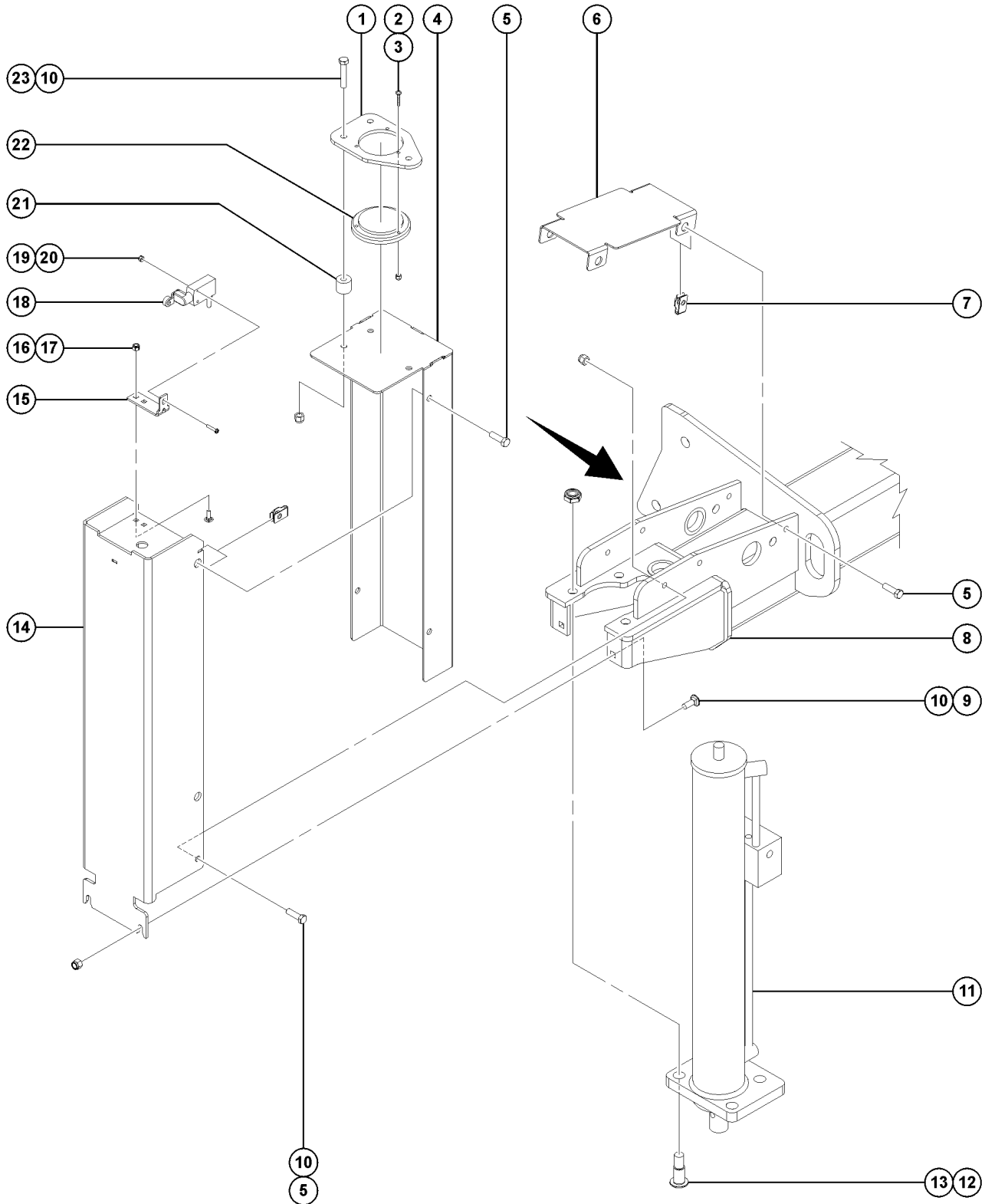
702.1 Outrigger Installation, View 1



702.1 Outrigger Installation, View 1

Item	Part No.	Description	Qty.
1	6178	NUT,NYLOCK,10-32.....2 <i>(steer end) (models with high floatation tires)</i>	2
2	6096	SCREW,HHC,1/2-13 X 2 GR5.....2 <i>(steer end) (models with high floatation tires)</i>	2
3	160740	PLATE,O/R SPACER, HI FLOAT.....2 <i>(steer end) (models with high floatation tires)</i>	2
4	160739	PLATE, O/R MOUNT, HI FLOAT.....4 <i>(steer end) (models with high floatation tires)</i>	4
5A	160744	FORM,O/R FRONT CLAMP,HI FLOAT.....2 <i>(steer end) (models with high floatation tires)</i>	2
5B	148409	FORMING,O/R FRONT CLAMP.....2 <i>(steer end) (models without high floatation tires)</i>	2
6	51428	SCREW,HHC,3/4-10 X 2.75.....8	8
7	10258	NUT,NYLOCK,3/4-10.....8	8
8	6637	SCREW,HHC,1/4-20 X 1.75.....2 <i>(steer end)</i>	2
9	6638	WASHER,FLAT,USS,1/4"Y.....2 <i>(steer end)</i>	2
10	148410	CLAMP,#4 HOSE,CLAMP.....2 <i>(steer end)</i>	2
11	56912	SPRING CLIP,1/4-20,.025-.15X.5.....2 <i>(steer end)</i>	2
12	47238	GROMMET,RUBBER 1.5 ID.....8	8
13	-	Ref. WELDMENT,OUTRIGGER YOKE <i>(refer to 703.1)</i>	
14	148329	TAPE, NON-SKID, 2"X14".....2	2
15	148046	PLATE,OUTRIGGER MOUNT.....4 <i>(non-steer end and steer end models without high floatation tires)</i>	4

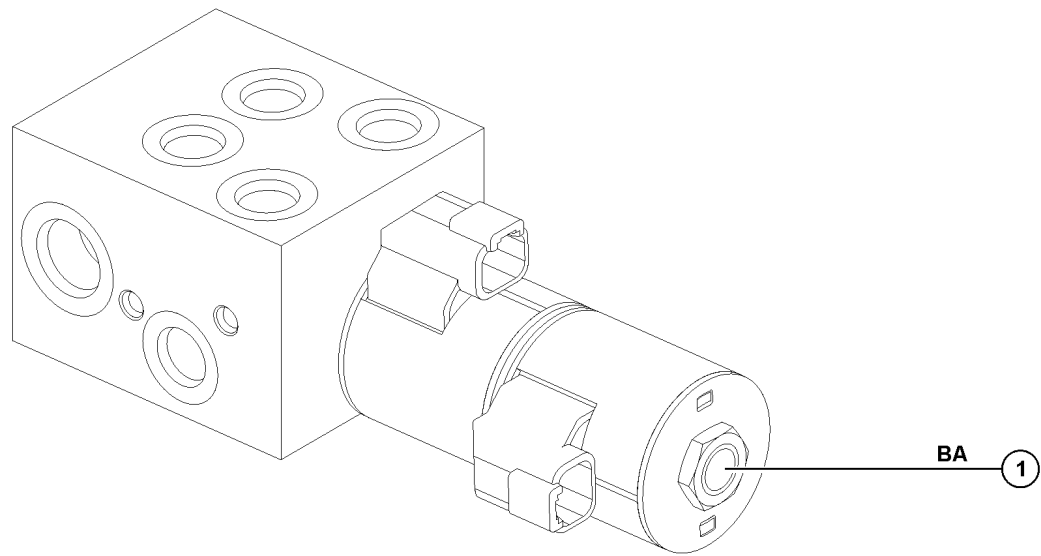
703.1 Outrigger Installation, View 2



703.1 Outrigger Installation, View 2

Item	Part No.	Description	Qty.
1	87002	PLATE,BUBBLE LEVEL MOUNT.....1	
2	49816	SCREW,PHILLIPS,PHM,10-32 X .75	
3	6178	NUT,NYLOCK,10-32	
4	148001	WELDMENT,O/R SWITCH COVER.....4	
5	6019	SCREW,HHC,3/8-16 X 1.25 GRD 5	
6	131972	FORMING,O/R HOSE COVER.....4	
7	29868	SPRING CLIP,3/8-16	
8A	148027	WELDMENT,OUTRIGGER YOKE....1 <i>steer end</i>	
8B	148044	WELDMENT,OUTRIGGER YOKE <i>non-steer end</i>	
9	64154	BOLT,CARRIAGE,3/8-16 X1.00,G5	
10	4828	NUT,NYLOCK,3/8-16	
11		Ref. CYLINDER,OUTRIGGER,GS69 <i>(refer to 705.1)</i>	
12	71912	BOLT,SHOULDER,5/8-11 X 1.19 LT	
13	38028	NUT,LP NYLOCK,5/8-11	
14	235089	HOUSING ASSY,OUTRIGGER,WO <i>(ANSI, CSA & Australia models with word decals)</i>	
--	148000	WELDMENT,OUTRIGGER COVER.....4 <i>(decals not included, refer to section 100)</i>	
--	235091	HOUSING ASSY,OUTRIGGER,SY <i>(Asia, S. America & CE models with symbol decals)</i>	
15	148024	FORMING,O/R LIM SWTCH BRACKET.....1	
16	6091	NUT,NYLOCK,1/4-20	
17	6878	BOLT,CARRIAGE,1/4-20 X .75,G2	
18	105692	SWITCH,LIMIT,W/ROLLER ARM.....1	
19	18605	NUT,NYLOCK,8-32	
20	54380	SCREW,PHILLIPS,PHM,8-32 X .875	
21	59568	RUBBER, VIBRATION MOUNT.....3	
22	218081	LEVEL,BUBBLE 3 DEGREE	
23	5224	SCREW,HHC,3/8-16 X 2	

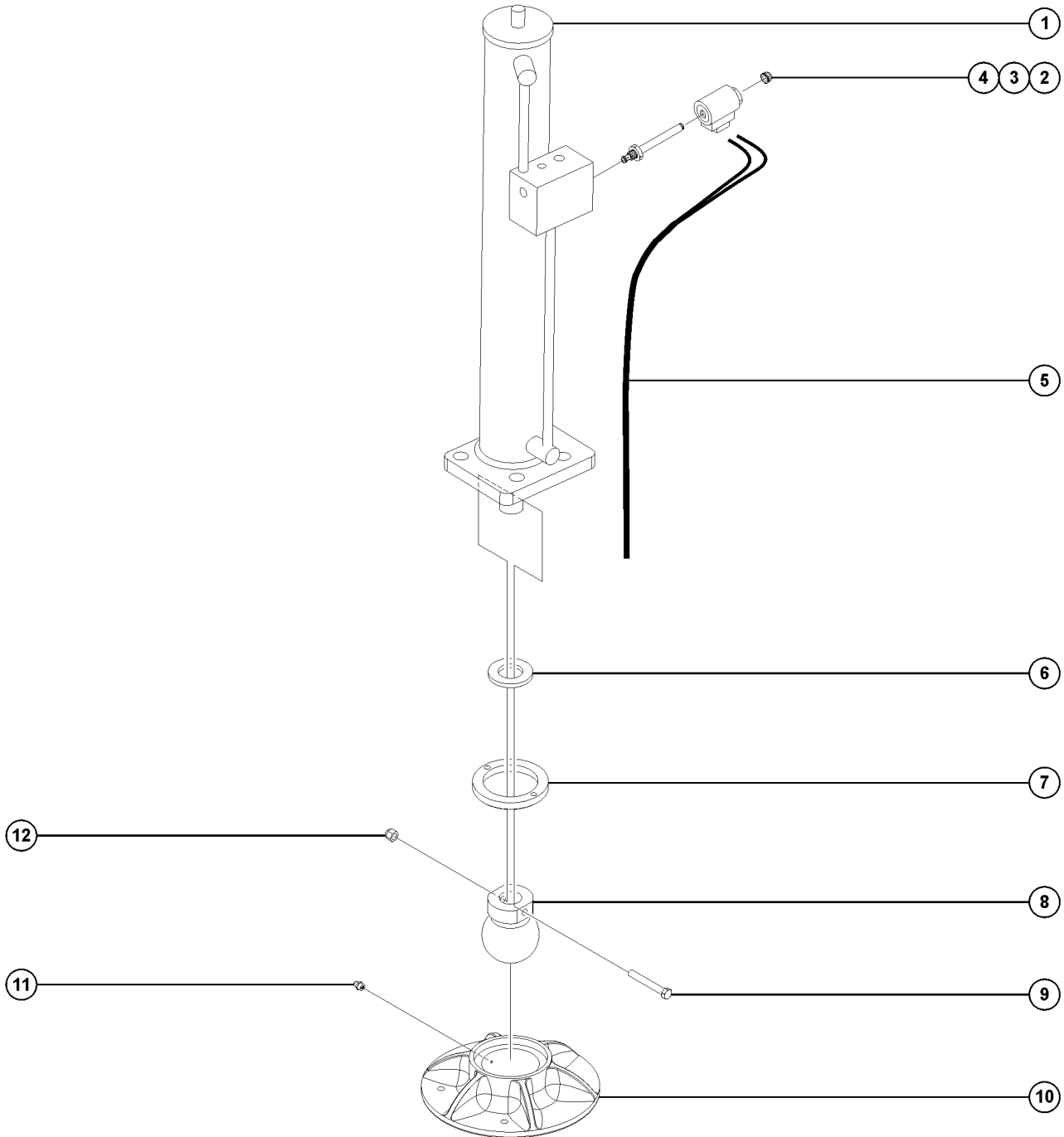
704.1 Outrigger Manifold



704.1 Outrigger Manifold

Item	Part No.	Description	Qty.
--		<i>Use the letter callouts to cross-reference with the Service Manual.</i>	
--	234999	MANIFOLD,OUTRIGGER,GS69DC <i>(manifold, complete)</i>	
1	84109	VALVE,DIR,#10 SAE,3 POS. 4 WAY.....1 <i>(BA, Outriggers in / out)</i>	
--	104763	COIL,24VDC #10DTSCH IP69 ECOIL	
--	44174	NUT-COIL SHORT	
--	44175	SPACER-DUAL COIL,#10, SCISSORS	
--	44230	SEAL KIT-P.N.44169,44172,44171	



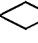
705.1 Outrigger Cylinders, All Models

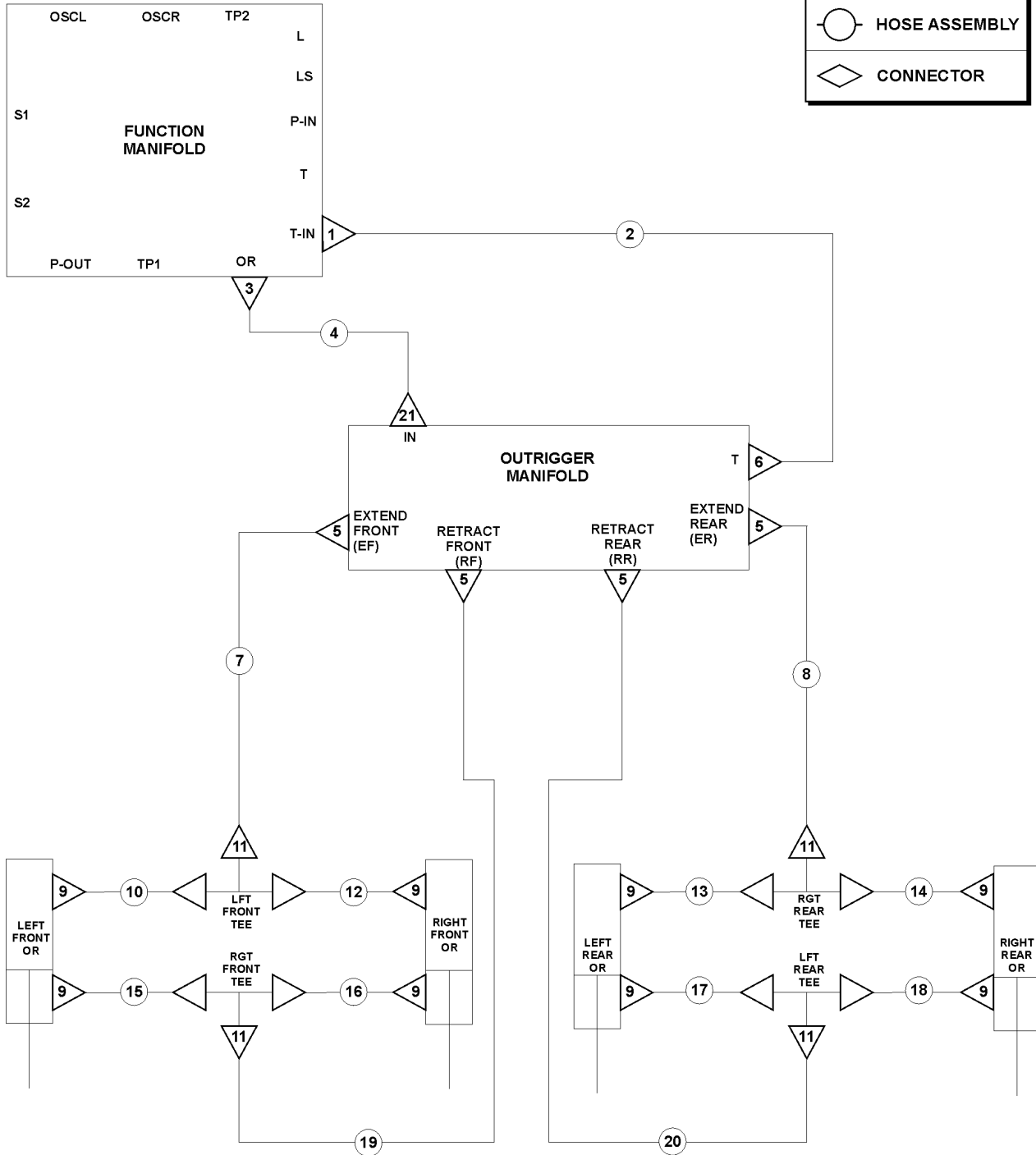


705.1 Outrigger Cylinders, All Models

Item	Part No.	Description	Qty.
--	112537	FOOTPAD ASSY,RTSC OUTRIGGER <i>(includes items 6, 7 & 9)</i>	
1	131428	CYLINDER,OUTRIGGER,GS69.....	1
--	226381	SEAL KIT,(131428) <i>(for 131428)</i>	
2	72097	NUT,SOLENOID VALVE,OUTRIGGERS.....	1
3A	79831	COIL, 12VDC,DIODE,DEUTSCH.....	1
3B	217978	COIL, 24VDC,DIODE,DEUTSCH	
4	67933	VALVE,NC,BI-DI,CART***	1
5		Ref. Outrigger Wire Harness <i>(refer to 309.1)</i>	
6	55682	PLATE, CYL UP LIMIT.....	1
7	55484	RETAINER, GS68 O/R FOOTPAD***	1
8	55485	CASTING, BALL, GS OUTRIGGER.....	1
9	14033	SCREW,HHC,3/8-16 X 2.75.....	1
10	51814	CASTING,OUTRIGGER FOOTPAD ***	1
11	28646	ZERK,GREASE,1/8 NPT.....	1
12	4828	NUT,NYLOCK,3/8-16.....	1

706.1 Hydraulic Hoses and Fittings, Outrigger

LEGEND	
	FITTING
	HOSE ASSEMBLY
	CONNECTOR

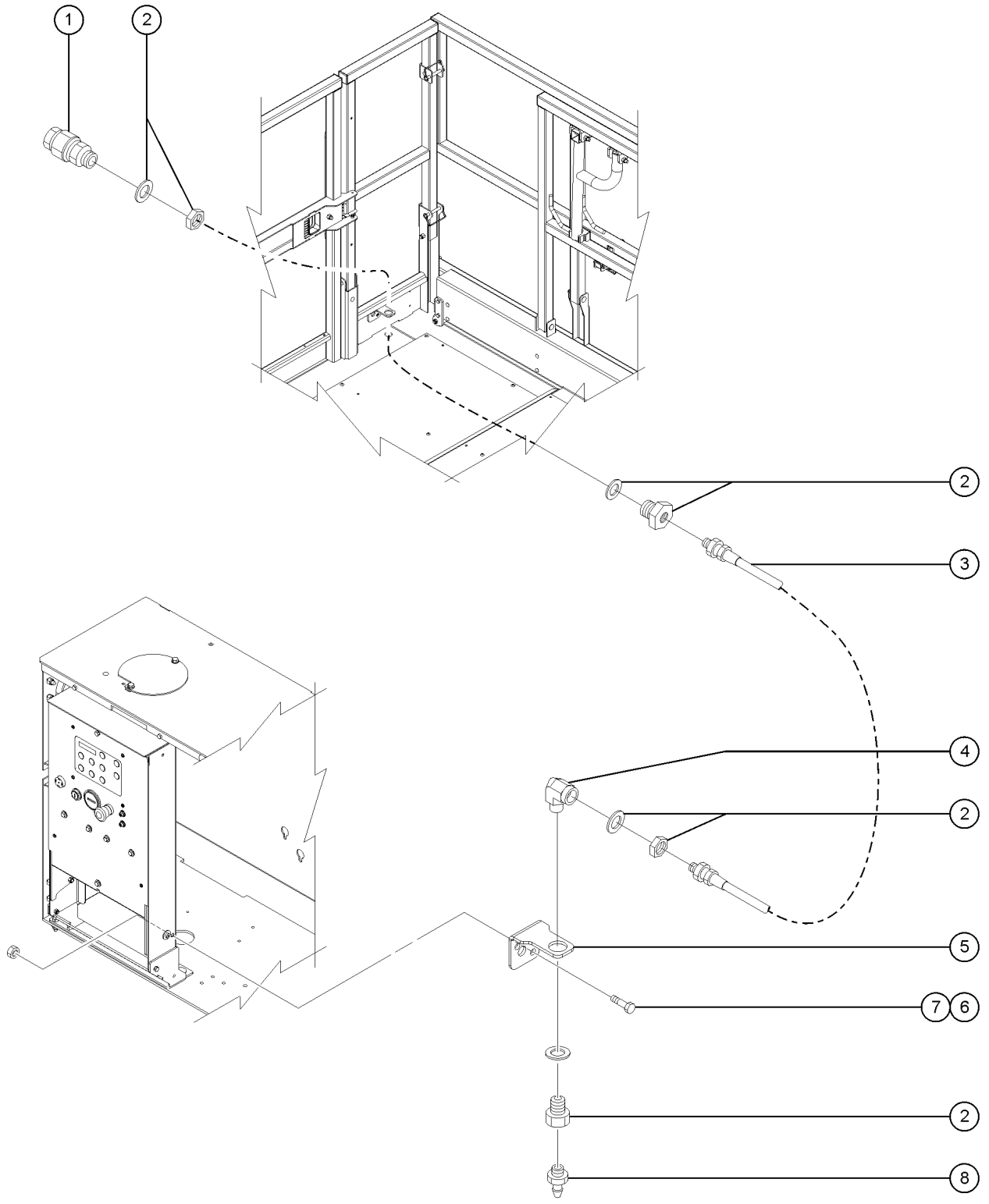


706.1 Hydraulic Hoses and Fittings, Outrigger

Item	Part No.	Description	Qty.	Item	Part No.	Description	Qty.
1	48948	CONN,520120-8-12.....	1	15	227730	HOSE ASSY,RF.OR.TEE-R(LF.OR.CY.....	1
2A	219139	HOSE,ASSY,T(OR.MF)-TIN(F.MF)... <i>(components: 48822, 48825, 48756 @ 20.5 inches) (from serial number 101 to 3514)</i>	1			<i>(components: 48800, 48800, 48751 @ 75 inches)</i>	
2B	1254069	HOSE,ASSY,T(OR.MF)-TIN(F.MF)... <i>(components: 2x 48822, 48756 @ 17.5 inches) (from serial number 3515)</i>	1	16	227740	HOSE ASSY,RF.OR.TEE-R(RF.OR.CY.....	1
3	48930	FITTING,CONN,520120-6-8***	1	17	227732	HOSE ASSY,RR.OR.TEE-R(LR.OR.CY.....	1
4A	227486	HOSE ASSY,OR(F.MF)-IN(OR.MF)..... <i>(components: 48812, 48815, 56776 @ 19 inches) (from serial number 101 to 3514)</i>	1	18	227742	HOSE ASSY,RR.OR.TEE-R(RR.OR.CY.....	1
4B	1254068	HOSE ASSY,OR(F.MF)-IN(OR.MF)..... <i>(components: 2x 48812, 56776 @ 17.5 inches) (from serial number 3515)</i>	1	19	227726	HOSE ASSY,FR(OR.MF)-RF.OR.TEE.....	1
5	48916	FITTING,CONN,520120-6.....	4	20	227735	HOSE ASSY,RR(OR.MF)-RR.OR.TEE.....	1
6A	48933	CONN,520120-8***	1			<i>(components: 48812, 227488, 56776 @ 98 inches)</i>	
6B	48932	FITTING,ELBOW,90D,520220-8.....	1			<i>(components: 48812, 227488, 56776 @ 98 inches)</i>	
7	227487	HOSE ASSY,EF(OR.MF)-LF.OR.TEE.....	1	21A	48916	FITTING,CONN,520120-6.....	1
8	227724	HOSE ASSY,ER(OR.MF)-LR.OR.TEE.....	1			<i>(from serial number 3515)</i>	
9	48905	CONN,520120-4***	8	21B	48915	ELBOW,90D,520220-6.....	1
10	227489	HOSE ASSY,LF.OR.TEE-E(LF.OR.CY.....	1			<i>(from serial number 101 to 3514)</i>	
11	48909	TEE,BULKHEAD,RUN,520958-4.....	4				
12	227490	HOSE ASSY,LF.OR.TEE-E(RF.OR.CY.....	1				
13	227738	HOSE ASSY,LR.OR.TEE-E(LR.OR.CY.....	1				
14	227728	HOSE ASSY,LR.OR.TEE-E(RR.OR.CY.....	1				

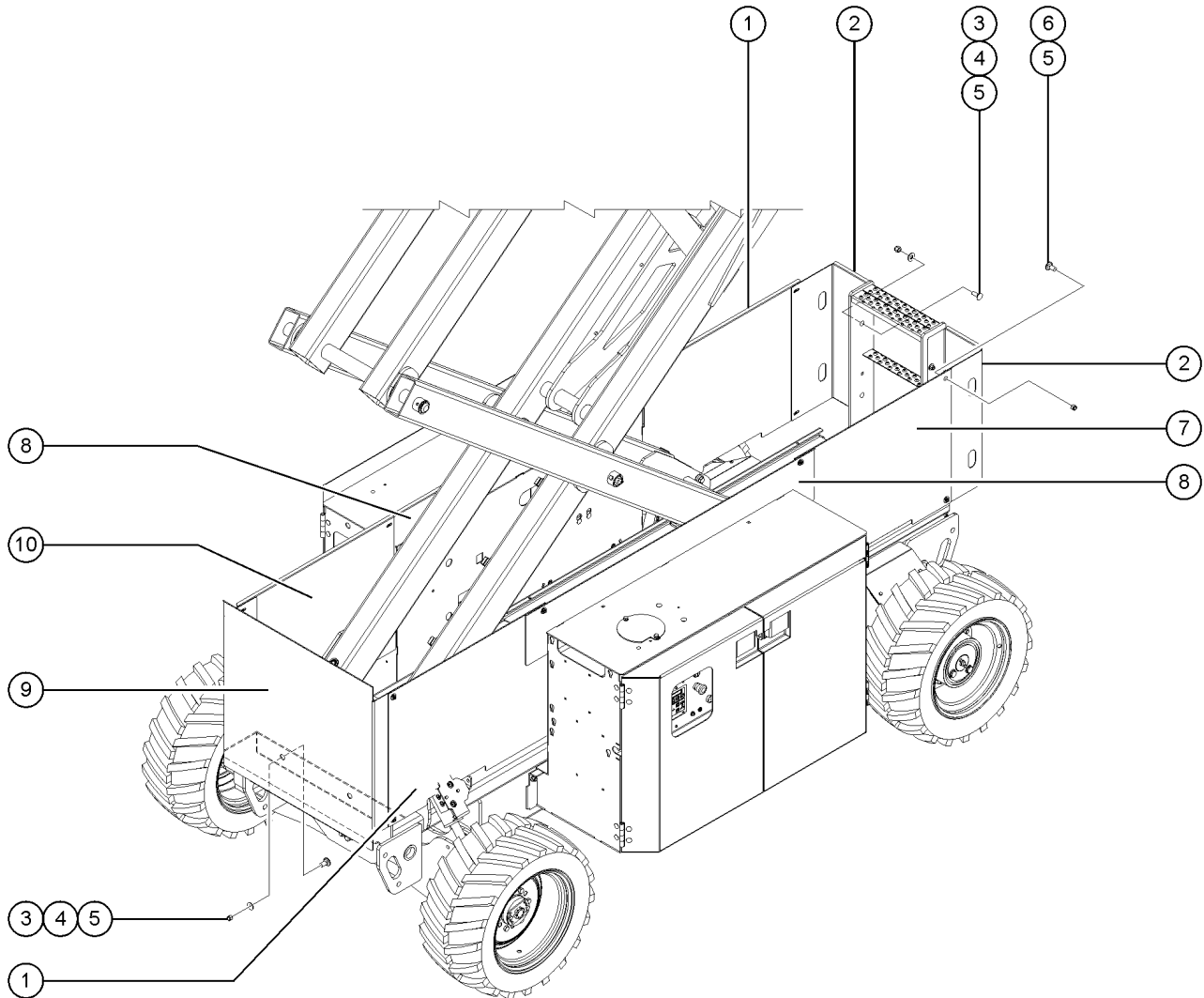


707.1 Air to Platform



Item	Part No.	Description	Qty.
1	27895	COUPLER,1/4"SERIES 3/8 MPT.....1	
2	27900	BULKHEAD,FEMALE X 6 X 6.....2	
3A	27903	HOSE,LOW PRESSURE,.375 ID,BLK.....918-inches GS4069 DC	
--	27901	HOSE END,BARBED,RIGID,-6-6.....2	
3B	27903	HOSE,LOW PRESSURE,.375 ID,BLK.....660-inches GS-3369 DC	
--	27901	HOSE END,BARBED,RIGID,-6-6.....2	
3C	27903	HOSE,LOW PRESSURE,.375 ID,BLK.....570-inches GS-2669 DC	
--	27901	HOSE END,BARBED,RIGID,-6-6.....2	
4	79383	BRASS STREET ELBOW.....1	
5	47077	BRACKET,AIRLINE MOUNTING.....2	
6	8255	SCREW,HHC,3/8-16 X .75	
7	4828	NUT,NYLOCK,3/8-16	
8	27894	PLUG,1/4"SERIES,3/8 MPT.....1	

708.1 Link Guard, CE and Australia



708.1 Link Guard, CE and Australia

Item	Part No.	Description	Qty.
1A	227768	FORMING, LINK GUARD, SIDE, 26/33.....2 <i>for GS-2669 DC & GS-3369 DC (ground controls side, front & battery pack side, rear)</i>	2
1B	T114354	FORMING, LINKGUARD, SIDE, 40.....2 <i>for GS-4069 DC (ground controls side, front & battery pack side, rear)</i>	2
2A	227713	FORMING, LINK GUARD, BACK, 26/33.....2 <i>for GS-2669 DC & GS-3369 DC</i>	2
2B	T114357	FORMING, LINKGUARD, END, 40.....2 <i>for GS-4069 DC</i>	2
3	105092	BOLT, CARRIAGE, 3/8-16X1.25, GR5	
4	6097	WASHER, FLAT, USS, 3/8", Y	
5	4828	NUT, NYLOCK, 3/8-16	
6	73466	BOLT, CARRIAGE, 3/8-16 X 1.00, G2	
7A	227716	FORMING, LINK GUARD, SIDE, 26/33.....1 <i>for GS-2669 DC & GS-3369 DC without oil cooler option (ground controls side, rear)</i>	1
7B	227714	FORMING, LNK GRD, SIDE, OPT, 26/33.....1 <i>for GS-2669 DC & GS-3369 DC with oil cooler option (ground controls side, rear)</i>	1
7C	T114353	FORMING, LINKGUARD, SIDE, 40.....1 <i>for GS-4069 DC without oil cooler option (ground controls side, rear)</i>	1
7D	227717	FORMING, LINK GUARD, SIDE, OPT, 40.....1 <i>for GS-4069 DC with oil cooler option (ground controls side, rear)</i>	1
8	T114358	FORMING, LINKGUARD, BOXTOP...2 <i>for GS-4069 DC</i>	2
9A	227715	FORMING, LINK GUARD, FRONT, 26/33.....1 <i>for GS-2669 DC & GS-3369 DC</i>	1
9B	T114356	FORMING, LINKGUARD, SIDE, 40.....1 <i>for GS-4069 DC</i>	1
10A	227716	FORMING, LINK GUARD, SIDE, 26/33.....1 <i>for GS-2669 DC & GS-3369 DC (battery pack side, front)</i>	1
10B	T114353	FORMING, LINKGUARD, SIDE, 40.....1 <i>for GS-4069 DC (battery pack side, front)</i>	1

Part Number Index

The Part Number Index is a numeric index of all part numbers included in this manual. The index shows what page(s) the part is used on.

Part Number	Page	Part Number	Page	Part Number	Page	Part Number	Page
-	59-60, 135	114386	13, 15, 17, 29, 31, 33, 45, 47, 49	128580	81	148086	89
101069	123	115402	125	128731	119	148087	89
101490	131	119432	77	13002	73	148090	89
101718	71, 75, 81	119910	60	13064	65	148091	89
10258	135	122994	81	131393	131	148092	89
104325	67	12344	77	131416	105	148226	83
104328	59-60, 67	124580	81	131428	141	148236	65, 91, 95, 99
104571	89	1253349	85	131602	59-60	148271	67
104762	123	1253422	85	131616	59-60	148277	67
104763	123, 139	1253423	85	131621	125	148291	83
104804	107	1253424	85	131639	65	148292	67
105092	73, 147	1253426	73	131640	65	148307	67
105117	75	1253428	77	131658	71	148317	91, 95, 99
105118	75	1253479	85	131687	93	148329	135
105214	91	1254068	143	131695	65	148353	59-60
105319	83	1254069	143	131735	109	148396	59-60
105556	133	1256655	119	131741	109	148400	63
105557	133	1256657	119	131742	109	148403	67
105692	69, 137	1256708	15, 17, 23, 25, 31, 33, 39, 41, 47, 49, 55, 57, 119	131743	109	148409	135
10598	91, 95, 99	1256710	15, 17, 23, 25, 31, 33, 39, 41, 47, 49, 55, 57, 119	131744	105	148410	135
106121	65	1256711	15, 17, 23, 25, 31, 33, 39, 41, 47, 49, 55, 57, 115-116	131745	105	148413	69
106122	65	1256721	81	131746	107	148414	89
106123	65	1256722	81	131747	107	148422	111
106445	65	1256725	119	131749	105, 109	148433	91, 93, 97
106508	65	1256726	119	131751	109	148434	91, 93, 97
10744	83	1256729	119	131755	65	148450	103
10775	113	1256730	119	131778	71	150026	77
10777	113	1256813	119	131780	83	160390	79
110556	59-60	1256814	119	131790	83	160536	73
110965	65	1257241	47	131800	73	160545	87
112070	91, 93, 97	1257396	15, 17, 31, 33, 49	131873	83, 85	160739	135
112072	93, 97	1257923	15, 17, 23, 25, 31, 33, 39, 41, 47, 49, 55, 57	131874	91	160740	135
112076	91, 93, 97, 101, 103	1258104	15, 17, 31, 33, 47, 49	131874	91	160744	135
112083	101	1258347	115-116	131899	91	160903	87
112099	91, 95, 99	1258348	115-116	131903	91	160904	87
112100	91, 95, 99	1258349	115-116	131920	127	160904	87
112106	99	1258352	115-116	131921	127	161213	89
112115	91, 95, 99	1258353	115-116	131926	83	161359	75, 87
112116	91, 95, 99	1258354	115-116	131928	83	161805	83
112121	91, 95, 99	1258355	115-116	131929	83	17626	77
112123	91, 93, 97	1258521	115-116	131972	137	18383	91, 93, 97
112124	91, 93, 97	1258522	115-116	133537	23, 25, 39, 41, 55, 57	18503	77
112125	97	1258628	65	13585	113	18540	65
112126	97	1258629	65	137522	115-116	18605	65, 69, 75, 81, 91, 95, 99, 137
112127	91	1258632	59-60	137562	81	19436	77
112134	93, 97, 103	1258633	59-60	137584	81	19440	59-60
112136	95, 99, 101	1258731	119	137587	89, 119	21149	65
112177	95, 99	1258753	65	137605	15, 17, 23, 25, 31, 33, 39, 41, 47, 49, 55, 57, 115-116, 119	214212	67
112195	91, 93, 97	1258754	65	137611	89, 116, 119	214222	73
112210	95, 99	1258755	65	137634	121	214253	115-116
112229	91	1258760	59-60	137637	81, 115-116, 119	214254	115-116
112350	91, 95, 99	128009	73	137640	116, 119	214542	81
112375	91, 95, 99	128085	125	137655	81	214544	121
112476	65, 105, 107, 109	128142	125	137656	15, 17, 23, 25, 31, 33, 39, 41, 47, 49, 55, 57, 115-116, 119	215213	73
112512	65	128200	81	137668	81	215214	131
112537	141	128375	75	137699	116, 119	215215	131
112543	107	128376	75	137711	115-116	215229	71
112572	65	128377	75	13918	63	215330	75
112589	65, 91, 93, 97, 99	128578	81	14033	91, 93, 97, 141	215488	77
112703	101, 103			14041	77	215914	83
112708	91, 93, 97, 101, 103			14392	60, 85	215915	83
112772	113			144161	75, 113	216005	77
114202	11, 13, 19, 21, 27, 29, 35, 37, 43, 45, 51, 53			148000	137	216027	15, 17, 31, 33, 47, 49
114334	21, 37, 53			148001	137	216031	23, 25, 39, 41, 55, 57
114337	19, 35, 51			148024	137	216826	11
114338	23, 25, 39, 41, 55, 57			148027	137	216827	11
114371	23, 25, 39, 41, 55, 57			148044	137	216828	27
114385	11, 13, 27, 29, 43, 45			148046	135	216829	27
				148076	89, 133	216830	43
						216831	43
						216832	19
						216833	35
						216834	51

Part Number Index (continued)

Part Number	Page	Part Number	Page	Part Number	Page	Part Number	Page
216874	11	227730	143	235464	116, 119	238368	87
216875	11	227732	143	235497	79	238369	87
216876	27	227735	143	235498	79	238370	87
216877	27	227738	143	235662	59-60	238371	87
216878	43	227740	143	235663	60	238372	87
216879	43	227742	143	235693	77	238373	87
216880	19	227768	147	235696	77	238374	87
216881	35	22788	67, 91, 95, 99	235697	77	238375	87
216882	51	228103	97	235719	75	238382	73
216883	19	228947	75	236018	77	238383	73, 75
216884	19	228973	75	236019	77	238384	79
216885	35	229086	121	236021	73	238385	79
216886	35	229087	121	236066	89	24514	109
216887	51	229088	121	236067	89	25284	59-60, 63, 65
216888	51	229089	121	236068	89	25388	75, 113
217978	141	229090	121	236360	15, 17, 23, 25,	25817	59-60, 125
217991	115-116	229091	121		31, 33, 39, 41,	27246	81
217992	81	229092	121		47, 49, 55, 57,	27894	145
218050	115-116	229093	121		115-116	27895	145
218081	137	229094	121	236415	13, 21, 29, 37,	27900	145
218091	81	229097	121		45, 53	27901	145
218245	89	229167	59-60	236429	77	27903	145
218616	123	229642	77	236802	75	28174	11, 13, 15, 17,
218617	123	229827	11, 13, 27, 29,	236813	59-60		19, 23, 25, 29,
218730	123		43, 45	237116	15, 17, 31, 33,		31, 33, 37, 39,
218731	123	229828	19, 21, 35, 37,		47, 49		41, 45, 47, 49,
218732	123		51, 53	237117	11, 27, 43		53, 55, 57
218733	123	229845	116, 119	237118	11, 27, 43	28175	11, 13, 27, 29,
218734	123	230485	73	237119	15		43, 45
218735	123	230488	73	237120	31	28176	15, 17, 31, 33,
219058	75	230489	25	237121	47		47, 49
219112	85	230490	41	237122	15, 17, 23, 25	28235	11, 13, 15, 17,
219139	143	230491	57	237123	31, 33, 39, 41		19, 23, 25, 29,
219205	115-116	230492	23	237124	11, 13, 19, 21		31, 33, 37, 39,
219206	59-60	230493	39	237125	27, 29, 35, 37		41, 45, 47, 49,
219210	109	230494	55	237126	43, 45, 51, 53		53, 55, 57
219279	60	230804	11, 13, 27, 29,	237127	15, 17, 23, 25,	28236	15, 17, 31, 33,
219356	59-60		43, 45		31, 33, 39, 41,		47, 49
219903	59-60	230807	57		47, 49, 55, 57,	28373	11, 13, 27, 29,
219973	89	230809	23		115-116		43, 45
220153	69	230810	39	237130	11, 13, 27, 29,	28443	91
220237	69	230811	55		43, 45	28646	141
22446	107	230850	71	237131	15, 31, 47	29868	69, 83, 85, 109,
226378	127	230858	127	237132	13, 29, 45		137
226379	127	230861	123	237134	11, 27	30418	91, 95, 99
226380	125	231650	59-60	237135	17, 33, 49	30434	91, 95, 99
226381	141	232523	65	237254	59-60	31060	11, 27, 43
22699	73	232536	67	237340	59-60, 65	31506	71
227466	131	232537	67	237431	79	31508	13, 29, 45
227467	131	232549	71	237432	79	31658	71
227468	131	232852	60	237476	89	31788	11, 27, 43
227469	131	232853	60	237613	115-116	33550	109
227471	131	233767	59-60	237615	115-116	33629	113
227472	131	234599	123	237616	81	33724	113
227473	131	234600	123	237618	81	33987	65
227474	131	234830	89	237773	59-60	34053	81
227478	129	234831	89	237797	123, 131	35461	69, 91, 95, 99
227479	129	234832	89	237920	17	35706	109
227486	143	234833	89	237921	33	36372	77
227487	143	234834	89	237922	49	37947	81
227489	143	234837	89	237923	11, 27	38016	109
227490	143	234999	139	237924	19, 35, 51	38020	81
227609	131	235089	137	237925	19, 35	38028	105, 137
227610	131	235091	137	237926	11, 13, 19, 21,	38149	13, 29, 45
227611	131	235122	99		27, 29, 35, 37,	39540	81, 115-116, 119
227612	131	235163	47, 49, 55, 57		43, 45, 51, 53	39875	131
227613	131	235375	59-60	237927	15, 17, 31, 33,	39882	125, 131
227614	129	235377	65		47, 49	40434	15, 17, 23, 25,
227713	147	235380	81	237931	131		31, 33, 39, 41,
227714	147	235381	81	237932	131		47, 49, 55, 57
227715	147	235382	81	238256	131	40928	93, 97
227716	147	235383	81	238299	59-60	4266	59-60, 97, 99,
227717	147	235397	71	238364	87		107
227724	143	235398	89	238365	87	43392	83, 85
227726	143	235399	89	238366	87		
227728	143	235463	121	238367	87		



Part Number Index (continued)

Part Number	Page	Part Number	Page	Part Number	Page	Part Number	Page
43618	15, 17, 23, 25, 31, 33, 39, 41, 47, 49, 55, 57	52494	15, 17, 31, 33, 47, 49	6638	59-60, 71, 77, 83, 105, 107, 109, 135	82475	19, 21, 35, 37, 51, 53
43658	21, 37, 53	52865	13, 29, 45	66397	77	82476	19, 21, 35, 37, 51, 53
43956	113	52907	123	6666	75, 113	82481	19, 35, 51
44174	139	53452	59-60	66683	127	82487	21, 23, 25, 37, 39, 41, 53, 55, 57
44175	139	53500	125	66717	77	8255	59-60, 65, 73, 145
44227	127	5365	65, 77	66812	81, 115-116, 119	82557	15, 17, 31, 33, 47, 49
44230	139	5397	73	66817	115-116, 119	82558	13, 29, 45
44255	11, 13, 27, 29, 43, 45	54380	137	66818	81, 115-116, 119	82560	21, 37, 53
44736	15, 17, 31, 33, 47, 49	54436	65	66821	81	82561	11, 13, 27, 29, 43, 45
44973	127	54627	59-60, 65	66842	81	82562	19, 21, 35, 37, 51, 53
44980	21, 37, 53	54958	59-60	6700	81	82666	19, 21, 35, 37, 51, 53
44981	13, 15, 17, 21, 23, 25, 29, 31, 33, 37, 39, 41, 45, 47, 49, 53, 55, 57	54959	59-60	6708	107, 109	83020	131
45112	59-60	54960	59-60	67387	63	83092	65
45113	59-60	54961	59-60	67504	87	83093	81
45114	59-60	54962	59-60	67505	87	83131	81
45384	83, 85	55484	141	6782	73, 83, 109	84109	139
45437	113	55485	141	67933	141	84421	127
45470	79, 113	55517	81, 83, 85, 109	6873	77	84422	127
45645	81	55559	127	6878	73, 75, 77, 85, 107, 133, 137	84423	127
45748	59-60	55587	79	6886	65	8516	67
47077	145	55675	85	6889	73, 75, 77, 79, 107, 109, 111	87002	137
47230	105, 109	55682	141	69853	116, 119	87172	131
47238	135	55906	75	7056	113	87193	113
47478	105, 109	55921	73	70684	77	87265	133
47793	107	56302	81	71202	73	87312	79
4828	63, 65, 67, 69, 71, 73, 75, 79, 81, 83, 85, 91, 93, 95, 97, 99, 103, 105, 107, 109, 111, 137, 141, 145, 147	56462	79	7127	113	87320	107
48425	109	56912	59-60, 65, 67, 135	71315	105, 109	87523	105
48878	131	58222	73	71376	105	87568	105
48905	125, 131, 143	58223	73	71484	71	87570	109
48909	131, 143	58320	65	71508	69, 71	87571	109
48911	59-60	59568	137	71874	65, 77	87645	109
48912	131	6019	83, 85, 137	71912	137	87675	109
48915	131, 143	6021	73, 83, 85	72086	11, 13, 19, 21, 27, 29, 35, 37, 43, 45, 51, 53	87684	65, 73
48916	127, 129, 131, 143	60334	73	72097	141	89065	59-60
48930	143	60424	77	72186	11, 13, 27, 29, 43, 45	89066	59-60
48932	143	60438	77	72326	115-116, 119	8914	79, 111
48933	131, 143	60746	59-60	72970	13, 29, 45	8915	59-60, 77
48946	131	60790	67	72998	13, 29, 45	94499	123, 131
48947	131	60857	73	7339	63	96008-S	81
48948	143	6086	67, 79	73464	65	96010	81
48959	131	6090	59-60, 65, 67, 71, 79, 109, 113	73466	65, 147	96203	73, 79, 91, 95, 99
48960	131	6091	59-60, 65, 71, 73, 75, 77, 79, 81, 83, 85, 91, 93, 97, 99, 105, 109, 113, 133, 137	73730	81	96236	113
48984	131	6095	67, 91, 95, 99	74267	77	96320	65
48997	131	6096	67, 91, 95, 99, 135	74389	59-60	96452	81
49517	131	6097	63, 67, 71, 73, 79, 95, 99, 103, 111, 147	74651	77	96905	91, 93, 97
49775	60	6145	77	74714	65	96977	67, 91, 95, 99, 101, 103
49816	133, 137	6175	79, 105, 109	75041	81	97130	127
49818	77	6178	77, 81, 133, 135, 137	76494	79	97172	123
49819	81	6198	67, 73, 79, 91, 95, 99, 101	7713	65, 69, 71, 109	97719	13, 21, 29, 37, 45, 53
49820	77, 81	6326	91, 93, 97, 111	78674	71	99267	109
49821	69, 91, 95, 99	64154	69, 71, 73, 75, 83, 85, 91, 93, 97, 137	78736	65, 91, 93, 97, 99	99268	109
49857	59-60, 69	65737	75, 113	79090	109	99346	69, 71, 77
50793	65	6595	113	79355	105, 107, 109	REF.	113
51428	135	66030	105, 107, 109	79374	133	Ref.	75
51474	65	66094	77	79383	145	T106366	81
51814	141	6626	113	79469	79	T106370	116, 119
5224	137	66353	113	79831	141	T106371	81
52475	11, 13, 19, 21, 27, 29, 35, 37, 43, 45, 51, 53	66355	113	81329	85	T106372	81
		66356	113	81579	69	T106373	115-116, 119
		6637	59-60, 105, 135	8177	91, 95, 99	T106782	71
				82160	13, 29, 45	T107936	65
				82161	13, 29, 45	T107969	65
				82366	13, 29, 45	T107978	65
				82473	19, 21, 35, 37, 51, 53	T108039	111
				82474	19, 21, 35, 37, 51, 53	T108074	111
						T108137	91, 93, 97



Part Number	Page
T108138	91, 93, 97
T108139	91, 93, 97
T109734	91, 93, 99
T109739	65
T109744	65
T109745	65
T112560	113
T112563	113
T114353	147
T114354	147
T114356	147
T114357	147
T114358	147
T114397	116, 119
T114634	89
T114638	15, 17
T114639	31, 33
T114640	47, 49
T114860	67
T115515	67

Part Description Index

The Part Description Index is an alphabetical index of all part descriptions included in this manual. The index shows what page(s) the part is used on.

A

ACCUMULATOR,10CC,1000PSI,#6SAE...123, 131
 ADAPTER, RJ45, GC27-25/GC21-19.....81
 ALARM,STEADY TONE***.....81, 115-116, 119
 ASSEMBLY, STEER YOKE, LFT.....59-60
 ASSEMBLY, STEER YOKE, RT.....59-60
 ASSY, COIL CORD, GR/GRC/GS.....89, 116, 119
 ASSY, HI FLOAT TIRE/WHEEL REAR.....65
 ASSY,DC REAR AXLE.....65
 ASSY,LINK MOUNT, TOP,GS69.....103
 ASSY,LINK,INNER #1.....91, 93, 97
 ASSY,LINK,INNER #2.....91, 93, 97
 ASSY,LINK,INNER #3, 2669.....91
 ASSY,LINK,INNER #3, 3369.....93
 ASSY,LINK,INNER #3, 4069.....97
 ASSY,LINK,INNER #4, 4069.....97
 ASSY,LINK,INR #4-3369,#5-4069...93, 97, 103
 ASSY,RELAY SOCKET, AUTO.....81
 ASSY,STEER SENSOR, GS69DC.....59-60

B

BASE WITH 1 NC CONTACT, E-STOP.....115-116, 119
 BASE,WITHOUT CONTACTS.....81
 BATT,6V,225AH T105 LPT3CAP.....79
 BATTERY, J 305GH, 315AH.....79
 BATTERY,EQUALIZER,48V-24V,3WIR.....77
 BEACON LIGHT ASSY.....133
 BEARING KIT-74097 TORQUE HUB**.....65
 BEARING,1.00IDX1.25ODX0.75L.....65
 BEARING,1.00IDX1.25ODX1.00L.....59-60, 125
 BEARING,1.00IDX1.50ODX1.00L.....59-60
 BEARING,1.25IDX1.50ODX0.88L.....91, 95, 99
 BEARING,1.50IDX1.75ODX2.00L.....91, 93, 97
 BEARING,BRZ,FL,1.25X1.50X1.1.....59-60
 BEARING,FL,1.25IDX1.50ODX.44LG.....91, 95, 99
 BEARING,INNER,9 BOLT HUB***.....59-60
 BEARING,OUTER,9 BOLT HUB***.....59-60
 BOLT,CARRIAGE,#10-24X.50,G2.....65, 77
 BOLT,CARRIAGE,1/2-13X1.50,GR5.....67, 91, 95, 99, 101, 103
 BOLT,CARRIAGE,1/2-13X1.75, G5.....73, 79, 91, 95, 99
 BOLT,CARRIAGE,1/2-13X15.....79
 BOLT,CARRIAGE,1/4-20 X .63,G2.....109
 BOLT,CARRIAGE,1/4-20 X .75,G2.....73, 75, 77, 85, 107, 133, 137
 BOLT,CARRIAGE,1/4-20 X 1.75,G2.....65
 BOLT,CARRIAGE,1/4-20 X 2.5,G2.....91, 93, 97
 BOLT,CARRIAGE,1/4X.75,G5.....81
 BOLT,CARRIAGE,3/8-16 X .75,G2.....71, 75, 81
 BOLT,CARRIAGE,3/8-16 X 1.00,G2.....65, 147
 BOLT,CARRIAGE,3/8-16 X 1.00,G5.....69, 71, 73, 75, 83, 85, 91, 93, 97, 137
 BOLT,CARRIAGE,3/8-16 X 1.50,G5.....67
 BOLT,CARRIAGE,3/8-16X1.25,GR5.....73, 147
 BOLT,CARRIAGE,3/8-16X1.75.....65
 BOLT,CARRIAGE,3/8-16X2.75,G5.....65, 105, 107, 109
 BOLT,ROLLER, .470"(SHORT).....109

BOLT,SHLDR,3/8X1.25,5/16-18S/S.....83
 BOLT,SHLDR,5/16X1/4X1/14-20S/S.....83
 BOLT,SHOULDER,5/8-11 X 1.19 LT.....137
 BOOT, 2 SWITCH, SILICON.....121
 BOOT,TOGGLE SWITCH,SHORT*.....81
 BOX,INSTRUCTION STORAGE.....109
 BRACKET,AIRLINE MOUNTING.....145
 BRASS STREET ELBOW.....145
 BRG,FL,1.5ID X 1.75OD X .5 LG.....91, 95, 99
 BULB,FLASHING BEACON.....133
 BULKHEAD,FEMALE X 6 X 6.....145
 BUMPER, 1.00 X .375 X 5/16.....109
 BUMPER, MODULE TRAY.....107
 BUMPER,BATTERY BOX & RAILS.....83, 85
 BUMPER,LINKS,GS69.....91, 93, 99
 BUMPER,RUBBER.....105, 109
 BUMPER,RUBBER,1"OD X .461 H.....105, 109
 BUSHING, STRAIN RELIEF, 1".....59-60
 BUTTON,PUSH,RED MUSHROOM HEAD.....81, 115-116, 119

C

CABLE ASSY, ANDERSON TO GRND L.....87
 CABLE ASSY, B+ TO AN. PLG,J305.....87
 CABLE ASSY, B+ TO ANDERSON PLU.....87
 CABLE ASSY, B- TO AN. PLG,J305.....87
 CABLE ASSY, B- TO ANDERSON PLU.....87
 CABLE ASSY, BATTERY CHARGER.....75, 87
 CABLE ASSY, BATTERY JMPR LONG.....87
 CABLE ASSY, BATTERY JUMPERS.....87
 CABLE ASSY, CONTA FUSE TO CONT.....87
 CABLE ASSY, CONTA TO PUMP MOTO.....87
 CABLE ASSY, CONTR A B+ TO CONT.....87
 CABLE ASSY, CONTR A B- TO CONT.....87
 CABLE ASSY, CONTR A P- TO PUMP.....87
 CABLE ASSY, GRND LUG TO CONTR.....87
 CABLE ASSY, PUMP MT+ TO CONTR.....87
 CABLE ASSY, ANDERSON TO CONTA.....87
 CABLE TIE MOUNT, WINGED.....91
 CABLE TIE,11.5" BLACK.....91
 CABLE TIE,BUTTON,BLACK,10.00LG.....93, 97
 CABLE,CNTRL,LINKS,GS2669DC.....89
 CABLE,CNTRL,LINKS,GS3369DC.....89
 CABLE,CNTRL,LINKS,GS4069DC.....89
 CABLE,CONTROL,EXTEND,GS69DC.....89
 CABLE,DOWN COILS,GS3369.....89
 CABLE,DOWN COILS,GS4069.....89
 CABLE,PRESSURE SWITCH, 6S.....89
 CAP,BUTTON,K12.....115-116, 119
 CAP,DISENGAGE,4HP/4HB***.....65
 CAP,DUST (54840 HUB ASSY).....59-60
 CAP,HYDRAULIC TANK,GS68/84/90.....71
 CAP,SERIES 1 CB VALVE,SINGLE**.....125
 CASTING, BALL, GS OUTRIGGER.....141
 CASTING,CW,MID,4069.....67
 CASTING,CW,REAR,4069.....67
 CASTING,OUTRIGGER FOOTPAD ***.....141
 CHARGER 48V/30A AUTO AC X-LED.....75
 CIRCUIT BREAKER, 15 AMP.....81
 CIRCUIT BREAKER,7.0 AMP***.....81
 CLAMP,#4 HOSE,CLAMP.....135
 CLAMP,0.31,#5 X 1/4,RUB CUSH.....79, 113
 CLAMP,2 HOSE,PLASTIC,5/8.....65, 91, 93, 97, 99
 CLAMP,HOSE,2X#4,GS69.....59-60

CLAMP,HOSE,FRONT,2X#4,#6.....65
 CLAMP,HOSE,FRONT,3X#4.....65
 CLIP, METAL MOUNTING.....69, 71, 77
 CLIP,RETAINING,IES CHARGER.....75
 COIL CORD CLIP.....105
 COIL, 12VDC,DIODE,DEUTSCH.....141
 COIL, 24VDC,DIODE,DEUTSCH.....141
 COIL,24VDC #10DTSCH IP69 ECOIL.....123, 139
 COIL,24VDC #8DTSCH IP69 ECOIL.....123
 COIL-SOLENOID VALVE,20V DC***.....127
 CONN,520120-16.....131
 CONN,520120-4***.....125, 131, 143
 CONN,520120-4-6***.....131
 CONN,520120-8***.....131, 143
 CONN,520120-8-10.....131
 CONN,520120-8-12.....143
 CONN,BLANK,L MTR CTRL,GS69DC.....73
 CONN,PLUG 2 WAY,14-18GA.....77
 CONN,RECEP 12 WAY,GRY FLANGE.....81
 CONN,RECEP 2 WAY,14-18GA.....77
 CONN,SQUEEZE,1/2NPT .38-50,SM.....113
 CONNECTOR,ANDERSON SB 175***.....77
 CONTACT,NC.....81, 115-116, 119
 CONTACTOR,DRIVE,24V,180A***.....77
 CORD AC IEC320-C19 TO 110US.....75
 CORD EURO AC IEC320-C19PIGTAIL.....75
 COUPLER,090136, 4-6.....131
 COUPLER,1/4"SERIES 3/8 MPT.....145
 COVER, RJ45, GC27-25/GC21-19.....81
 COVER,BLANK.....113
 COVER,GFCI,WEATHERPROOF.....113
 COVER,REAR AXLE.....65
 CYLINDER, LIFT, LOWER, GS69.....127
 CYLINDER,LIFT,UPPER,4069.....127
 CYLINDER,OSCILATING,GS69.....125
 CYLINDER,OUTRIGGER,GS69.....141
 CYLINDER,STEER***.....59-60

D

DECAL COSMETIC,GS4069DC.....47, 49, 55, 57
 DECAL KIT,2669DC COMP,SYM,ANSI.....19
 DECAL KIT,2669DC COMP,SYM,CE.....19
 DECAL KIT,2669DC COMP,WRD,ANSI.....11
 DECAL KIT,2669DC COMP,WRD,AUS.....11
 DECAL KIT,2669DC PLAT,SYM,ANSI.....19
 DECAL KIT,2669DC PLAT,SYM,CE.....19
 DECAL KIT,2669DC PLAT,WRDS,ANSI.....11
 DECAL KIT,2669DC PLAT,WRDS,AUS.....11
 DECAL KIT,3369DC COMP,SYM,ANSI.....35
 DECAL KIT,3369DC COMP,SYM,CE.....35
 DECAL KIT,3369DC COMP,WRD,ANSI.....27
 DECAL KIT,3369DC COMP,WRD,AUS.....27
 DECAL KIT,3369DC PLAT,SYM,ANSI.....35
 DECAL KIT,3369DC PLAT,SYM,CE.....35
 DECAL KIT,3369DC PLAT,WRDS,ANSI.....27
 DECAL KIT,3369DC PLAT,WRDS,AUS.....27
 DECAL KIT,4069DC COMP,SYM,ANSI.....51
 DECAL KIT,4069DC COMP,SYM,CE.....51
 DECAL KIT,4069DC COMP,WRD,ANSI.....43
 DECAL KIT,4069DC COMP,WRD,AUS.....43
 DECAL KIT,4069DC PLAT,SYM,ANSI.....51
 DECAL KIT,4069DC PLAT,SYM,CE.....51
 DECAL KIT,4069DC PLAT,WRD,ANSI.....43
 DECAL KIT,4069DC PLAT,WRD,AUS.....43

- DECAL, GROUND CONTROL PANEL, G...13, 21, 29, 37, 45, 53
- DECAL, LABEL, SAFETY ARM SYMB.....13, 21, 29, 37, 45, 53
- DECAL, O/R, PROP LIFT, 69DC, U.....15, 17, 23, 25, 31, 33, 39, 41, 47, 49, 55, 57, 115-116
- DECAL, SMARTLINK PROPORTIONAL.....15, 17, 23, 25, 31, 33, 39, 41, 47, 49, 55, 57
- DECAL, STD, PROP LIFT, 69DC, U.....15, 17, 23, 25, 31, 33, 39, 41, 47, 49, 55, 57, 115-116
- DECAL, UI, GS69DC,PCON.....15, 17, 23, 25, 31, 33, 39, 41, 47, 49, 55, 57, 115-116
- DECAL,ANNUAL INSP***13, 29, 45
- DECAL,BATT CONN DIAGRAM,J305.....11, 27, 43
- DECAL,BATT CONN DIAGRAM,T105.....11, 27
- DECAL,CAUTION,CRUSH HAZ, RAILS.....15, 17, 31, 33, 47, 49
- DECAL,CHEVRON RANDO HD.....13, 29, 45
- DECAL,COMPARTMENT ACCESS.....11, 13, 27, 29, 43, 45
- DECAL,COSMETIC GENIE GS-2669DC.....15, 17, 23
- DECAL,COSMETIC GENIE GS-3369DC.....31, 33, 39, 41
- DECAL,COSMETIC,GENIE GS-2669DC.....25
- DECAL,CRUSH HAZ RAILS SYMB.....23, 25, 39, 41, 55, 57
- DECAL,DANGER DO NOT ALTER SWTC.....11, 27, 43
- DECAL,DANGER,BATTERY SAFETY***.....11, 27, 43
- DECAL,DANGER,CRUSHING HAZARD.....11, 13, 27, 29, 43, 45
- DECAL,DANGER,ELEC HAZARD,GS.....11, 13, 27, 29, 43, 45
- DECAL, D A N G E R , E L E C T HAZARD,PLUG.....13, 29, 45
- DECAL,DANGER,MAN FRC, GS4069.....57
- DECAL,DANGER,OUTRIGGER SAFETY...15, 17, 31, 33, 47, 49
- DECAL,DANGER,RUNAWAY HAZ, SYM....25, 55, 57
- DECAL,DANGER,SIDE FRC,GS2669.....23
- DECAL,DANGER,SIDE FRC,GS3369.....39
- DECAL,DANGER,SIDE FRC,GS4069.....55
- DECAL,DANGER,TIP-OVER,TILT.....15, 17, 31, 33, 47, 49
- DECAL,DANGER-GEN SAFETY.....13, 15, 17, 29, 31, 33, 45, 47, 49
- DECAL, D A N G E R - R U N A W A Y HAZARD,SLOPE....15, 17, 23, 31, 33, 39, 41, 47, 49
- DECAL,DANGER-TIP-OVR,BATT,J305.....11, 27, 43
- DECAL,DANGER-TIP-OVR,BATT,T105.....11, 27
- DECAL,DANGER-USE SAFETY ARM.....11, 13, 27, 29, 43, 45
- DECAL,DNGR-TIP-OVR,BATT,J305CE.....19, 35, 51
- DECAL,DNGR-TIP-OVR,BATT,T105CE.....19, 35
- DECAL,E-STOP,GR/GRC/GS PCON....15, 17, 23, 25, 31, 33, 39, 41, 47, 49, 55, 57, 115-116, 119
- DECAL,FORK LIFT POCKET....11, 13, 27, 29, 43, 45
- DECAL,GRND OPS INSTRUCT,GS69DC...13, 29, 45
- DECAL,INSTRUCTIONS-CHARGER OP....13, 29, 45
- DECAL,LABEL,AIRLINE 110 PSI....13, 15, 17, 21, 23, 25, 29, 31, 33, 37, 39, 41, 45, 47, 49, 53, 55, 57
- DECAL,LABEL,FAULT CODES,69DC.....15, 17, 31, 33, 47, 49
- DECAL,LABEL,FORKLIFT POCKET....19, 21, 35, 37, 51, 53
- DECAL,LABEL,HOT,SYMBOL.....19, 21, 35, 37, 51, 53
- DECAL,LABEL,LIFTING EYE....11, 13, 19, 21, 27, 29, 35, 37, 43, 45, 51, 53
- DECAL,LABEL,MANUAL NOT HERE...15, 17, 31, 33, 47, 49
- DECAL,LABEL,OUTRIGGER LD....11, 13, 19, 21, 27, 29, 35, 37, 43, 45, 51, 53
- DECAL,LABEL,PATENTS.....13, 29, 45
- DECAL,LABEL,PETRO CANADA***.....13, 29, 45
- DECAL,LABEL,PLAT CONT LOCATION.....15, 17, 31, 33, 47, 49
- DECAL,LABEL,PWR TO CHARGR 115V....21, 37, 53
- DECAL,LABEL,PWR TO CHARGR 230V....21, 37, 53
- DECAL,LABEL,QUINTOLUBRIK.....13, 29, 45
- DECAL,LABEL,STATOIL HYDRA WAY.....13, 29, 45
- DECAL,LABEL,TRANSPORT TIE 68....11, 13, 19, 21, 27, 29, 35, 37, 43, 45, 51, 53
- DECAL,LABEL,TRANSPORT TIEDOWN*..11, 13, 19, 21, 27, 29, 35, 37, 43, 45, 51, 53
- DECAL,LABEL,UCON HYDROLUBE....13, 29, 45
- DECAL,LABEL,WHEEL LD,GS2669DC.....11, 13, 19, 21
- DECAL,LABEL,WHEEL LD,GS3369DC.....27, 29, 35, 37
- DECAL,LABEL,WHEEL LD,GS4069DC....43, 45, 51, 53
- DECAL,LABEL-DIRECTION ARROWS.....15, 17, 23, 25, 31, 33, 39, 41, 47, 49, 55, 57
- DECAL,LANYARD ANCHORAGE POINT...15, 17, 23, 25, 31, 33, 39, 41, 47, 49, 55, 57
- DECAL,MEMBRANE, GR/GRC/GS GCON...81
- DECAL,NOTICE,MAX CAP GS2669.....15, 17, 23, 25
- DECAL,NOTICE,MAX CAP GS3369.....39, 41
- DECAL,NOTICE,MAX CAP GS4069.....47, 49, 55, 57
- DECAL,NOTICE,MAX CAP,GS3369.....31, 33
- DECAL,NOTICE,OP,INST,PLAT,69DC.....47
- DECAL,NOTICE,SIDE FRC GS2669DC.....15, 17
- DECAL,NOTICE,SIDE FRC GS3369DC.....31, 33
- DECAL,NOTICE,SIDE FRC GS4069DC.....47, 49
- DECAL,NOTICE,TIRE SPECS, FRONT.....11, 13, 27, 29, 43, 45
- DECAL,NOTICE,TIRE SPECS, REAR.....11, 13, 27, 29, 43, 45
- DECAL,O/R,PROP LIFT,69DC,UI....15, 17, 23, 25, 31, 33, 39, 41, 47, 49, 55, 57, 119
- DECAL,OP,INSTR,PLAT,69DC,AUS.....15, 17, 31, 33, 49
- DECAL,PLAT OPS INSTRUCT,GS69DC.....15, 17, 31, 33, 47, 49
- DECAL,POWER TO PLATFORM 115V.....11, 13, 15, 17, 19, 23, 25, 29, 31, 33, 37, 39, 41, 45, 47, 49, 53, 55, 57
- DECAL,POWER TO PLATFORM 230V.....11, 13, 15, 17, 19, 23, 25, 29, 31, 33, 37, 39, 41, 45, 47, 49, 53, 55, 57
- DECAL,PROPEL,GR/GRC/GS,PCON.....15, 17, 23, 25, 31, 33, 39, 41, 47, 49, 55, 57, 115-116, 119
- DECAL,SKIN INJECTION.....13, 29, 45
- DECAL,STD,PROP LIFT,69DC,UI.....15, 17, 23, 25, 31, 33, 39, 41, 47, 49, 55, 57, 119
- DECAL,SYM-ELEC HAZARD,PLUG....21, 37, 53
- DECAL,SYM-TIP-OVER,OUTRGR.....23, 25, 39, 41, 55, 57
- DECAL,SYM-TIP-OVR,LIM SWITCH....19, 35, 51
- DECAL,SYM-TIP-OVR,TILT ALARM.....23, 25, 39, 41, 55, 57
- DECAL,SYMBOL-BATTERY SAFETY.....19, 35, 51
- DECAL,SYMBOL-COMP ACCESS.....19, 21, 35, 37, 51, 53
- DECAL,SYMBOL-CRUSHING HAZARD....19, 21, 35, 37, 51, 53
- DECAL,SYMBOL-ELEC HAZARD,GS.....19, 21, 35, 37, 51, 53
- DECAL,SYMBOL-FOOT CRUSHING....19, 21, 35, 37, 51, 53
- DECAL,SYMBOL-READ THE MANUAL.....21, 23, 25, 37, 39, 41, 53, 55, 57
- DECAL,SYMBOL-SKIN INJECT HAZRD...21, 37, 53
- DECAL,SYMBOL-USE SAFETY ARM.....19, 21, 35, 37, 51, 53
- DECAL,UI,GS69DC W/OR,PCON...15, 17, 23, 25, 31, 33, 39, 41, 47, 49, 55, 57, 115-116
- DECAL,WARN,IMPROPER OPERATION...15, 17, 31, 33, 47, 49
- DECAL,WARNING,CRUSHING HAZARD...11, 13, 27, 29, 43, 45
- DECAL,WARNING,HOT SURFACE.....11, 13, 27, 29, 43, 45

E

- ELBOW,070220-4-6.....131
- ELBOW,90D,520220-16-12.....131
- ELBOW,90D,520220-4-6***.....59-60
- ELBOW,90D,520220-6.....131, 143
- ELBOW,90D,520220-8-12.....131
- ENCLOSURE, GC21-19, BK.....81
- ENCLOSURE, GC27-25, BK.....81
- ENCLOSURE,GC14-1,TOP.....115-116
- ENCLOSURE,GC14-1/GC16-1, BOT.....116, 119
- ENCLOSURE,GC16-1,TOP.....115-116
- ENCLOSURE,GC27-25/GC21-19,FRNT.....81
- ENCLOSURE,O/R 4-BUTTON,TOP.....119
- ENCLOSURE,STD 3-BUTTON,TOP.....119
- EXTRUSION,ALUM,V-ROLLER TRK.....109
- EXTRUSION,RUBBER BUMPER STRIP.....71

F

- FILTER ASSY,HIGH PRESS SAE-12*.....73
- FILTER,ELEMENT,BETA(5)=1000.....73

Part Description Index (continued)

- FITTING, CONN, 520120-12.....131
 FITTING, CONN, 520120-6...127, 129, 131, 143
 FITTING, CONN, 520120-6-8***143
 FITTING, ELBOW, 90D, 520220-12.....131
 FITTING, ELBOW, 90D, 520220-8.....143
 FLASH DRIVE, SL1K1.0 SOFTWARE.....115-116
 FLASH DRIVE, SL1K2.0 SOFTWARE.....119
 FOOTPAD ASSY, RTSC OUTRIGGER.....141
 FORM, O/R FRONT CLAMP, PHI FLOAT.....135
 FORMING, BATTERY BALANCER BRAC.....77
 FORMING, BATTERY BRACKET, GS90.....79
 FORMING, BATTERY SHELF.....79
 FORMING, BOX, CONTROL ENCLOSUR.....81
 FORMING, BRACKET, CONTROL BOX.....71
 FORMING, BRACKET, RELAY MOUNT.....81
 FORMING, DOOR, BULKHEAD MOUNT.....81
 FORMING, DOOR, GCON MOUNT.....81
 FORMING, LATCH CATCH.....85
 FORMING, LINK GUARD, BACK, 26/33.....147
 FORMING, LINK GUARD, FRONT, 26/33...147
 FORMING, LINK GUARD, SIDE, 26/33.....147
 FORMING, MOTOR BRACKET.....73
 FORMING, SAFETY ARM.....91, 93, 97
 FORMING, STEER SENSOR COVER PL.....59-60
 FORMING, STEER SENSOR COVER, G.....59-60
 FORMING, BATT HOLDER, REAR.....79
 FORMING, BATT TRAY, J305, GS69DC.....79
 FORMING, BATTERY HOLDER FRONT.....79
 FORMING, BEACON MOUNT.....133
 FORMING, BRACE, 69DC CONTROLS BO...71
 FORMING, CHASSIS COVER.....67
 FORMING, CLAMP, CHASSIS, FRONT.....65
 FORMING, DOOR LATCH HANDLE, LT.....83
 FORMING, DOOR LATCH HANDLE, RT.....83
 FORMING, DOWN LIMIT SWITCH MNT.....91, 95, 99
 FORMING, DRIVE HOSE CLAMP MOUNT...65
 FORMING, EXT DECK CATCH.....109
 FORMING, EXT DECK STOP, LEFT.....109
 FORMING, EXT DECK STOP, RIGHT.....109
 FORMING, FUSE BOX.....77
 FORMING, FUSE MOUNT BRACKET.....77
 FORMING, HANDLE BATTERY CONN.....77
 FORMING, HIGH PRESS FILTER BRKT.....73
 FORMING, LINK GUARD, SIDE, OPT, 40.....147
 FORMING, LINKGUARD, BOXTOP.....147
 FORMING, LINKGUARD, END, 40.....147
 FORMING, LINKGUARD, SIDE, 40.....147
 FORMING, LNK GRD, SIDE, OPT, 26/33.....147
 FORMING, MID CW BRACKET.....67
 FORMING, O/R FRONT CLAMP.....135
 FORMING, O/R HOSE COVER.....137
 FORMING, O/R LIM SWTCH BRACKET.....137
 FORMING, OSC. COVER, GS69.....63
 FORMING, PLAT CONTROL BOX.....116, 119
 FORMING, PLATFORM STOP, RIGHT.....109
 FORMING, PLATFORM STOP, LEFT.....109
 FORMING, REAR DRIVE HOSE CLAMP.....65
 FORMING, TRAY SUP, J305, GS69DC.....79
 FUSE BLOCK, ANN & ANL FUSE.....77
 FUSE HOLDER, ATC 3-30 AMPS.....87
 FUSE, 10 AMP, ATC.....87
 FUSE, 13 AMP, 220V PLUG.....113
 FUSE, 13 AMP, 220V PLUG***.....75, 113
 FUSE, 325 AMP, VERY FAST ACTING.....77
 FUSE, 40 AMP, NON TIME DELAY, ANL.....77
- FUSE, 50 AMP, VERY FAST ACTING.....77
- G**
- GASKET, UK & DIN PWR. TO PLAT.....113
 GASKET, UK RECEPTACLE.....113
 GASKET, (BOOT) FLANGE INLET PLG.....75
 GAUGE, HYDRAULIC TANK T/L VL.....71
 GCON, 69 DC SL1K.....81
 GCON, 69DC, OUTRIGGER, SL1K.....81
 GCON, O/R, PROP LIFT.....81
 GCON, STD, PROP LIFT.....81
 GROMMET, RUBBER 1.5 ID.....135
 GROMMET, RUBBER, 1.75 ID.....65
 GROUND STRAP, 18"LG.....65
- H**
- HANDLE HALF, LEFT, W/TOP SWITCH.....121
 HANDLE HALF, RIGHT, W/TOP SWITCH.....121
 HARNESS, CONTROL POWER, GS69DC.....89
 HARNESS, ESTOP, GR/GRC/GS PCON.....89, 119
 HARNESS, MOTOR/BRAKE, GS69DC.....89
 HARNESS, OR HARNESS, J11.....89
 HARNESS, OUTRIGGER, MAIN, GS69DC.....89
 HARNESS, BEACON, GS69.....89, 133
 HARNESS, DOWN LIMIT SENSOR, GS69.....89
 HARNESS, EXTEND, OSC LS, GS69DC.....89
 HARNESS, FUNCTION, HYD, GS69DC.....89
 HARNESS, LCP, GS69DC.....89
 HARNESS, MOTOR CONTROL, GS69DC.....89
 HARNESS, OSC SWITCH REAR.....89
 HARNESS, OUTRIGGERS, REAR, GS69.....89
 HARNESS, PRESS. SWITCH.....89
 HARNESS, SENSORS, GS69DC.....89
 HARNESS, UP LIMIT SWITCH.....89
 HINGE, GSRT90 BOX.....81, 83, 85, 109
 HINGE, SPRING, LONG LEG.....107
 HOOK-BATT HOLD DOWN 12"LG.....79
 HORN, 24VDC, SPADE TERMINALS***69
 HOSE ASSY, EF(OR.MF)-LF.OR.TEE.....143
 HOSE ASSY, ER(OR.MF)-LR.OR.TEE.....143
 HOSE ASSY, FR(OR.MF)-RF.OR.TEE.....143
 HOSE ASSY, LF.OR.TEE-E(LF.OR.CY.....143
 HOSE ASSY, LF.OR.TEE-E(RF.OR.CY.....143
 HOSE ASSY, LIFT(F.MF)-P(TEE).....131
 HOSE ASSY, LR.OR.TEE-E(LR.OR.CY.....143
 HOSE ASSY, LR.OR.TEE-E(RR.OR.CY.....143
 HOSE ASSY, OR(F.MF)-IN(OR.MF).....143
 HOSE ASSY, OR(F.MF)-IN(OR.MF).....143
 HOSE ASSY, OSC(F.MF)-OSC(TEE).....131
 HOSE ASSY, OSC(TEE)-E(L.OSC.CYL.....131
 HOSE ASSY, OSC(TEE)-E(R.OSC.CYL.....131
 HOSE ASSY, OSC(TEE)-R(L.OSC.CYL.....131
 HOSE ASSY, OSC(TEE)-R(R.OSC.CYL.....131
 HOSE ASSY, OSC(R.F.MF)-OSC(TEE).....131
 HOSE ASSY, PRESS(TEE)-PRESS(LLC.....131
 HOSE ASSY, PRESS(TEE)-PRESS(ULC....129
 HOSE ASSY, RET(LLCYL)-RET(TEE).....131
 HOSE ASSY, RET(TEE)-TANK.....131
 HOSE ASSY, RET(ULCYL)-RET(TEE).....129
 HOSE ASSY, RF.OR.TEE-R(LF.OR.CY.....143
 HOSE ASSY, RF.OR.TEE-R(RF.OR.CY.....143
 HOSE ASSY, RR(OR.MF)-RR.OR.TEE.....143
 HOSE ASSY, RR.OR.TEE-R(LR.OR.CY.....143
 HOSE ASSY, RR.OR.TEE-R(RR.OR.CY.....143
 HOSE ASSY, S1(F.MF)-B(STRCYL).....131
 HOSE ASSY, S2(F.MF)-R(STRCYL).....131
 HOSE END, BARBED, RIGID, -6-6.....145
- HOSE, ASSY, FIL-P, IN(F,MF).....131
 HOSE, ASSY, OUT(PUMP)-FIL.....131
 HOSE, ASSY, SUCT(TANK)-IN(PUMP).....131
 HOSE, ASSY, T(OR.MF)-TIN(F,MF).....143
 HOSE, ASSY, T(OR.MF)-TIN(F,MF).....143
 HOSE, ASSY, T-OUT(F,MF)-RET(TNK).....131
 HOSE, LOW PRESSURE, .375 ID, BLK.....145
 HOUSING ASSY, OUTRIGGER, SY.....137
 HOUSING ASSY, OUTRIGGER, WO.....137
 HUB, SUB ASSEMBLY, 9 BOLT***.....59-60
- I**
- INSERT, 1/4-20 X .5, ULTRASONIC.....116, 119
 INSERT, 10-32 X .25.....81
 INVERTER, 48VDC, 120VAC/60HZ.....77
- J**
- JOYSTICK, HALL EFFECT, SINGLE.....121
 JUMPER, SENSOR, TERMINAL.....89
- K**
- KEY SINGLE***.....81
 KEYS, 10 PACK***.....81
 KEYSWITCH, 3 POS W/KEYS, LOCKING.....81
 KEYSWITCH, 3 POS. W/KEYS***.....81
 KIT, SL PROP UPGRD ANSI SYM 69.....115-116
 KIT, SL PROP UPGRD, ANSI, 69DC.....115-116
 KIT, SL PROP UPGRD, AUS, 69DC....115-116
 KIT, SL PROP UPGRD, CE, 69DC.....115-116
 KIT, SL PROP UPGRD, CE, 69DC O.....115-116
 KIT, ASSY, LED, IES CHARGER.....75
 KIT, BOOT, JOYSTICK, SL1000.....121
 KIT, COIL CORD, CONTRLR, SL1000.....116, 119
 KIT, GASKET, UK POWER TO PLAT.....113
 KIT, SERVICE, TIE ROD, GS69DC.....59-60
 KIT, SWITCH, JYSTK, SL1000.....121
 KIT, TORQUE HUB COVER(101584)**.....65
- L**
- LABEL, PCON O/R, 69DC, SERIAL.....119
 LABEL, PCON STD, 69DC, SERIAL.....119
 LABEL, PCON, 69DC, OUTRIGGER.....115-116
 LABEL, SERIAL 69 DC PCON SL1K...115-116
 LATCH, LRG PADDLE HANDLE GS90.....85
 LATCH, BATT/HYDR TRAY***.....83
 LENS, FLASHING BEACON.....133
 LEVEL SENSOR, LS60, BLUE, 2X3**.....71
 LEVEL, BUBBLE 3 DEGREE.....137
 LOCKNUT, ELECTRIC, 3/4".....77
 LUG, WHEEL STUD, 5/8-18, W1/4HB**.....65
- M**
- MANIFOLD, FUNCTION, GS69, DC.....123
 MANIFOLD, OUTRIGGER, GS69DC.....139
 MOTOR CONTROLLER, 48VAC, 3PH.....73
 MOTOR W/TACH, 48VDC, 12.25 HP.....73
 MOTOR, DRIVE, AC, INT. BRAKE, IP67.....65
- N**
- NICKEL PLATED JAM NUT.....81
 NIPPLE, DIAGNOSTIC, #4 PORT***131
 NO PLUG.....75, 113

- NUT - PLASTIC,RING FOR ALARMS.....115-116, 119
 NUT,COIL (39909).....127
 NUT,HEX,1/2-13 GRD 8.....59-60, 67
 NUT,LOCKING-LG.FLANGE, «-13.....65
 NUT,LOCKING-LG.FLANGE,5/16-18.....77
 NUT,LOCKING-LRG.FLANGE,3/8-16.....109
 NUT,LP NYLOCK,1/2-13.....67, 79
 NUT,LP NYLOCK,1/4-20.....73, 75, 77, 79, 107, 109, 111
 NUT,LP NYLOCK,10-32.....60, 85
 NUT,LP NYLOCK,3/8-16.....65, 69, 71, 109
 NUT,LP NYLOCK,5/8-11.....105, 137
 NUT,LUG,5/8-18 X 90 DEGREE,Z45.....59-60, 65
 NUT,NYLOCK,1/2-13.....67, 73, 79, 91, 95, 99, 101
 NUT,NYLOCK,1/4-20.....59-60, 65, 71, 73, 75, 77, 79, 81, 83, 85, 91, 93, 97, 99, 105, 109, 113, 133, 137
 NUT,NYLOCK,10-24.....65, 77
 NUT,NYLOCK,10-32.....77, 81, 133, 135, 137
 NUT,NYLOCK,3/4-10.....135
 NUT,NYLOCK,3/8-16.....63, 65, 67, 69, 71, 73, 75, 79, 81, 83, 85, 91, 93, 95, 97, 99, 103, 105, 107, 109, 111, 137, 141, 145, 147
 NUT,NYLOCK,5/16-18.....73, 83, 109
 NUT,NYLOCK,6-32.....77
 NUT,NYLOCK,8-32.....65, 69, 75, 81, 91, 95, 99, 137
 NUT,SOLENOID VALVE,OUTRIGGERS.....141
 NUT,SPINDLE,1-14.....59-60
 NUT-COIL SHORT.....139
 NUT-THIN HEAVY HEX, 1/4-20.....77
- O**
- O-RING,.188 X 5'OD,BUNA N,70A.....65
 O-RING,END COVER,4HP/4HB***.....65
 O-RING,FILTER ASSY (60334)***.....73
 O-RING-4.....125
 ORIFICE DISK,.030.....123
 ORIFICE,LONG,.046.....127
 ORIFICE,LONG,.086".....127
 OUTLET,110V GFCI***.....113
- P**
- PAD,SENSE AXLE REST.....65
 PCBA, GC14-1.....115-116
 PCBA, GC16-1.....115-116
 PCBA, GC27-25.....81
 PCBA,GCON 69 DC SL1K.....81
 PCBA,PCON O/R,PROP LIFT.....119
 PCBA,PCON STD,PROP LIFT.....119
 PCON, 69DC SL1K.....115-116
 PCON,69DC,OUTRIGGER,SL1K.....115-116
 PCON,O/R,PROP LIFT,69DC.....119
 PCON,STD,PROP LIFT,69DC.....119
 PIN, CYLINDER, LONG.....91, 95, 99
 PIN, SHOULDER, 5/8-11 X 1.77.....105
 PIN, WIRE LOCK 3/8 X 2 -1/2.....105, 107, 109
 PIN,1.00DIA X 5.27LG,1HOLE.....63
 PIN,1.25 DIA X 5.00 LG,1 HOLE.....91, 95, 99
 PIN,1.50 DIA X 2.75 LG,1 HOLE.....91, 95, 99
 PIN,CENTER LINK,GS69.....91, 93, 97
 PIN,CLEVIS,1 X 2.5 LG.....59-60
 PIN,CLEVIS,1X5.55 LG,GS69DC.....59-60
 PIN,COTTER,.219 X 1.75.....59-60
 PIN,END LINK,GS69.....91, 93, 97
- PIN,OSC PIVOT.....59-60, 65
 PIN,UPPER CYLINDER.....99
 PLATE, BLOCKOFF, ENGINE VENT.....77
 PLATE, CYL UP LIMIT.....141
 PLATE, MTG, MOTOR CONTROLLER.....73
 PLATE, O/R MOUNT, HI FLOAT.....135
 PLATE, RAIN CAP, GS69 DC.....77
 PLATE, STEER SENSOR BRACKET, G.....60
 PLATE,AC ADAPTER,DIN/UK***.....113
 PLATE,BACKING,LINKS.....97
 PLATE,BATTERY BRACKET,GS69DC.....79
 PLATE,BLOCKOFF,CLEARANCE HOLES.....77
 PLATE,BUBBLE LEVEL MOUNT.....137
 PLATE,COUNTERWEIGHT,DC69.....67
 PLATE,GS69 DECK.....105, 109
 PLATE,HOSE ROUTING,BULKHEAD.....65, 91, 93, 97, 99
 PLATE,HYD TANK FILLER COVER.....83, 85
 PLATE,LIMIT SWITCH,LS.....69
 PLATE,O/R SPACER, HI FLOAT.....135
 PLATE,OUTRIGGER MOUNT.....135
 PLATE,REAR CW BRACKET.....67
 PLATE,RECESSED PLUG MOUNT,GS69.....75
 PLATE,SENSE AXLE SWITCH.....65
 PLATE,STEER SENSOR SPACER,GS69.....60
 PLATE,STR RELIEF BACK, DC69.....75
 PLATE,UK POWER TO PLATFORM.....113
 PLATE,UP L.S. MOUNT.....69
 PLATE,UPR CYL,PIN RETAINR 4069.....99
 PLT,RECESSED PLUG BACKING, GS6.....75
 PLUG, 6POS ECO PWR.....116, 119
 PLUG, AUSTRALIAN.....113
 PLUG,1/4"SERIES,3/8 MPT.....145
 PLUG,ALARM BEACON HOLE.....85
 PLUG,ELECTRICAL,220/50,NOVON.....75, 113
 PLUG,ELECTRICAL,DOMESTIC.....113
 PLUG,FLG INLET,15A/125V,2PWGD.....75
 PLUG,FUSED,250V,13AMP,U.K.**.....75, 113
 PLUG,HEX SOCKET,090109B-12.....131
 PLUG,HEX SOCKET,090109B-4.....125, 131
 PLUG,HEX SOCKET,090109B-6***.....131
 PLUG,HEX SOCKET,090109B-8.....131
 PLUG,NYLON .50 BLACK DOMED.....83, 85
 PLUG,NYLON,.291"RING.....83
 PLUG,NYLON,.381"RING.....83
 PLUG,PWR,UK,16AMP,3PIN,BLK.....75, 113
 PLUG,TUBE,SQ 1.50X.065.....105, 107, 109
 PUMP, GEAR, 6CC.....73
 PUSH RETAINER, 3/8" SCREW.....65, 73
- Q**
- QUICK DISCONNECT CASING,BATT**.....77
- R**
- RAIL SPACER, GS90.....105
 RECEPACLE, DIN, 220V 50A.....113
 RECEPACLE,UK,110V.....113
 REDUCER,MORB-FORB,04-04****.....131
 RELAY,24VDC,40/30A,SEALED***.....81
 RETAINER, GS68 O/R FOOTPAD***.....141
 RIVET,DRIVE,.25 X .25.....105, 109
 ROCKER,2 SWITCH.....121
 ROD END,.250 X 2.75 LG.....59-60
 ROD END,.375 X 2.25***.....59-60, 63, 65
 ROD END,.50 X 4.....91, 95, 99
 ROD,DISCONNECT 4HP/4HB***.....65
 ROLLER,PLASTIC,AWP96**.....109
 RUBBER, VIBRATION MOUNT.....137
- RUE RING 1.00.....59-60
- S**
- SCREW T-SWITCH PH/PH 6-32X1/4.....81
 SCREW, SELF TAP.....121
 SCREW, WASH HEAD, 20-9X5/8.....71
 SCREW,BHSCS,M5X10,SS.....116, 119
 SCREW,FHM,10-32 X .75.....77
 SCREW,FHM,10-32 X 1.....77
 SCREW,GRUB,M5X8MM CUP(BLK).....121
 SCREW,GRUB,M5X8MM,HLF DOG,BZP...121
 SCREW,HHC,1/2-13 X 1, GR 5.....65
 SCREW,HHC,1/2-13 X 1.5.....91, 95, 99
 SCREW,HHC,1/2-13 X 1.75.....67, 91, 95, 99
 SCREW,HHC,1/2-13 X 2 GR5...67, 91, 95, 99, 135
 SCREW,HHC,1/2-13 X 2.25,GR8.....67
 SCREW,HHC,1/2-13 X 3.....91, 95, 99
 SCREW,HHC,1/4-20 X .5.....63
 SCREW,HHC,1/4-20 X .625.....79, 111
 SCREW,HHC,1/4-20 X .75.....59-60, 65, 67, 71, 79, 109, 113
 SCREW,HHC,1/4-20 X 1.25.....59-60, 77
 SCREW,HHC,1/4-20 X 1.25, TAP.....83
 SCREW,HHC,1/4-20 X 1.5.....77
 SCREW,HHC,1/4-20 X 1.75.....59-60, 105, 135
 SCREW,HHC,1/4-20 X 2.....59-60, 97, 99, 107
 SCREW,HHC,1/4-20 X 5.....83
 SCREW,HHC,3/4-10 X 2.75.....135
 SCREW,HHC,3/8-16 X .50 GR.5.....69, 71
 SCREW,HHC,3/8-16 X .75.....59-60, 65, 73, 145
 SCREW,HHC,3/8-16 X .88,GRD 8.....59-60, 69
 SCREW,HHC,3/8-16 X 1.....79, 105, 109
 SCREW,HHC,3/8-16 X 1.25 GRD 5.....83, 85, 137
 SCREW,HHC,3/8-16 X 1.50,GR5.....67
 SCREW,HHC,3/8-16 X 1.75,GRD.8.....63
 SCREW,HHC,3/8-16 X 2.....137
 SCREW,HHC,3/8-16 X 2.25.....107, 109
 SCREW,HHC,3/8-16 X 2.75.....91, 93, 97, 141
 SCREW,HHC,3/8-16 X 3.....91, 93, 97, 111
 SCREW,HHC,5/16-18 X 1 GR5.....73
 SCREW,HHC,5/16-18 X 2.....65
 SCREW,PHILLIPS,PHM,10-32 X .38.....77
 SCREW,PHILLIPS,PHM,10-32 X .5.....81
 SCREW,PHILLIPS,PHM,10-32 X .75.....133, 137
 SCREW,PHILLIPS,PHM,10-32 X 1.....81
 SCREW,PHILLIPS,PHM,10-32X 1.75.....60
 SCREW,PHILLIPS,PHM,6-32 X .5.....77, 81
 SCREW,PHILLIPS,PHM,6-32 X .75.....113
 SCREW,PHILLIPS,PHM,8-32 X .5.....75
 SCREW,PHILLIPS,PHM,8-32 X .875.....137
 SCREW,PHILLIPS,PHM,8-32 X 1.25.....69, 91, 95, 99
 SCREW,PHILLIPS,PHM,8-32 X.25**.....81
 SCREW,PHM,4-20X.5, 48-2 TRI-L.....81, 115-116, 119
 SCREW,PHM,6-19X.75, 48-2 TRI-L.....81
 SCREW,PHM,8-16X.75, 48-2 TRI-L.....116, 119
 SCREW,PHM,8-32X.438.....113
 SCREW,RHM,8-32 X .75.....81
 SCREW,RHM,8-32 X 1.....65
 SCREW,SHC,1/2-13 X 2.5 ZINC.....59-60
 SCREW,SHC,1/4-20 X .875.....73, 75
 SCREW,SHC,10-32 X 1.75.....85
 SCREW,SHC,3/8-24 X 1.25".....73
 SCREW,SHC,5/8-11 X 1.5 NDPATCH.....65

Part Description Index (continued)

SEAL KIT.....127
 SEAL KIT, VALVE.....127
 SEAL KIT,(131428).....141
 SEAL KIT,226380.....125
 SEAL KIT,STEER CYL (89065).....59-60
 SEAL KIT,WHEEL DRIVE,4HB***.....65
 SEAL KIT,P.N.44169,44172,44171.....139
 SEAL,FILTER ASSY (60334)***.....73
 SEAL-GREASE,9-BOLT HUB 54840.....59-60
 SENSOR,LEVEL, ANALOG.....71
 SERV KIT,CAP,SERIES 1CB VALVE.....125
 SLIDE BLOCK,DOOR WEDGE,HDPE.....85
 SLIDER BLOCK, GS69.....91, 93, 97, 101, 103
 SLIDER, GATE CATCH.....107
 SNAP RING (74097).....65
 SNAP RING,EXTERNAL,1.5 DIA***.....91, 93, 97
 SPACER,STEER SENSOR.....60
 SPACER,STEER SENSOR,UHMW.....60
 SPACER-DUAL COIL,#10, SCISSORS.....139
 SPEED SENSOR KIT.....73
 SPRING CLIP,1/4-20,.025-.15X5.....59-60, 65, 67, 135
 SPRING CLIP,3/8-16.....83, 85, 109, 137
 SPRING CLIP,3/8-16,.05-.20X.73.....69
 SPRING, HANDLE TRIGGER.....121
 SPRING,COMP,300 OD X .63LG.....60
 SPRING,COMPRESSION .835 X 2.....107
 STEER SENSOR ACTUATOR,HEX.....59-60
 STEER SENSOR ASSEMBLY.....59-60
 STRAIN RELIEF, 3/4, NPT, GRY.....77
 STRAINER,16 SAE F/24 SAE M.....131
 STRAINER,FILLER NECK.....71
 STRAP, RUBBER STEP SUPPORT.....67
 SVC KIT,UK RECEPT.REPLACEMENT.....113
 SWITCH TOGGLE ASSY SPDT 3P MOM.....81
 SWITCH TOGGLE SPDT 3P MOM SHDR.....81
 SWITCH,LIMIT,PLUNGER,SMALL.....65, 91, 95, 99
 SWITCH,LIMIT,W/ROLLER ARM.....69, 137
 SWITCH,LIMIT,ZCY15 ARM.....69
 SWITCH,PRESS,#4SAE,1500 PSI.....123, 131

T

T-BOX,2.75 X 4.5 X 2.0.....113
 TANK STRAP,BOLT STYLE,HYD,GS69.....71
 TANK,HYDRAULIC,18 GALLON***.....71
 TAPE, NON-SKID,2"X14".....135
 TAPE,WARNING,BLK/YEL, 50'***.....109
 TEE,BULKHEAD,RUN,520120-6.....129
 TEE,BULKHEAD,RUN,520958-4.....131, 143
 TERM BLK,3 POLE/12 POS,LCP.....81
 TERMINAL, SPLINE (AMP).....121
 TRIGGER, EXTENDED.....121

U

UHMW,EXT LATCH ARM CATCH.....111
 UNION,BULKHEAD,ORFS,-6-6.....131

V

V-ROLLER,NARROW,EXT DECK.....105
 VALVE, CHECK, DROP IN.....123
 VALVE, CROSS RELIEF, 1500 PSI.....123
 VALVE, FLOW REG, 1.0 GPM.....123
 VALVE, SOLENOID, 5W-3P.....123
 VALVE,2 POSITION 2 WAY***.....127
 VALVE,CHECK,10 PSI.....123
 VALVE,COUNTERBALNCE,3800 PSI.....125

VALVE,DBL PULL S-NOID 20V***.....127
 VALVE,DIR,#10 SAE,3 POS. 4 WAY.....139
 VALVE,DIRECTION,2-POS,3WAY,SCRN.....123
 VALVE,FLOW REG,2.0 GPM.....123
 VALVE,NC,BI-DI,CART***.....141
 VALVE,RELIEF,3300 PSI.....123
 VALVE,SOLENOID, 2POS,3WAY,SCRN.....123
 VALVE,SOLENOID,2-POS,3-WAY.....123
 VALVE-CHECK, #4 SAE, 5 PSI*.....123
 VALVE-RELIEF,2500PSI.....127
 VALVE-RELIEF,3500PSI.....123

W

WASHER, FENDER, .125X.531X2.5.....79
 WASHER,FLAT .56 X 1.375 X .11.....59-60
 WASHER,FLAT,.625 HARDENED.....65
 WASHER,FLAT,1.510X2.125.....91, 93, 97
 WASHER,FLAT,M10,ZINC PLTD.....73
 WASHER,FLAT,MS,#8,Y.....69, 91, 95, 99
 WASHER,FLAT,SAE,3/8",Y.....109
 WASHER,FLAT,USS,1/2",Y.....67, 91, 95, 99
 WASHER,FLAT,USS,1/4"Y.....59-60, 71, 77, 83, 105, 107, 109, 135
 WASHER,FLAT,USS,3/8",Y.....63, 67, 71, 73, 79, 95, 99, 103, 111, 147
 WASHER,FLAT,USS,5/16",Y.....73
 WASHER,LOCK,.313.....65
 WASHER,LOCK,.375.....73, 83, 85
 WASHER,SPINDLE.....59-60
 WASHER,STAR,EXTERNAL,.375.....81
 WASHER-SOLENOID VALVE (66683)*.....127
 WEAR PAD,SLIDER FOOT,LOWER.....91, 95, 99
 WEAR PAD,SLIDER FOOT,UPPER.....91, 95, 99
 WELDMENT, GS4068 LADDER.....67
 WELDMENT, MAIN RAIL, LEFT.....105
 WELDMENT, MAIN, A-RAIL, LEFT.....107
 WELDMENT, MAIN, A-RAIL, RIGHT.....107
 WELDMENT, MOTOR SPRAY GUARD.....73
 WELDMENT,26/32 LADDER.....67
 WELDMENT,BATTERY BOX,GS69DC.....77
 WELDMENT,BOX DOOR,LEFT,WINDOW.....83
 WELDMENT,BOX DOOR,LT.....85
 WELDMENT,BOX DOOR,LT,WINDOW.....85
 WELDMENT,BOX DOOR,RT.....83, 85
 WELDMENT,BOX,BATTERY,DC.....77
 WELDMENT,BOX,HYD.....73
 WELDMENT,CHASSIS LINK PVT,2669.....91
 WELDMENT,ENTRY GATE**.....107
 WELDMENT,EXT DECK RAIL,END.....109
 WELDMENT,EXT.DECK,GS69.....109
 WELDMENT,FRONT STEER,GS69DC.....59-60
 WELDMENT,KING PIN.....59-60
 WELDMENT,LINK,OUTER #1.....91, 93, 97
 WELDMENT,LINK,OUTER #2,3,4.....93, 97
 WELDMENT,LINK,TOP OUTER,GS69.....91, 93, 97, 101, 103
 WELDMENT,LOWER LADDER STEP.....67
 WELDMENT,MAIN PLATFORM,GS69.....101, 103
 WELDMENT,MAIN RAIL,RIGHT.....105
 WELDMENT,O/R SWITCH COVER.....137
 WELDMENT,OSC.AXLE.....59-60
 WELDMENT,OUTRIGGER COVER.....137
 WELDMENT,OUTRIGGER YOKE.....137
 WELDMENT,PLAT PIVOT,33/4069.....95, 99, 101

WELDMENT,PLATFORM PIVOT,2669.....91
 WELDMENT,SIDE EXT RAIL,LEFT.....109
 WELDMENT,SIDE EXT RAIL,RIGHT.....109
 WELDMENT,SLIDER FOOT, 32/4069.....95, 99
 WELDMENT,SLIDER FOOT, GS2669.....91
 WELDMENT,TIE ROD,GS69DC.....59-60
 WELDMNT,LINK, TOP INNER,32/4069.....101
 WHEEL ASSEMBLY, HI FLOAT FOAM, DC, FRONT.....59-60
 WHEEL ASSY,FOAM,12X26,NM,LF.....59-60
 WHEEL ASSY,FOAM,12X26,NM,LR.....65
 WHEEL ASSY,FOAM,12X26,NM,RF.....59-60
 WHEEL ASSY,FOAM,12X26,NM,RR.....65
 WHEEL DRIVE,4HB,57:1***.....65
 WIRE CABLE,14/3 CON.TPE JKT*.....113
 WIRE CAP,ORANGE.....113
 WLDMNT,MTR CNTRL CABLE GUIDE.....75
 WLDMNT,PLATFORM SPACER, 2669.....91
 WLDMT, HYD BOX GS68.....73
 WLDMT,CHASSIS LINK PVT,33/4069.....95, 99
 WLDMT,EXT DECK HANDLE.....111
 WLDMT,EXT DECK HANDLE,L.....111
 WLDMT,LINK,OUTER,#2.....91, 93, 97
 WLDT,BOX DOOR,ENG,LT,GS68.....83

Z

ZERK,GREASE,1/8 NPT.....141

This Page Intentionally Left Blank

Fitting Cross References

Genie PN	Parker PN	Description	Genie PN	Parker PN	Description
12342	6-4 F5OX-S	CONNECTOR,STRAIGHT THREAD TO FLARE TUBE	42794	1 CR-S	ELBOW,90°,MALE PIPE
13757	4 R6X-S	RUN TEE,SWIVEL NUT,ORFS	42795	BV-0839	BALL VALVE
19685	12-10 C5OX-S	ELBOW,90°,STRAIGHT THREAD TO FLARE TUBE	42796	BV-0838	BALL VALVE
22664	12-10 C5OX	ELBOW,90°,STRAIGHT THREAD TO FLARE TUBE	42874	6-8 CLO-S	ELBOW,90°,MALE PIPE TO ORFS
27431	8-12 F5OX-S	CONNECTOR,STRAIGHT THREAD TO FLARE TUBE	42912	13943-6-4	HOSE END,90° FEMALE SWIVEL,JIC
28678	AS-B-33	SLEEVE,NYLON,1.81" ID	42920	BV-0840	BALL VALVE,90°
39871	6 WETX-WLN-S	UNION,90° BULKHEAD W/NUT,FLARE TUBE	42932	AS-B-17	SLEEVE,NYLON,1.22" ID
39872	4 R5OX-S	RUN TEE,STRAIGHT THREAD	42936	10243-2-4	HOSE END,FEMALE PIPE
39873	6 C5OX-S	ELBOW,90°,STRAIGHT THREAD TO FLARE TUBE	42953	1/2 DD-S	ELBOW,90°,FEMALE PIPE
39874	8-6 C5OX-S	ELBOW,90°,STRAIGHT THREAD TO FLARE TUBE	42956	6 WELO-WLNL-S	UNION,90° BULKHEAD W/NUT,ORFS
39875	4-6 C5OX-S	ELBOW,90°,STRAIGHT THREAD TO FLARE TUBE	45349	8 V5OX-S	ELBOW,45°,STRAIGHT THREAD TO FLARE TUBE
39876	6-8 C5OX-S	ELBOW,90°,STRAIGHT THREAD TO FLARE TUBE	45351	4 V5OX-S	ELBOW,45°,STRAIGHT THREAD TO FLARE TUBE
39877	4 F5OX-S	CONNECTOR,STRAIGHT THREAD TO FLARE TUBE	47223	10343-6-6	HOSE END,MALE,JIC
39878	6 F5OX-S	CONNECTOR,STRAIGHT THREAD TO FLARE TUBE	47419	PS690503-6-6	SWIVEL,90°,STRAIGHT THREAD TO 37° FLARE
39879	4-8 F5OX-S	CONNECTOR,STRAIGHT THREAD TO FLARE TUBE	48750	421-4	HOSE,1/4 INCH ID
39880	6-10 F5OX-S	CONNECTOR,STRAIGHT THREAD TO FLARE TUBE	48751	481TC-4	HOSE,1/4 INCH ID
39881	4-6 F5OX-S	CONNECTOR,STRAIGHT THREAD TO FLARE TUBE	48752	482TC-4	HOSE,1/4 INCH ID
39882	4-HP5ON-S	PLUG,STRAIGHT THREAD	48753	451TC-6	HOSE,3/8 INCH ID
39883	8-8 FTX-S	CONNECTOR,MALE PIPE TO FLARE TUBE	48754	482TC-6	HOSE,3/8 INCH ID
39885	269HB 12-12	ELBOW,90°,BEADED HOSE BARB TO MALE PIPE	48755	381-6	HOSE,3/8 INCH ID
39886	431-6	HOSE,3/8 INCH ID	48756	451TC-8	HOSE,1/2 INCH ID
39887	540N-2	HOSE,1/8 INCH ID	48757	482TC-8	HOSE,1/2 INCH ID
39888	801-8	HOSE,1/2 INCH ID	48758	381-8	HOSE,1/2 INCH ID
39889	801-12	HOSE,3/4 INCH ID	48759	381-10	HOSE,5/8 INCH ID
39890	10643-6-6	HOSE END,FEMALE SWIVEL,JIC	48760	451TC-10	HOSE,5/8 INCH ID
39891	13943-6-6	HOSE END,90° FEMALE SWIVEL,JIC	48761	482TC-12	HOSE,3/4 INCH ID
39892	13743-6-6	HOSE END,45° FEMALE SWIVEL,JIC	48762	451TC-12	HOSE,3/4 INCH ID
39894	30682-8-8	HOSE END,FEMALE SWIVEL,JIC	48763	772-12	HOSE,3/4 INCH ID
39895	30682-10-12	HOSE END,FEMALE SWIVEL,JIC	48764	881-16	HOSE,1 INCH ID
42286	8-8 CTX-S	ELBOW,90°,MALE PIPE TO FLARE TUBE	48765	772-16	HOSE,1 INCH ID
42756	8-12 CLO-S	ELBOW,90,MALE PIPE TO ORFS	48766	AS-B-15	SLEEVE,NYLON,1.06" ID
42757	8-12 FLO-S	CONNECTOR,MALE PIPE TO ORFS	48767	AS-B-22	SLEEVE,NYLON,1.42" ID
42758	4 JLO-S	UNION TEE,ORFS	48770	881-8	HOSE,1/2 INCH ID
42759	4-4 FLO-S	CONNECTOR,MALE PIPE TO ORFS			
42760	6-8 FLO-S	CONNECTOR,MALE PIPE TO ORFS			
42761	1J143-6-4	HOSE END,90° FEMALE SWIVEL,SEAL LOK			
42762	1J743-6-4	HOSE END,45° FEMALE SWIVEL,SEAL LOK			
42768	1JO43-4-4	HOSE END,MALE,SEAL LOK			
42776	601-8	HOSE,1/2 INCH ID			
42777	1J743-16-16	HOSE END,45° FEMALE SWIVEL,SEAL LOK			
42786	16 CLO-S	ELBOW,90°,MALE PIPE TO ORFS			
42787	16 R6LO-S	RUN TEE,SWIVEL NUT,ORFS			
42788	16-8 TRLO-BL-S	REDUCER,TUBE END TO SWIVEL,ORFS			
42789	6-6 CLO-S	ELBOW,90°,MALE PIPE TO ORFS			
42790	8-10 V5OLO-S	ELBOW,45°,STRAIGHT THREAD TO ORFS			
42791	3/4 CD-S	ELBOW,90°,MALE TO FEMALE PIPE			
42792	3/4 X 1/2 PTR-S	REDUCER,MALE TO FEMALE PIPE			
42793	1/2 CR-S	ELBOW,90°,MALE PIPE			

Fitting Cross References (Continued)

Genie PN	Parker PN	Description
48771	881-10	HOSE,5/8 INCH ID
48772	381-4	HOSE,1/4 INCH ID
48773	AS-B-13	SLEEVE,NYLON,.86" ID
48800	1JC43-4-4	HOSE END,FEMALE SWIVEL,SEAL LOK
48801	1J743-4-4	HOSE END,45° FEMALE SWIVEL,SEAL LOK
48802	1J943-4-4	HOSE END,90° FEMALE SWIVEL,SEAL LOK
48804	1JM43-4-4	HOSE END,MALE,SEAL LOK, NO O-RING
48805	10643-4-4	HOSE END,FEMALE SWIVEL,JIC
48806	13943-4-4	HOSE END,90° FEMALE SWIVEL,JIC
48807	1JS43-4-4	HOSE END,FEMALE SWIVEL,SEAL LOK
48808	3JC82-8-8	HOSE END,FEMALE SWIVEL,SEAL LOK
48809	3JC82-12-12	HOSE END,FEMALE SWIVEL,SEAL LOK
48810	1JC43-6-4	HOSE END,FEMALE SWIVEL,SEAL LOK
48811	1J943-6-4	HOSE END,90° FEMALE SWIVEL,SEAL LOK
48812	1JC43-6-6	HOSE END,FEMALE SWIVEL,SEAL LOK
48813	1J143-6-6	HOSE END,90° FEMALE SWIVEL,SEAL LOK
48814	1J543-6-6	HOSE END,90° FEMALE SWIVEL,SEAL LOK
48815	1J743-6-6	HOSE END,45° FEMALE SWIVEL,SEAL LOK
48816	1J943-6-6	HOSE END,90° FEMALE SWIVEL,SEAL LOK
48817	1JS43-6-8	HOSE END,FEMALE SWIVEL,SEAL LOK
48818	1J943-8-4	HOSE END,90° FEMALE SWIVEL,SEAL LOK
48819	1JC43-8-6	HOSE END,FEMALE SWIVEL,SEAL LOK
48820	1J743-8-6	HOSE END,45° FEMALE SWIVEL,SEAL LOK
48821	1J943-8-6	HOSE END,90° FEMALE SWIVEL,SEAL LOK
48822	1JC43-8-8	HOSE END,FEMALE SWIVEL,SEAL LOK
48823	1JS43-8-8	HOSE END,FEMALE SWIVEL,SEAL LOK
48824	1J143-8-8	HOSE END,90° FEMALE SWIVEL,SEAL LOK
48825	1J543-8-8	HOSE END,90° FEMALE SWIVEL,SEAL LOK
48826	1J743-8-8	HOSE END,45° FEMALE SWIVEL,SEAL LOK
48827	1J943-8-8	HOSE END,90° FEMALE SWIVEL,SEAL LOK
48828	1JC43-10-8	HOSE END,FEMALE SWIVEL,SEAL LOK
48829	1JS43-10-8	HOSE END,FEMALE SWIVEL,SEAL LOK
48830	1J743-10-8	HOSE END,45° FEMALE SWIVEL,SEAL LOK
48831	1J943-10-8	HOSE END,90° FEMALE SWIVEL,SEAL LOK
48833	1JC43-10-10	HOSE END,FEMALE SWIVEL,SEAL LOK
48834	1J943-10-10	HOSE END,90° FEMALE SWIVEL,SEAL LOK
48835	1JS43-10-12	HOSE END,FEMALE SWIVEL,SEAL LOK
48836	1JC43-12-8	HOSE END,FEMALE SWIVEL,SEAL LOK
48837	1JS43-12-8	HOSE END,FEMALE SWIVEL,SEAL LOK
48838	1J743-12-8	HOSE END,45° FEMALE SWIVEL,SEAL LOK
48839	1J943-12-8	HOSE END,90° FEMALE SWIVEL,SEAL LOK
48840	1J943-12-10	HOSE END,90° FEMALE SWIVEL,SEAL LOK
48841	1JC43-12-12	HOSE END,FEMALE SWIVEL,SEAL LOK
48842	1JO43-12-12	HOSE END,MALE,SEAL LOK
48843	1J143-12-12	HOSE END,90° FEMALE SWIVEL,SEAL LOK
48844	1J543-12-12	HOSE END,90° FEMALE SWIVEL,SEAL LOK
48845	1J743-12-12	HOSE END,45° FEMALE SWIVEL,SEAL LOK
48846	1J943-12-12	HOSE END,90° FEMALE SWIVEL,SEAL LOK

Genie PN	Parker PN	Description
48847	13943-12-12	HOSE END,90° FEMALE SWIVEL,JIC
48848	10543-12-12	HOSE END,MALE,STRAIGHT THREAD
48849	1JC71-12-12	HOSE END,FEMALE SWIVEL,SEAL LOK
48850	1JS71-12-12	HOSE END,FEMALE SWIVEL,SEAL LOK
48851	1J171-12-12	HOSE END,90° FEMALE SWIVEL,SEAL LOK
48852	1J771-12-12	HOSE END,45° FEMALE SWIVEL,SEAL LOK
48853	1J971-12-12	HOSE END,90° FEMALE SWIVEL,SEAL LOK
48854	1JC43-16-16	HOSE END,FEMALE SWIVEL,SEAL LOK
48855	1J943-16-16	HOSE END,90° FEMALE SWIVEL,SEAL LOK
48856	1J171-16-16	HOSE END,90° FEMALE SWIVEL,SEAL LOK
48857	1J971-16-16	HOSE END,90° FEMALE SWIVEL,SEAL LOK
48859	1JS43-8-4	HOSE END,FEMALE SWIVEL,SEAL LOK
48867	PD36BTL	DIAGNOSTIC NIPPLE,SEAL-LOK SWIVEL
48873	6 PNLO-S	PLUG,TUBE END,ORFS
48874	6 PNTX-S	PLUG,FLARE TUBE
48875	6 R6LO-S	RUN TEE,SWIVEL NUT,ORFS
48877	4 F5OLO-SW/.025	CONNECTOR,STRAIGHT THREAD TO ORFS, W/.025 ORI
48878	16-12 C5OLO-S	ELBOW,90°,STRAIGHT THREAD TO ORFS
48879	8 C6LO-S	ELBOW,90°,SWIVEL NUT ORFS
48880	PD6-285	CAP,DIAGNOSTIC NIPPLE
48881	6 HLO-S	UNION,ORFS
48883	8 P5ON-S	PLUG,STRAIGHT THREAD
48884	8M18F87OMLO-S	CONNECTOR,METRIC,STRAIGHT THREAD TO ORFS
48885	4 WGTX-WLN-S	CONNECTOR,BULKHEAD,FEMALE PIPE TO FLARE TUBE
48886	4 F5OLO-SW/2MM	CONNECTOR,MACHINED STRAIGHT THREAD TO ORFS
48887	4 CTX-S	ELBOW,90°,MALE PIPE TO FLARE TUBE
48888	10-12 V5OLO-S	ELBOW,45°,STRAIGHT THREAD TO ORFS
48890	4 S5OLO-S	BRANCH TEE,STRAIGHT THREAD TO ORFS
48891	4 S6LO-S	BRANCH TEE,SWIVEL NUT TO ORFS

Fitting Cross References (Continued)

Genie PN	Parker PN	Description	Genie PN	Parker PN	Description
48892	6 C6LO-S	ELBOW,90°,SWIVEL NUT ORFS	48938	8 R6LO-S	RUN TEE,SWIVEL NUT,ORFS
48893	6 F5OHAO-S	UNION,STRAIGHT THREAD	48939	8 S6LO-S	BRANCH TEE,SWIVEL NUT TO ORFS
48894	8 WLO-WLNL-S	UNION,BULKHEAD,ORFS	48940	8 WJLO-WLNL-S	RUN TEE, BULKHEAD,ORFS
48895	DT-370-MSMO-5	VALVE,CHECK	48941	8-4 TRLO-S	REDUCER,TUBE END TO SWIVEL,ORFS
48896	6 JLO-S	UNION,TEE,ORFS	48942	8-6 C5OLO-S	ELBOW,90°,STRAIGHT THREAD TO ORFS
48897	DT-750-MSMS-5	VALVE,CHECK	48943	8-6 F5OLO-S	CONNECTOR,STRAIGHT THREAD TO ORFS
48898	DT-750-MOMS-5	VALVE,CHECK	48944	8-8 FLO-S	CONNECTOR,MALE PIPE TO ORFS
48899	DT-620-MOMS-5	VALVE,CHECK	48945	8 FTX-S	CONNECTOR,MALE PIPE TO FLARE TUBE
48900	4-6 F5OLO-SW/.035	CONNECTOR,STRAIGHT THREAD TO ORFS, W/.035 ORI	48946	8-10 F5OLO-S	CONNECTOR,STRAIGHT THREAD TO ORFS
48902	16-1 AOE4G-S	ELBOW,90° LONG,FEMALE PIPE TO STRAIGHT THREAD	48947	8-12 C5OLO-S	ELBOW,90°,STRAIGHT THREAD TO ORFS
48903	1 FF-S	NIPPLE,PIPE	48948	8-12 F5OLO-S	CONNECTOR,STRAIGHT THREAD TO ORFS
48904	4 C5OLO-S	ELBOW,90°,STRAIGHT THREAD TO ORFS	48949	8-16 F5OLO-S	CONNECTOR,STRAIGHT THREAD TO ORFS
48905	4 F5OLO-S	CONNECTOR,STRAIGHT THREAD TO ORFS	48950	10 C5OLO-S	ELBOW,90°,STRAIGHT THREAD TO ORFS
48906	4 R5OLO-S	RUN TEE,STRAIGHT THREAD	48951	10 CC5OLO-S	ELBOW,90° LONG,STRAIGHT THREAD TO ORFS
48907	4 V5OLO-S	ELBOW,45°,STRAIGHT THREAD TO ORFS	48952	10 F5OLO-S	CONNECTOR,STRAIGHT THREAD TO ORFS
48908	4 R6LO-S	RUN TEE,SWIVEL NUT,ORFS	48953	10 R5OLO-S	RUN TEE,STRAIGHT THREAD
48909	4 WJLO-WLNL-S	RUN TEE, BULKHEAD,ORFS	48954	10 S5OLO-S	BRANCH TEE,STRAIGHT THREAD TO ORFS
48910	4 GTX-S W/.030	CONNECTOR,FEMALE PIPE TO FLARE TUBE	48955	10 R6LO-S	RUN TEE,SWIVEL NUT,ORFS
48911	4-6 C5OLO-S	ELBOW,90°,STRAIGHT THREAD TO ORFS	48956	10-4 TRLO-BL-S	REDUCER,TUBE END TO SWIVEL,ORFS
48912	4-6 F5OLO-S	CONNECTOR,STRAIGHT THREAD TO ORFS	48957	10-6 TRLO-BL-S	REDUCER,TUBE END TO SWIVEL,ORFS
48913	4-6 F5OLO-SW/.030	CONNECTOR,STRAIGHT THREAD TO ORFS, W/.030 ORI	48958	10-12 F5OLO-S	CONNECTOR,STRAIGHT THREAD TO ORFS
48914	4-8 F5OLO-S	CONNECTOR,STRAIGHT THREAD TO ORFS	48959	12 C5OLO-S	ELBOW,90°,STRAIGHT THREAD TO ORFS
48915	6 C5OLO-S	ELBOW,90°,STRAIGHT THREAD TO ORFS	48960	12 F5OLO-S	CONNECTOR,STRAIGHT THREAD TO ORFS
48916	6 F5OLO-S	CONNECTOR,STRAIGHT THREAD TO ORFS	48961	12 R5OLO-S	RUN TEE,STRAIGHT THREAD
48917	6 FF5OLO-S	CONNECTOR,LONG,STRAIGHT THREAD TO ORFS	48962	12 S5OLO-S	BRANCH TEE,STRAIGHT THREAD TO ORFS
48918	6 R5OLO-S	RUN TEE,STRAIGHT THREAD	48963	12 V5OLO-S	ELBOW,45°,STRAIGHT THREAD TO ORFS
48919	6 S5OLO-S	BRANCH TEE,STRAIGHT THREAD TO ORFS	48964	12 R6LO-S	RUN TEE,SWIVEL NUT,ORFS
48920	6 V5OLO-S	ELBOW,45°,STRAIGHT THREAD TO ORFS	48965	12 CLO-S	ELBOW,90°,MALE PIPE TO ORFS
48921	6 FLO-S	CONNECTOR,MALE PIPE TO ORFS	48966	12 FLO-S	CONNECTOR,MALE PIPE TO ORFS
48922	6-6 FLO-S	CONNECTOR,MALE PIPE TO ORFS	48967	12 JLO-S	UNION TEE,ORFS
48923	6 P5ON-S	PLUG,STRAIGHT THREAD	48968	12 WLO-WLNL-S	UNION,BULKHEAD,ORFS
48925	6 WELO-S	UNION,90° BULKHEAD,ORFS	48969	12 WJLO-WLNL-S	RUN TEE, BULKHEAD,ORFS
48926	6-4 C5OLO-S	ELBOW,90°,STRAIGHT THREAD TO ORFS	48970	12 WELO-WLNL-S	UNION,90° BULKHEAD W/NUT,ORFS
48927	6-4 F5OLO-S	CONNECTOR,STRAIGHT THREAD TO ORFS			
48928	6-4 V5OLO-S	ELBOW,45°,STRAIGHT THREAD TO ORFS			
48929	6-8 C5OLO-S	ELBOW,90°,STRAIGHT THREAD TO ORFS			
48930	6-8 F5OLO-S	CONNECTOR,STRAIGHT THREAD TO ORFS			
48931	6-10 F5OLO-S	CONNECTOR,STRAIGHT THREAD TO ORFS			
48932	8 C5OLO-S	ELBOW,90°,STRAIGHT THREAD TO ORFS			
48933	8 F5OLO-S	CONNECTOR,STRAIGHT THREAD TO ORFS			
48934	8 FF5OLO-S	CONNECTOR,LONG,STRAIGHT THREAD TO ORFS			
48935	8 R5OLO-S	RUN TEE,STRAIGHT THREAD			
48936	8 S5OLO-S	BRANCH TEE,STRAIGHT THREAD TO ORFS			
48937	8 V5OLO-S	ELBOW,45°,STRAIGHT THREAD TO ORFS			

Fitting Cross References (Continued)

Genie PN	Parker PN	Description	Genie PN	Parker PN	Description
48971	12 G5G5JG5-S	TEE,FEMALE STRAIGHT THREAD	49612	PKT02586	O-RING KIT (ORFS FITTINGS)
48972	12 XHL6-S	ADAPTER, 37° MALE TO SWIVEL ORFS	49613	PKT06276	PLUG AND CAP KIT-SERVICE,ORFS
48973	12-1/2 F5OG-S	ADAPTER,FEMALE PIPE TO STRAIGHT THREAD	49728	10143-12-12	HOSE END, MALE PIPE
48974	12-10 C5OLO-S	ELBOW,90°,STRAIGHT THREAD TO ORFS	49729	16-1 F5OG-S	ADAPTER,FEMALE PIPE TO STRAIGHT THREAD
48975	12-10 F5OLO-S	CONNECTOR,STRAIGHT THREAD TO ORFS	49814	12-8 FLO-S	CONNECTOR,MALE PIPE TO ORFS
48976	12-16 C5OLO-S	ELBOW,90°,STRAIGHT THREAD TO ORFS	49829	DT-500-MOMF-5	VALVE,CHECK
48977	12-16 F5OLO-S	CONNECTOR,STRAIGHT THREAD TO ORFS	49831	881-12	HOSE,3/4 INCH ID
48978	12-16 V5OLO-S	ELBOW,45°,STRAIGHT THREAD TO ORFS	49834	16 JLO-S	UNION TEE,ORFS
48980	12-16 FLO-S	CONNECTOR,MALE PIPE TO ORFS	49838	12-8 TRLO-BL-S	REDUCER,TUBE END TO SWIVEL,ORFS
48983	16 C5OLO-S	ELBOW,90°,STRAIGHT THREAD TO ORFS	49840	8 JLO-S	UNION TEE,ORFS
48984	16 F5OLO-S	CONNECTOR,STRAIGHT THREAD TO ORFS	49844	10-8 TRLO-BL-S	REDUCER,TUBE END TO SWIVEL,ORFS
48985	16 V5OLO-S	ELBOW,45°,STRAIGHT THREAD TO ORFS	49854	8 P5ON-S	PLUG,STRAIGHT THREAD
48986	16 FLO-S	CONNECTOR,MALE PIPE TO ORFS	49855	1JC43-16-12	HOSE END,FEMALE SWIVEL,SEAL LOK
48988	16 CD45-S	ELBOW,45°,MALE TO FEMALE PIPE	49859	4 P5ON-S	PLUG,STRAIGHT THREAD
48989	12 CD45-S	ELBOW,45°,MALE TO FEMALE PIPE	49861	4 FF5OLO-S	CONNECTOR,LONG,STRAIGHT THREAD TO ORFS
48990	8 CD45-S	ELBOW,45°,MALE TO FEMALE PIPE	49867	12-3/4 F5OG-S	ADAPTER,FEMALE PIPE TO STRAIGHT THREAD
48991	16-12 FLO-S	CONNECTOR,MALE PIPE TO ORFS	51152	6 R6X-S	RUN TEE,SWIVEL NUT,ORFS
48992	16-12 V5OLO-S	ELBOW,45°,STRAIGHT THREAD TO ORFS	51153	6-4 TRTX-S	REDUCER,TUBE END TO SWIVEL,ORFS
48993	XV501-12	BALL VALVE	51154	4-4 GTX	CONNECTOR,FEMALE PIPE TO FLARE TUBE
48994	XV501-16	BALL VALVE	51264	881-12	HOSE,3/4 INCH ID
48995	XV510P-12	BALL VALVE	51265	8 JLO-S	UNION TEE,ORFS
48996	XV510P-16	BALL VALVE	51508	6 BTX-S	NUT,FLARE TUBE
48997	PD341	DIAGNOSTIC NIPPLE, STRAIGHT THREAD	51580	12-8 TRLO-BL-S	TUBE END REDUCER,ORFS
48998	PD 361	DIAGNOSTIC NIPPLE, STRAIGHT THREAD	51628	6 R6X-S	RUN TEE,SWIVEL NUT,ORFS
48999	DT-500-MOMS-5	VALVE,CHECK	51735	3/8 HHP	PLUG,PIPE THREAD
49201	10 V5OLO-S	ELBOW,45°,STRAIGHT THREAD TO ORFS	51803	1J943-6-8	HOSE END,90° FEMALE SWIVEL,SEAL LOK
49202	1JC43-12-10	HOSE END,FEMALE SWIVEL,SEAL LOK	53023	125HBL-5-4	FITTING,HOSE BARB TO MALE PIPE
49203	10-8 V5OLO-S	ELBOW,45°,STRAIGHT THREAD TO ORFS	53497	PKT02585	O-RING KIT
49205	6 F5OHAO-S	UNION,STRAIGHT THREAD	53499	1JC71-16-16	HOSE END,FEMALE SWIVEL,SEAL LOK
49207	PD34BTL	DIAGNOSTIC NIPPLE,SEAL-LOK SWIVEL	53500	3-904	O-RING,STRAIGHT THREAD,-4
49209	8M18F870MX-S	CONNECTOR,METRIC,STRAIGHT THREAD TO FLARE TUBE	53501	3-906	O-RING,STRAIGHT THREAD,-6
49212	8 WGTX-WLN-S	CONNECTOR,BULKHEAD,FEMALE PIPE TO FLARE TUBE	53502	3-908	O-RING,STRAIGHT THREAD,-8
49213	30682-8-8	HOSE END,FEMALE SWIVEL,JIC	53503	3-910	O-RING,STRAIGHT THREAD,-10
49216	831-8	HOSE,1/2 INCH ID			
49217	33982-8-8	HOSE END,90° FEMALE SWIVEL,JIC			
49219	PS-B-35	SLEEVE,NYLON,2.19" ID			
49418	4-6 V5OLO-S	ELBOW,45°,STRAIGHT THREAD TO ORFS			
49511	DT370-MOMS-5	VALVE,CHECK			
49512	1 DD-S	ELBOW,90°,FEMALE PIPE			
49513	1 FF-S	NIPPLE,PIPE			
49514	10 HP5ON-S	PLUG,STRAIGHT THREAD			
49515	12-16 CLO-S	ELBOW,90°,MALE PIPE TO ORFS			
49517	6 HP5ON-S	PLUG,STRAIGHT THREAD			
49519	16-12 F5OLO-S	CONNECTOR,STRAIGHT THREAD TO ORFS			
49520	4 VTX-S	ELBOW,45°,MALE PIPE TO FLARE TUBE			
49530	16 C6LO-S	ELBOW,90°,SWIVEL NUT ORFS			

Fitting Cross References (Continued)

Genie PN	Parker PN	Description	Genie PN	Parker PN	Description
53535	3-912	O-RING, STRAIGHT THREAD, -12	61083	24 F5OLO-S	CONNECTOR, STRAIGHT THREAD TO ORFS
53536	4-PNLO-S	PLUG, TUBE END, ORFS	61086	20 R5OLO-S	RUN TEE, STRAIGHT THREAD
53537	6 PNLO-S	PLUG, TUBE END, ORFS	61090	24-20 F5OLO-S	CONNECTOR, STRAIGHT THREAD TO ORFS
53538	8 PNLO-S	PLUG, TUBE END, ORFS	61091	1J943-24-24	HOSE END, 90° FEMALE SWIVEL, SEAL LOK
53539	10 PNLO-S	PLUG, TUBE END, ORFS	61093	1J978-12-12	HOSE END, 90° FEMALE SWIVEL, JIC
53540	12 PNLO-S	PLUG, TUBE END, ORFS	61095	1JS43-20-16	HOSE END, FEMALE SWIVEL, SEAL LOK
53946	129HB-5-4	FITTING, 90° HOSE BARB TO MALE PIPE	61100	811-24	HOSE, 1 1/2 INCH ID
53951	8-1/4F50G-S	ADAPTER, FEMALE PIPE TO STRAIGHT THREAD	61130	1JS43-24-24	HOSE END, FEMALE SWIVEL, SEAL LOK
53980	6 S6LO-S	BRANCH TEE, SWIVEL NUT TO ORFS	61131	1JS78-12-12	HOSE END, FEMALE SWIVEL, SEAL LOK
54132	4 C6LO-S	ELBOW, 90°, SWIVEL NUT ORFS	61132	1J778-12-12	HOSE END, 45° FEMALE SWIVEL, JIC
54135	11343-16-16	HOSE END, MALE SWIVEL, PIPE	61152	139HB-6-4	ELBOW, 45°, BARB TO MALE PIPE
54283	8-10 C5OLO-S	ELBOW, 90°, STRAIGHT THREAD TO ORFS	61251	BV-0750	BALL VALVE
54428	8M18C870MLO-S	ELBOW, 90° METRIC, STRAIGHT THREAD TO ORFS	61259	4 CC5OLO-S	ELBOW, 90° LONG, STRAIGHT THREAD TO ORFS
54803	FS-F-16-10	SLEEVE, FIRE, .96" ID	61260	20-12 TRLO-BL	REDUCER, TUBE END TO SWIVEL, ORFS
54954	10143-2-4	HOSE END, MALE PIPE	61262	12 C6LO-S	ELBOW, 90°, SWIVEL NUT ORFS
55190	3/8 HP-S	PLUG, PIPE THREAD	61263	20 F5OHAO-S	UNION, STRAIGHT THREAD
55448	8 HLO-S	UNION, ORFS	61264	6-10 C5OLO-S	ELBOW, 90°, STRAIGHT THREAD TO ORFS
55839	6 F65OX-S	CONNECTOR, STRAIGHT THREAD TO 37° SWIVEL	61265	6 WNLO-WLNL-S	UNION, BULKHEAD 45°, ORFS
55968	10 C5OX-S	ELBOW, 90°, STRAIGHT THREAD TO FLARE TUBE	61268	4 WNLO-WLNL-S	UNION, BULKHEAD 45°, ORFS
56003	6 CC5OLO-S	ELBOW, 90° LONG, STRAIGHT THREAD TO ORFS	61269	4 WLO-WLNL-S	UNION, BULKHEAD, ORFS
56166	BV-0837	BALL VALVE, 90°	61272	12 AOEL6	ELBOW, 90°, STRAIGHT THREAD TO ORFS SWIVEL
56188	10143-8-6	HOSE END, MALE PIPE	61316	482TC-16	HOSE, 1 INCH ID
56233	2-011	O-RING, ORFS, -4	61321	6 JLO-S	UNION TEE, ORFS
56234	2-012	O-RING, ORFS, -6	61327	782-12	HOSE, 3/4 INCH ID
56235	2-014	O-RING, ORFS, -8	61328	881-24	HOSE, 1 1/2 INCH ID
56236	2-016	O-RING, ORFS, -10	61336	11943-20-24	HOSE END, 90° FLANGE HEAD
56237	2-018	O-RING, ORFS, -12	61345	12 WJLO-WLNL-S	RUN TEE, BULKHEAD, ORFS
56238	2-021	O-RING, ORFS, -16	61346	8 WNLO-WLNL-S 4	UNION, BULKHEAD 45°, ORFS
56352	6 WLNL-S	LOCKNUT, BULKHEAD	61569	33782-8-8	HOSE END, 45° FEMALE SWIVEL, JIC
56353	3J782-12-12	HOSE END, 45° FEMALE SWIVEL, SEAL LOK	61610	12 FF5OLO-S	CONNECTOR, LONG, STRAIGHT THREAD TO ORFS
56354	3J982-12-12	HOSE END, 90° FEMALE SWIVEL, SEAL LOK	61742	1/8 X 1.5 FFF	NIPPLE, PIPE
56604	10-8 F5OLO-S	CONNECTOR, STRAIGHT THREAD TO ORFS	63426	8 PNTX-S	PLUG, FLARE TUBE
56639	3JC82-10-10	HOSE END, FEMALE SWIVEL, SEAL LOK			
56640	3J982-10-10	HOSE END, 90° FEMALE SWIVEL, SEAL LOK			
56655	3JC82-8-10	HOSE END, FEMALE SWIVEL, SEAL LOK			
56676	10-8 C5OLO-S	ELBOW, 90°, STRAIGHT THREAD TO ORFS			
56776	471TC-6	HOSE, 3/8 INCH ID			
56777	471TC-8	HOSE, 1/2 INCH ID			
56789	811-16	HOSE, 1 INCH ID			
57884	3/8 FF	NIPPLE, PIPE			
59335	6 FNL-S	CAP, TUBE END			
59342	4 FNL-S	CAP, TUBE END			
59371	8 HP5ON-S	PLUG, STRAIGHT THREAD			
60653	BV-0751	BALL VALVE			
60806	125HB-3-4	FITTING, HOSE BARB TO MALE PIPE			
61064	5-1/4 F50G-S	ADAPTER, FEMALE PIPE TO STRAIGHT THREAD			
61079	4 WELO-WLNL-S	UNION, 90° BULKHEAD W/NUT, ORFS			
61080	6 WLO-WLNL-S	UNION, BULKHEAD, ORFS			

Fitting Cross References (Continued)

Genie PN	Parker PN	Description
64271	4 WLO-WLNL-S	UNION,BULKHEAD,ORFS
64272	6 WLO-WLNL-S	UNION,BULKHEAD,ORFS
65776	8 F65OL-S	CONNECTOR,STRAIGHT THREAD TO ORFS SWIVEL
65880	6001012	O-RING KIT
66154	6 WTX-WLNS	UNION,BULKHEAD,FLARE TUBE
66155	6 WETX-S	UNION,BULKHEAD 90°,FLARE TUBE
66156	6 WLN-S	BULKHEAD LOCKNUT
66389	6-8 F5OX-S	CONNECTOR,STRAIGHT THREAD TO FLARE TUBE
66392	6 R5OX-S	RUN TEE,STRAIGHT THREAD
66396	811-12	HOSE,3/4 INCH ID
66829	H3174PP	CLAMP,TUBE
67217	4 KLO-S	UNION,CROSS,ORFS
67339	10-6 F5OX-S	CONNECTOR,STRAIGHT THREAD TO FLARE TUBE
67357	13943-8-6	HOSE END,90° FEMALE SWIVEL,JIC
67358	10 HP5ON-S	PLUG,STRAIGHT THREAD
67371	12 S6LO-S	BRANCH TEE,SWIVEL NUT TO ORFS
67498	4 FNL-S	CAP, TUBE END
67906	DC-370-F0F0-5	VALVE,CHECK
69316	8 FLO-S	CONNECTOR,MALE PIPE TO ORFS
69333	H3174PP	CLAMP,HYDRAULIC HOSE
69503	4 F65OX-S	CONNECTOR,STRAIGHT THREAD TO 37° SWIVEL
69775	8 FNL-S	CAP, TUBE END
71038	1/4X1/4F3HG-S	ADAPTER,CONVERSION
71196	12-8 F5OLO-S	CONNECTOR,STRAIGHT THREAD TO ORFS
71383	1/4 CD45-S	ELBOW,45°,MALE TO FEMALE PIPE
72270	12FNL-S	CAP, TUBE END
73436	60C-4	SLEEVE,COMPRESSION
73437	61C-4	NUT,COMPRESSION
73438	33482-4-4B	HOSE END,PUSH LOK,MALE
73767	1CD-S	ELBOW,90°,MALE TO FEMALE PIPE
73768	20-16-F5OG5-S	ADAPTER,FEMALE PIPE TO STRAIGHT THREAD
73769	16-20 F5OLO-S	CONNECTOR,STRAIGHT THREAD TO ORFS
74660	6-8 F42EDMLO-S	CONNECTOR,MALE BSPP TO ORFS
74661	8-8 F42EDMLO-S	CONNECTOR,MALE BSPP TO ORFS
75007	4 FLO-S	CONNECTOR,MALE PIPE TO ORFS
75008	1/8 HP-S	PLUG,PIPE THREAD
75014	1/2 HP-S	PLUG,PIPE THREAD
75042	8 WELO-WLNL-S	UNION,90° BULKHEAD W/NUT,ORFS
75043	3/4 FF-S	NIPPLE,PIPE
75254	24 F5OHAO-S	UNION,STRAIGHT THREAD
75255	12 F5OHAO-S	UNION,STRAIGHT THREAD
75256	XV506P-24	BALL VALVE
75574	4 WLNL-S	BULKHEAD LOCKNUT
75612	8 WJLO-WLNL-S	RUN TEE, BULKHEAD,ORFS
75613	12-8 F5OG5-S	ADAPTER,FEMALE PIPE TO STRAIGHT THREAD
75614	8 CC5OLO-S	ELBOW,90° LONG,STRAIGHT THREAD TO ORFS
75628	1JB43-4-4	HOSE END,BULKHEAD,SEAL LOK

Genie PN	Parker PN	Description
75631	801-6	HOSE,3/8 INCH ID
75654	20 F5OLO-S	CONNECTOR,STRAIGHT THREAD TO ORFS
75655	1J943-20-20	HOSE END,90° FEMALE SWIVEL,SEAL LOK
75656	881-20	HOSE,1-1/4 INCH ID
75971	8 F5OHAO-S	UNION,STRAIGHT THREAD
77307	1JB43-8-8	HOSE END,BULKHEAD,SEAL LOK
77309	8 WLNL-S	BULKHEAD LOCKNUT
77379	8M18C87OMX-S	ELBOW,90° METRIC,STRAIGHT THREAD TO FLARE TUBE
77703	3J982-8-8	HOSE END,90° FEMALE SWIVEL,SEAL LOK
77711	801-10	HOSE,5/8 INCH ID
77758	12 WNLO-WLNL-S	UNION,BULKHEAD 45°,ORFS
78091	6 C6X-S	ELBOW,90°,SWIVEL NUT TO FLARE TUBE
78684	30582-8-8B	HOSE END,PUSH LOK,MALE
78852	549-2	HOSE,1/8 INCH ID
78855	10657-4-2	HOSE END,FEMALE SWIVEL,JIC
79138	PS-B-37	SLEEVE,NYLON,2.38" ID
79476	1JS43-6-8	HOSE END,FEMALE SWIVEL,SEAL LOK
79847	12-3/4 A0EG-S	ELBOW,90°,STRAIGHT THREAD TO FEMALE PIPE
80044	8 CLO-S	ELBOW,90°,MALE PIPE TO ORFS
80502	8 F5OX-S	CONNECTOR,STRAIGHT THREAD TO FLARE TUBE
80503	8 C5OX-S	ELBOW,90°,STRAIGHT THREAD TO FLARE TUBE
81010	AS-B-27	SLEEVE,NYLON,1.63" ID
83052	821-6	HOSE,3/8 INCH ID
83053	821-8	HOSE,1/2 INCH ID
83054	821-12	HOSE,3/4 INCH ID
83055	30682-6-6	HOSE END,FEMALE SWIVEL,JIC
83056	30682-12-12	HOSE END,FEMALE SWIVEL,JIC
83057	33782-6-6	HOSE END,45° FEMALE SWIVEL,JIC
83058	33982-6-6	HOSE END,90° FEMALE SWIVEL,JIC
83060	33982-12-12	HOSE END,90° FEMALE SWIVEL,JIC
83063	13743-4-4	HOSE END,45° FEMALE SWIVEL,JIC

Fitting Cross References (Continued)

Genie PN	Parker PN	Description	Genie PN	Parker PN	Description
83064	13743-8-8	HOSE END,45° FEMALE SWIVEL,JIC	89449	6 WJLO-WLNL-S	RUN TEE, BULKHEAD,ORFS
83065	13743-12-12	HOSE END,45° FEMALE SWIVEL,JIC	89489	4 WJMLO-S	BRANCH TEE,BULKHEAD,ORFS
83066	13943-8-8	HOSE END,90° FEMALE SWIVEL,JIC	89551	1JB43-6-6	HOSE END,BULKHEAD,SEAL LOK
83067	14143-6-6	HOSE END,90° FEMALE SWIVEL,JIC	89552	1JB43-8-8	HOSE END,BULKHEAD,SEAL LOK
83068	14143-8-8	HOSE END,90° FEMALE SWIVEL,JIC	89593	20 C5OLO-S	ELBOW,90°,STRAIGHT THREAD TO ORFS
83069	14143-12-12	HOSE END,90° FEMALE SWIVEL,JIC	94161	8-8 CLO-S	ELBOW,90°,MALE PIPE TO ORFS
83070	772-8	HOSE,1/2 INCH ID	94358	351TC-12	HOSE,3/4 INCH ID
83071	10671-8-8	HOSE END,FEMALE SWIVEL,JIC	94418	20 FLO-S	CONNECTOR,MALE PIPE TO ORFS
83072	10671-12-12	HOSE END,FEMALE SWIVEL,JIC	96358	12 TX-S	SLEEVE,FLARE TUBE
83073	13771-8-8	HOSE END,45° FEMALE SWIVEL,JIC	96359	12 BTX-S	NUT,FLARE TUBE
83074	13771-12-12	HOSE END,45° FEMALE SWIVEL,JIC	96397	8 F5OX-S	CONNECTOR,STRAIGHT THREAD TO FLARE TUBE
83075	13971-8-8	HOSE END,90° FEMALE SWIVEL,JIC	96398	12-8 F5OX-S	CONNECTOR,STRAIGHT THREAD TO FLARE TUBE
83076	13971-12-12	HOSE END,90° FEMALE SWIVEL,JIC	96402	10343-6-6	HOSE END,MALE,JIC
83077	14171-8-8	HOSE END,90° FEMALE SWIVEL,JIC	96407	30382-6-6B	HOSE END,MALE,JIC
83078	14171-12-12	HOSE END,90° FEMALE SWIVEL,JIC			
83080	13943-16-16	HOSE END,90° FEMALE SWIVEL,JIC			
83103	10671-16-12	HOSE END,FEMALE SWIVEL,JIC			
83104	10671-10-12	HOSE END,FEMALE SWIVEL,JIC			
83112	1JC71-8-8	HOSE END,FEMALE SWIVEL,SEAL LOK			
83113	1JS71-16-12	HOSE END,FEMALE SWIVEL,SEAL LOK			
83114	1JS71-10-12	HOSE END,FEMALE SWIVEL,SEAL LOK			
83115	1J971-8-8	HOSE END,90° FEMALE SWIVEL,SEAL LOK			
83116	1J171-8-8	HOSE END,90° FEMALE SWIVEL,SEAL LOK			
83117	1J771-8-8	HOSE END,45° FEMALE SWIVEL,SEAL LOK			
83127	1J543-6-8	HOSE END,90° FEMALE SWIVEL,JIC			
83128	1JC43-6-8	HOSE END,FEMALE SWIVEL,SEAL LOK			
87033	12-6 TRLO-S	REDUCER,TUBE END TO SWIVEL,ORFS			
87034	3J782-8-8	HOSE END,45° FEMALE SWIVEL,SEAL LOK			
87172	12 HP5ON-S	PLUG,STRAIGHT THREAD			
87185	8 WNLO-WLNL-S	UNION,BULKHEAD 45°,ORFS			
87246	4 C6X-S	ELBOW,90°,SWIVEL NUT TO FLARE TUBE			
87679	6 LHP-S	FLANGE SEAL FITTING, MALE			
87681	6PLS N0702	BONDED SEAL			
88100	SR88100	ADAPTER,OIL DRAIN,GM 3.0L			
88311	1JS43-20-20	HOSE END,FEMALE SWIVEL,SEAL LOK			
88353	20 V5OLO-S	ELBOW,45°,STRAIGHT THREAD TO ORFS			
88474	10081-20	Crimp Shell, 1.25"			
88475	1988-20-24	HOSE END,90° FLANGE HEAD			
88476	JS88-24-24	HOSE END,FEMALE SWIVEL,SEAL LOK			
88477	1JC88-20-20	HOSE END,FEMALE SWIVEL,SEAL LOK			
88478	811-20	HOSE,11/4 INCH ID			
88936	20-16 F5OLO-S	CONNECTOR,STRAIGHT THREAD TO ORFS			
88937	20-16 FLO-S	CONNECTOR,MALE PIPE TO ORFS			
88938	1JC88-16-16	HOSE END,FEMALE SWIVEL,SEAL LOK			
88939	1J988-16-16	HOSE END,90° FEMALE SWIVEL,ORFS			
88940	811-16	HOSE,1 INCH ID			
88944	1J988-20-20	HOSE END,90° FEMALE SWIVEL,ORFS			
89403	16 VLO-S	ELBOW,45°,MALE PIPE TO ORFS			

California Proposition 65

Warning

The exhaust from this product contains chemicals known to the State of California to cause cancer, birth defects or other reproductive harm.

Genie North America

Phone 425.881.1800
Toll Free USA and Canada
800.536.1800
Fax 425.883.3475

Genie Australia Pty Ltd.

Phone +61 7 3375 1660
Fax +61 7 3375 1002

Genie China

Phone +86 21 53852570
Fax +86 21 53852569

Genie Malaysia

Phone +65 98 480 775
Fax +65 67 533 544

Genie Japan

Phone +81 3 3453 6082
Fax +81 3 3453 6083

Genie Korea

Phone +82 25 587 267
Fax +82 25 583 910

Genie Brasil

Phone +55 11 41 665 755
Fax +55 11 41 665 754

Genie Holland

Phone +31 183 581 102
Fax +31 183 581 566

Genie Scandinavia

Phone +46 31 575100
Fax +46 31 579020

Genie France

Phone +33 (0)2 37 26 09 99
Fax +33 (0)2 37 26 09 98

Genie Iberica

Phone +34 93 579 5042
Fax +34 93 579 5059

Genie Germany

Phone +49 (0)4202 88520
Fax +49 (0)4202 8852-20

Genie U.K.

Phone +44 (0)1476 584333
Fax +44 (0)1476 584334

Genie Mexico City

Phone +52 55 5666 5242
Fax +52 55 5666 3241

Distributed By:

Parts Manual

GS-2669DC, GS-3369DC

GS-4069DC

from SN GS6912-1300

Part No.
237928

Rev C4

Genie
A TEREX BRAND